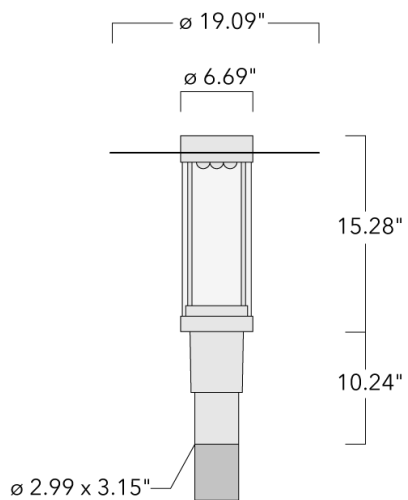


# ZAT430 LED

## Street and Area Lighting

**we-ef**



### Description

IP66. Class I. IK09. Marine-grade, die-cast aluminum alloy. 5CE superior corrosion protection including PCS hardware. Silicone CCG® Controlled Compression Gasket. PMMA main lens. CAD-optimized optics for superior illumination and glare control. Integral driver in thermally separated compartment. OLC® One LED Concept. Factory-installed LED circuit board. 0-10V Dimming comes standard with luminaire. Luminaire is factory-sealed and does not need to be opened during installation.

Recommended mounting height 10-20 ft.

Specify product with 7 Digit product code - Finish Color. Accessories, such as mounting, optical, and electrical, must be specified separately.





Example: XXX-XXXX-9004 (Black)  
+ XXX-XXXX (Accessory 1)

### WE-EF LIGHTING USA, LLC

410-D Keystone Drive, 15086 Warrendale, PA 15086 - Phone: +1 724 742 0030  
customersupport.usa@we-ef.com - <https://we-ef.com/us>  
Subject to technical changes and errors. - Generated on 11/23/2024

**Specifications****Material description**

---

Body	Marine-grade, die-cast aluminium alloy
Lens	PMMA
Colors	 RAL9004 Black  RAL9007 Grey Metallic  RAL9016 White  RAL8019 Dark Bronze
Gasket	Silicone CCG® Controlled Compression Gasket
Fasteners	PCS Polymer Coated Stainless Steel Hardware
Ingress protection	IP66
Impact resistance	IK09
Corrosion resistance	5CE
Windage	0.130 m <sup>2</sup>

---

**Electrical description**

---

Power supply	Integral [ECG] LED driver in 120-277V
Driver / Ballast	Integral EC electronic converter
Power factor	> 0.9

---

**Additional information**

---

Lifetime	Ta=25°/40° L90B10 > 90000h
Listings	ETL, UL-1598, CSA-C22.2#250.0. Suitable for Wet Locations

---

# ZAT430 LED

## Street and Area Lighting

### Options

#### Light distribution



[R65] Type IV Medium



[S65] Type III Medium

#### Color temperature



2700 K



3000 K



4000 K

#### Nominal Watt

15 W

#### WE-EF LIGHTING USA, LLC

410-D Keystone Drive, 15086 Warrendale, PA 15086 - Phone: +1 724 742 0030  
customersupport.usa@we-ef.com - <https://we-ef.com/us>

Subject to technical changes and errors. - Generated on 11/23/2024

# ZAT430 LED

## Street and Area Lighting

### Configurations

Light distribution	Part ID	Light source	Rated lumens	Rated input power	CRI	Weight (lb)
	115-1670	LED-9/9W / 350 mA - 2700 K	999.2	11 W	80	16.98 lbs
	115-1671	LED-9/9W / 350 mA - 3000 K	1068.1	11 W	80	16.98 lbs
	115-1672	LED-9/9W / 350 mA - 4000 K	1171.5	11 W	80	16.98 lbs
	115-1673	LED-9/18W / 700 mA - 2700 K	1860.6	20 W	80	16.98 lbs
	115-1674	LED-9/18W / 700 mA - 3000 K	1998.5	20 W	80	16.98 lbs
	115-1675	LED-9/18W / 700 mA - 4000 K	2136.3	20 W	80	16.98 lbs
	115-1676	LED-9/27W / 1050 mA - 2700 K	2825.4	30 W	80	16.98 lbs
	115-1677	LED-9/27W / 1050 mA - 3000 K	2963.2	30 W	80	16.98 lbs
	115-1678	LED-9/27W / 1050 mA - 4000 K	3101	30 W	80	16.98 lbs
	115-1679	LED-9/9W / 350 mA - 2700 K	968.9	11 W	80	16.98 lbs
	115-1680	LED-9/9W / 350 mA - 3000 K	1035.7	11 W	80	16.98 lbs
	115-1681	LED-9/9W / 350 mA - 4000 K	1136	11 W	80	16.98 lbs
	115-1682	LED-9/18W / 700 mA - 2700 K	1804.2	20 W	80	16.98 lbs
	115-1683	LED-9/18W / 700 mA - 3000 K	1937.8	20 W	80	16.98 lbs
	115-1684	LED-9/18W / 700 mA - 4000 K	2071.5	20 W	80	16.98 lbs
	115-1685	LED-9/27W / 1050 mA - 2700 K	2739.7	30 W	80	16.98 lbs
	115-1686	LED-9/27W / 1050 mA - 3000 K	2873.3	30 W	80	16.98 lbs

#### WE-EF LIGHTING USA, LLC

410-D Keystone Drive, 15086 Warrendale, PA 15086 - Phone: +1 724 742 0030

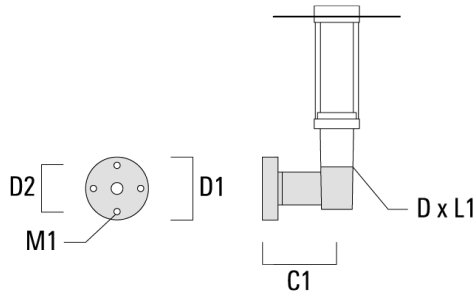
customersupport.usa@we-ef.com - <https://we-ef.com/us>

Subject to technical changes and errors. - Generated on 11/23/2024

**Mounting Accessories**

**Wall and pole brackets RZ**

Description	Part ID	C1	D1	D2	D x L1	M1	Weight (lb)
RZ0-400 Wall bracket, single	115-1324	10.90"	9.1"	7.67"	3" x 3"	0.47"	7.72 lbs



RZ2-400 Pole bracket, double	115-1323	10.16"			3" x 3"		10.80 lbs
------------------------------	----------	--------	--	--	---------	--	-----------

