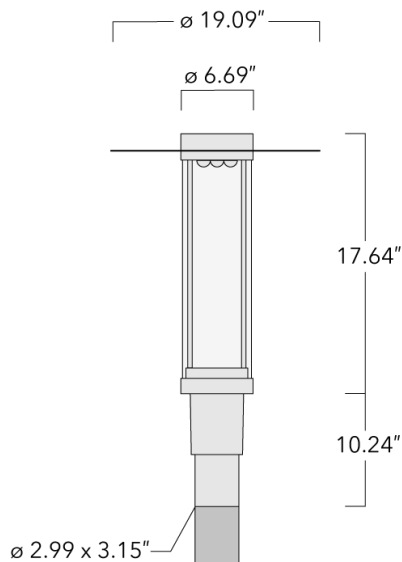


ZAT440 LED

Street and Area Lighting

we-ef



Description





IP66, Class I. IK09. Marine-grade, die-cast aluminium alloy. 5CE superior corrosion protection including PCS hardware. Silicone CCG® Controlled Compression Gasket. PMMA main lens. Integral EC electronic converter in thermally separated compartment. CAD-optimised OLC® One LED Concept optics for superior illumination and glare control. Factory installed LED circuit board. The luminaire is factory-sealed and does not need to be opened during installation.

Optional 2200 K version available. To be specified at time of ordering.

WE-EF LIGHTING USA, LLC

410-D Keystone Drive, 15086 Warrendale, PA 15086 - Phone: +1 724 742 0030
customersupport.usa@we-ef.com - <https://we-ef.com/us>
Subject to technical changes and errors. - Generated on 11/23/2024

Specifications**Material description**

Body	Marine-grade, die-cast aluminium alloy
Lens	PMMA
Colors	 RAL9004 Black  RAL9007 Grey Metallic  RAL9016 White  RAL8019 Dark Bronze
Gasket	Silicone CCG® Controlled Compression Gasket
Fasteners	PCS Polymer Coated Stainless Steel Hardware
Ingress protection	IP66
Impact resistance	IK09
Corrosion resistance	5CE
Windage	0.160 m ²

Electrical description

Power supply	Integral [ECG] LED driver in 120-277V
Driver / Ballast	Integral EC electronic converter
Power factor	> 0.9

Additional information

Lifetime	Ta=25°/40° L90B10 > 90000h
Listings	Contact WE-EF USA for ETL/UL certification status.

ZAT440 LED

Street and Area Lighting

Options

Light distribution



[R65] Type IV Medium



[S65] Type III Medium

Color temperature



2700 K



3000 K



4000 K

Nominal Watt

15 W

WE-EF LIGHTING USA, LLC

410-D Keystone Drive, 15086 Warrendale, PA 15086 - Phone: +1 724 742 0030
customersupport.usa@we-ef.com - <https://we-ef.com/us>

Subject to technical changes and errors. - Generated on 11/23/2024

ZAT440 LED

Street and Area Lighting

Configurations

Light distribution	Part ID	Light source	Rated lumens	Rated input power	CRI	Weight (lb)
	115-1712	LED-9/9W / 350 mA - 2700 K	1024.5	11 W	80	17.41
	115-1713	LED-9/9W / 350 mA - 3000 K	1095.2	11 W	80	17.41
	115-1714	LED-9/9W / 350 mA - 4000 K	1201.2	11 W		17.41
	115-1715	LED-9/18W / 700 mA - 2700 K	1907.7	20 W	80	17.41
	115-1716	LED-9/18W / 700 mA - 3000 K	2049	20 W	80	17.41
	115-1717	LED-9/18W / 700 mA - 4000 K	2190.4	20 W	80	17.41
	115-1718	LED-9/27W / 1050 mA - 2700 K	2896.9	30 W	80	17.41
	115-1719	LED-9/27W / 1050 mA - 3000 K	3038.2	30 W	80	17.41
	115-1720	LED-9/27W / 1050 mA - 4000 K	3179.6	30 W	80	17.41
		115-1721	LED-9/9W / 350 mA - 2700 K	1000.3	11 W	80
115-1722		LED-9/9W / 350 mA - 3000 K	1069.3	11 W	80	17.41
115-1723		LED-9/9W / 350 mA - 4000 K	1172.8	11 W		17.41
115-1724		LED-9/18W / 700 mA - 2700 K	1862.7	20 W	80	17.41
115-1725		LED-9/18W / 700 mA - 3000 K	2000.7	20 W	80	17.41
115-1726		LED-9/18W / 700 mA - 4000 K	2138.7	20 W	80	17.41
115-1728		LED-9/27W / 1050 mA - 3000 K	2966.6	30 W	80	17.41
115-1729		LED-9/27W / 1050 mA - 4000 K	3104.5	30 W	80	17.41

WE-EF LIGHTING USA, LLC

410-D Keystone Drive, 15086 Warrendale, PA 15086 - Phone: +1 724 742 0030

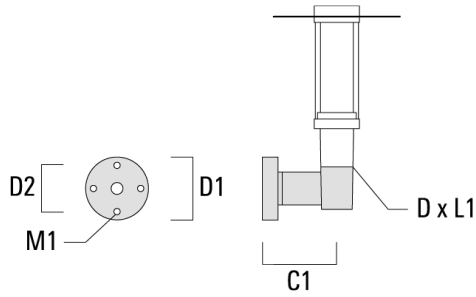
customersupport.usa@we-ef.com - <https://we-ef.com/us>

Subject to technical changes and errors. - Generated on 11/23/2024

Mounting Accessories

Wall and pole brackets RZ

Description	Part ID	C1	D1	D2	D x L1	M1	Weight (lb)
RZ0-400 Wall bracket, single	115-1324	10.90"	9.1"	7.67"	3" x 3"	0.47"	7.72 lbs



RZ2-400 Pole bracket, double	115-1323	10.16"			3" x 3"		10.80 lbs
------------------------------	----------	--------	--	--	---------	--	-----------

