

Description






Profile Projector [FP] for framing applications, polygon shape. Spherical and aspherical, double flat convex lens system. Tunable White Technology.

IP66, Class I. Class II on request. IK05. Marine-grade, die-cast aluminium alloy. 5CE superior corrosion protection including PCS hardware. Silicone CCG® Controlled Compression Gasket. Safety glass lens. One cable gland. Second gland for through wiring on request. Factory installed LED circuit board. Integral EC electronic converter in thermally-separated compartment. Glass LED lens array. DALI interface.

Projectors

Specifications

Material description

| | |
|----------------------|---|
| Body | Marine-grade, die-cast aluminium alloy |
| Lens | Safety glass lens |
| Colours |  RAL9004 Signal black  RAL9006 White aluminium  RAL9007 Grey aluminium  RAL7016 Anthracite grey  RAL9016 Traffic white |
| Gasket | Silicone CCG® Controlled Compression Gasket |
| Fasteners | PCS Polymer Coated Stainless Steel Hardware |
| Ingress protection | IP66 |
| Impact resistance | IK05 |
| Corrosion resistance | 5CE |

Electrical description

| | |
|------------------|---|
| Power supply | 220-240V / 50-60 Hz |
| Driver / Ballast | DALI (separate gearbox) |
| Power factor | > 0.9 |
| Surge protection | 6/6 kV (optional SP10 in separate gearbox, large) |

Additional information

| | |
|-------------------------|------------------------|
| Lifetime | Ta=25° L70B50 > 50000h |
| Energy efficiency class | E (Light source) |

FLC210-TW LED [FP]

Projectors

we-ef

Options

Light distribution



symmetric Framing-Projector [FP] - min aperture angle



symmetric Framing-Projector [FP] - max aperture angle

Colour temperature

2200-6000K

Nominal Watt



0 W

WE-EF LEUCHTEN GmbH

Töpinger Straße 16, 29646 Bispingen, Germany - Phone: +49 5194 909-0
info@we-ef.com - <https://we-ef.com>

Subject to technical changes and errors. - Generated on 23/11/2024

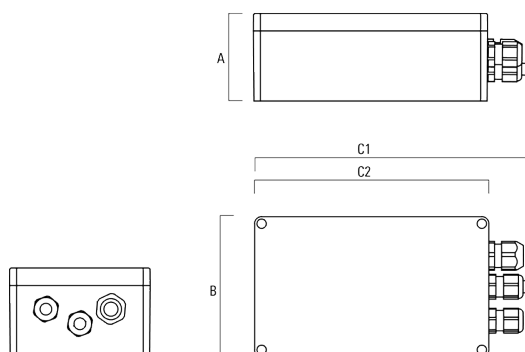
Configurations

| Light distribution | Part ID | Light source | Rated lumens | Rated input power | CRI | Weight (kg) |
|---|--------------|----------------------------------|--------------|-------------------|-----|-------------|
| symmetric Framing-Projector [FP] - max aperture angle  | 139-2494_max | LED-FT-10W / 250mA - 2200-6000 K | 514.9 | 12 W | 80 | 4 |
| symmetric Framing-Projector [FP] - min aperture angle  | 139-2494_min | LED-FT-10W / 250mA - 2200-6000 K | 343.1 | 12 W | 80 | 4 |

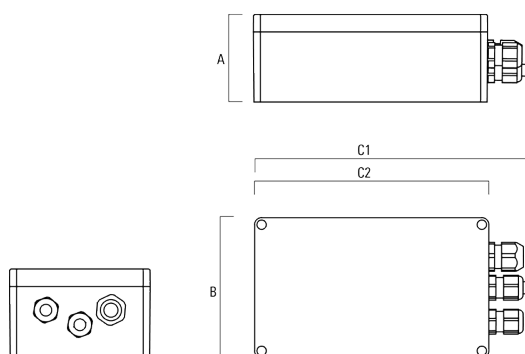
Electrical Accessories

Gear box

| Description | Part ID | A | B | C1 | C2 | Weight (kg) |
|----------------------------------|----------|----|-----|-----|-----|-------------|
| GB200 R200x120 gear box (medium) | 139-2526 | 75 | 120 | 229 | 200 | 1.05 |



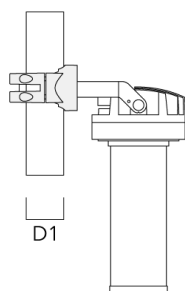
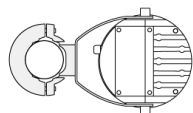
| | | | | | | |
|---------------------------------|----------|----|-----|-----|-----|------|
| GB200 R230x140 gear box (large) | 139-2527 | 95 | 140 | 259 | 230 | 1.20 |
|---------------------------------|----------|----|-----|-----|-----|------|



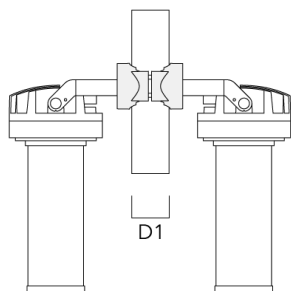
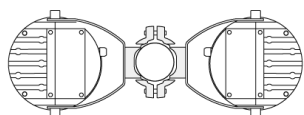
Mounting Accessories

Pole clamp PC

| Description | Part ID | D1 | Weight (kg) |
|---|----------|-------|-------------|
| PC1 76-89/60 Pole clamp, single (Ø 76-89) | 139-2702 | 76-89 | 1.00 |

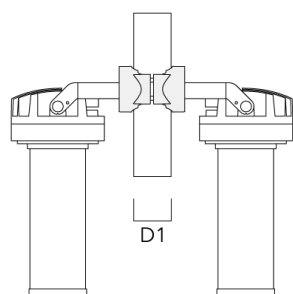
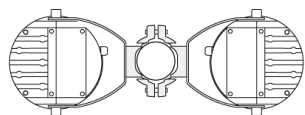


| | | | |
|---|----------|-------|------|
| PC2 76-89/60 Pole clamp, double (Ø 76-89) | 139-2703 | 76-89 | 1.00 |
|---|----------|-------|------|

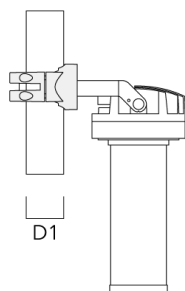
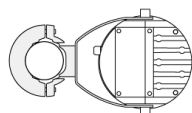


Projectors

| Description | Part ID | D1 | Weight (kg) |
|--|----------|--------|-------------|
| PC2 82-109/60 Pole clamp, double (Ø 82-109) | 139-2705 | 82-109 | 1.10 |

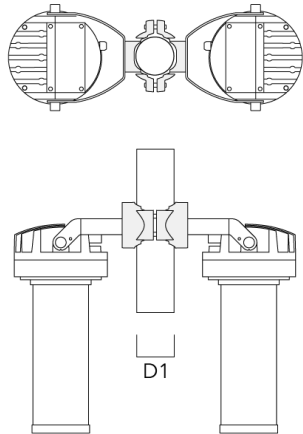


| | | | |
|--|----------|---------|------|
| PC1 102-114/60 Pole clamp, single (Ø 102-114) | 139-2706 | 102-114 | 1.20 |
|--|----------|---------|------|

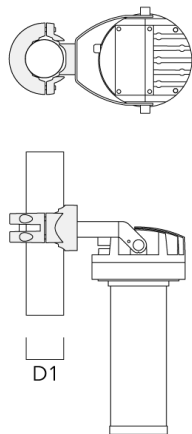


Projectors

| Description | Part ID | D1 | Weight (kg) |
|--|----------|---------|-------------|
| PC2 102-114/60 Pole clamp, double (Ø 102-114) | 139-2707 | 102-114 | 1.20 |



| | | | |
|--|----------|---------|------|
| PC1 114-133/60 Pole clamp, single (Ø 114-133) | 139-2708 | 114-133 | 1.40 |
|--|----------|---------|------|



Projectors

| Description | Part ID | D1 | Weight (kg) |
|--|----------|---------|-------------|
| PC2 114-133/60 Pole clamp, double (Ø 114-133) | 139-2709 | 114-133 | 1.40 |

