



### Description

Profile Projector [GP] for projection of gobos on a surface. Spherical and aspherical, double flat convex lens system. Gobo motif on request, to be ordered separately. Tunable White Technology.

IP66, Class I. Class II on request. IK05. Marine-grade, die-cast aluminium alloy. 5CE superior corrosion protection including PCS hardware. Silicone CCG® Controlled Compression Gasket. Safety glass lens. One cable gland. Second gland for through wiring on request. Integral EC electronic converter in thermally-separated compartment. Glass LED lens array. Factory installed LED circuit board. DALI interface.






Gobo outside diameter 46.6 mm, max. printable area  $d = 38$  mm.

## Projectors

### Specifications

#### Material description

---

|                      |   |
|----------------------|---|
| Body                 | Marine-grade, die-cast aluminium alloy  |
| Lens                 | Safety glass lens   |
| Colours              |  RAL9004 Signal black<br> RAL9006 White aluminium<br> RAL9007 Grey aluminium<br> RAL7016 Anthracite grey<br> RAL9016 Traffic white |
| Gasket               | Silicone CCG® Controlled Compression Gasket   |
| Fasteners            | PCS Polymer Coated Stainless Steel Hardware   |
| Ingress protection   | IP66  |
| Impact resistance    | IK05  |
| Corrosion resistance | 5CE   |

---

#### Electrical description

---

|                  |   |
|------------------|---|
| Power supply     | 220-240V / 50-60 Hz                               |
| Driver / Ballast | DALI (separate gearbox)                           |
| Power factor     | > 0.9   |
| Surge protection | 6/6 kV (optional SP10 in separate gearbox, large) |

---

#### Additional information

---

|                         |                        |
|-------------------------|------------------------|
| Lifetime                | Ta=25° L70B50 > 50000h |
| Energy efficiency class | E (Light source)       |

---

# FLC210-TW LED [GP]

## Projectors

**we-ef**

### Options

#### Light distribution



symmetric Gobo-Projector [GP] - min aperture angle



symmetric Gobo-Projector [GP] - max aperture angle

#### Colour temperature

2200-6000K

#### Nominal Watt



0 W

#### WE-EF LEUCHTEN GmbH

Töpinger Straße 16, 29646 Bispingen, Germany - Phone: +49 5194 909-0  
info@we-ef.com - <https://we-ef.com>

Subject to technical changes and errors. - Generated on 23/11/2024

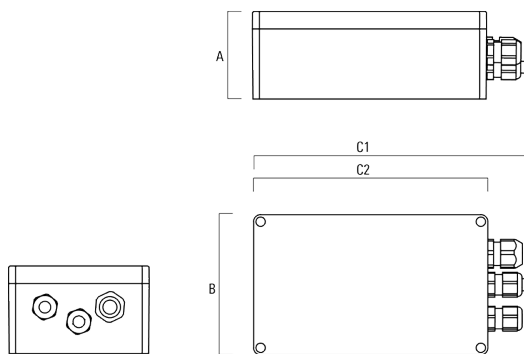
### Configurations

| Light distribution   | Part ID      | Light source                     | Rated lumens | Rated input power | CRI | Weight (kg) |
|--|--------------|----------------------------------|--------------|-------------------|-----|-------------|
| symmetric Gobo-Projector [GP] - max aperture angle<br> | 139-2493_max | LED-FT-10W / 250mA - 2200-6000 K | 514.9        | 12 W              | 80  | 4           |
| symmetric Gobo-Projector [GP] - min aperture angle<br> | 139-2493_min | LED-FT-10W / 250mA - 2200-6000 K | 181.8        | 12 W              | 80  | 4           |

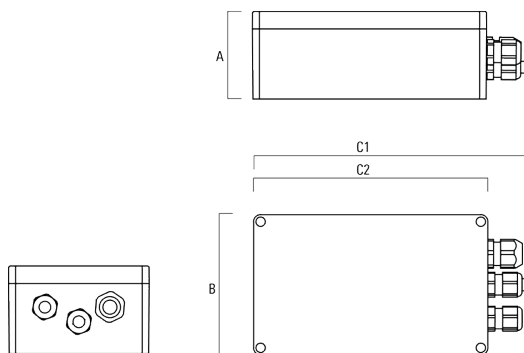
### Electrical Accessories

#### Gear box

| Description                      | Part ID  | A  | B   | C1  | C2  | Weight (kg) |
|----------------------------------|----------|----|-----|-----|-----|-------------|
| GB200 R200x120 gear box (medium) | 139-2526 | 75 | 120 | 229 | 200 | 1.05        |



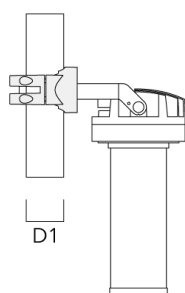
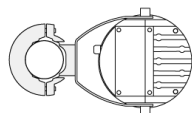
|                                 |          |    |     |     |     |      |
|---------------------------------|----------|----|-----|-----|-----|------|
| GB200 R230x140 gear box (large) | 139-2527 | 95 | 140 | 259 | 230 | 1.20 |
|---------------------------------|----------|----|-----|-----|-----|------|



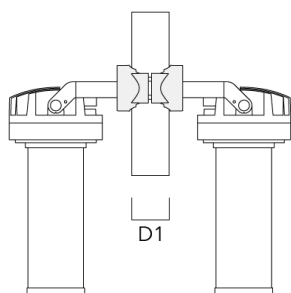
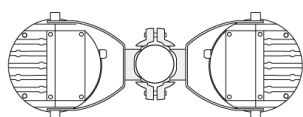
### Mounting Accessories

#### Pole clamp PC

| Description                               | Part ID  | D1    | Weight (kg) |
|---|----------|-------|-------------|
| PC1 76-89/60 Pole clamp, single (Ø 76-89) | 139-2702 | 76-89 | 1.00        |



|   |          |       |      |
|---|----------|-------|------|
| PC2 76-89/60 Pole clamp, double (Ø 76-89) | 139-2703 | 76-89 | 1.00 |
|---|----------|-------|------|

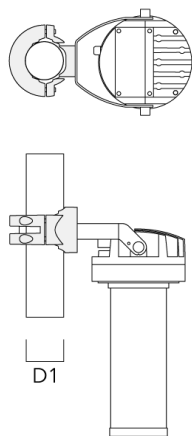


## Projectors

| Description                                    | Part ID  | D1     | Weight (kg) |
|--|----------|--------|-------------|
| PC2 82-109/60 Pole clamp, double<br>(Ø 82-109) | 139-2705 | 82-109 | 1.10        |

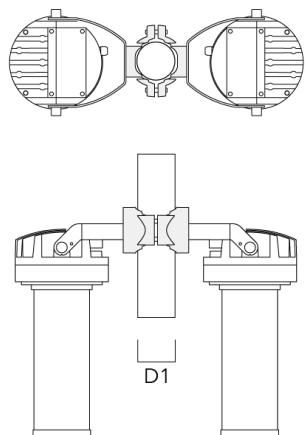


|  |          |         |      |
|--|----------|---------|------|
| PC1 102-114/60 Pole clamp, single<br>(Ø 102-114) | 139-2706 | 102-114 | 1.20 |
|--|----------|---------|------|

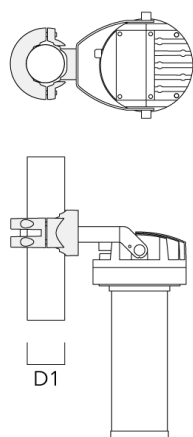


## Projectors

| Description                                      | Part ID  | D1      | Weight (kg) |
|--|----------|---------|-------------|
| PC2 102-114/60 Pole clamp, double<br>(Ø 102-114) | 139-2707 | 102-114 | 1.20        |



|  |          |         |      |
|--|----------|---------|------|
| PC1 114-133/60 Pole clamp, single<br>(Ø 114-133) | 139-2708 | 114-133 | 1.40 |
|--|----------|---------|------|



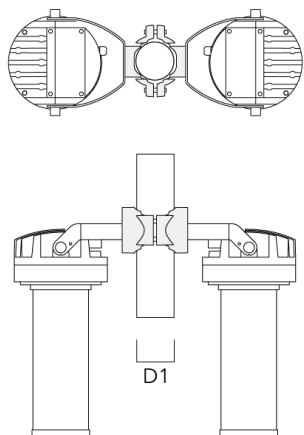


## Projectors

---

| Description                                      | Part ID  | D1      | Weight (kg) |
|--|----------|---------|-------------|
| PC2 114-133/60 Pole clamp, double<br>(Ø 114-133) | 139-2709 | 114-133 | 1.40        |

---



## Projectors

## Optical Accessories

### Gobo cartridge

| Description                    | Part ID  |
|--------------------------------|----------|
| Gobo cartridge for FLC210 [GP] | 139-2858 |