

### Description

Tunable white projector. Profile Projector [GP] for projection of gobos on a surface. Spherical and aspherical, double flat convex lens system. Gobo motif on request, to be ordered separately. Tunable White Technology.

IP66, Class III. IK05. Marine-grade, die-cast aluminium alloy. 5CE superior corrosion protection including PCS hardware. Silicone CCG® Controlled Compression Gasket. Safety glass lens. One cable gland. Second gland for through wiring on request.

Integral EC electronic converter in thermally-separated compartment. Glass LED lens array. Factory installed LED circuit board. DALI interface.




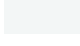
Gobo outside diameter 46.6 mm, max. printable area  $d = 38$  mm.

## Projectors

### Specifications

#### Material description

---

Body	Marine-grade, die-cast aluminium alloy
Lens	Safety glass lens
Colours	 RAL9004 Signal black  RAL9007 Grey aluminium  RAL7016 Anthracite grey  RAL9016 Traffic white
Gasket	Silicone CCG® Controlled Compression Gasket
Fasteners	PCS Polymer Coated Stainless Steel Hardware
Ingress protection	IP66
Impact resistance	IK05
Corrosion resistance	5CE

---

#### Electrical description

---

Driver / Ballast	DALI (separate gearbox)
Power factor	> 0.9

---

#### Additional information

---

Lifetime	Ta=25° L70B50 > 50000h
----------	------------------------

---

# FLC210-TW LED [GP]

**we-ef**

## Projectors

### Options

#### Light distribution

#### Colour temperature

#### Nominal Watt



symmetric Gobo-Projector [GP] - min aperture angle



2200-6000K

0 W



symmetric Gobo-Projector [GP] - max aperture angle

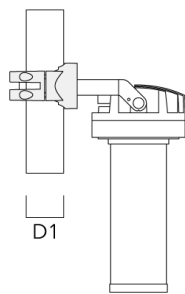
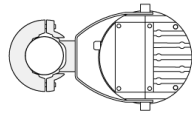
### Configurations

Light distribution	Part ID	Light source	Rated lumens	Rated input power	CRI	Weight (kg)
symmetric Gobo-Projector [GP] - max aperture angle 	139-2493_max	LED-FT-10W / 250mA - 2200-6000 K	514.9	12 W	80	4
symmetric Gobo-Projector [GP] - min aperture angle 	139-2493_min	LED-FT-10W / 250mA - 2200-6000 K	181.8	12 W	80	4

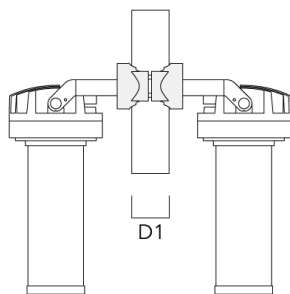
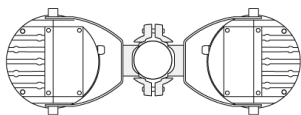
### Mounting Accessories

#### Pole clamp PC - Rotatable

Description	Part ID	D1	Weight (kg)
PC1 76-89/60 Pole clamp, single (Ø 76-89)	139-2702	76-89	1.00

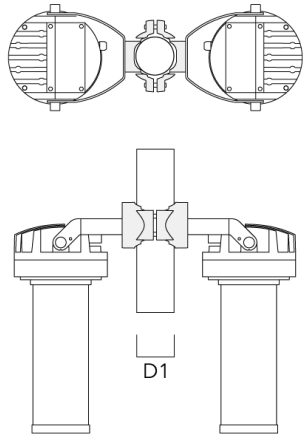


PC2 76-89/60 Pole clamp, double (Ø 76-89)	139-2703	76-89	1.00
-------------------------------------------	----------	-------	------

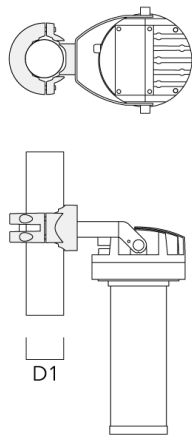


## Projectors

Description	Part ID	D1	Weight (kg)
PC2 82-109/60 Pole clamp, double (Ø 82-109)	139-2705	82-109	1.10

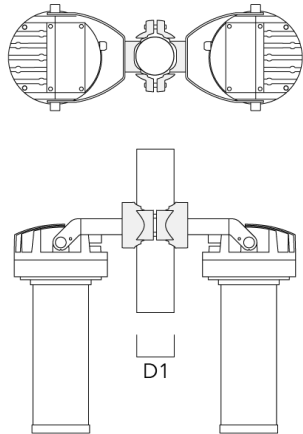


PC1 102-114/60 Pole clamp, single (Ø 102-114)	139-2706	102-114	1.20
--------------------------------------------------	----------	---------	------

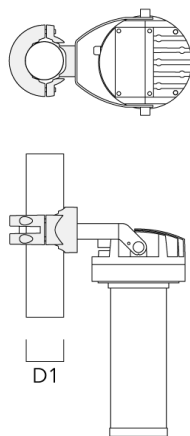


## Projectors

Description	Part ID	D1	Weight (kg)
PC2 102-114/60 Pole clamp, double (Ø 102-114)	139-2707	102-114	1.20

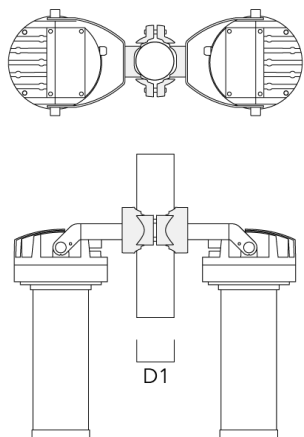


PC1 114-133/60 Pole clamp, single (Ø 114-133)	139-2708	114-133	1.40
--------------------------------------------------	----------	---------	------



## Projectors

Description	Part ID	D1	Weight (kg)
PC2 114-133/60 Pole clamp, double (Ø 114-133)	139-2709	114-133	1.40





### Optical Accessories

#### Gobo cartridge

Description	Part ID
Gobo cartridge for FLC210 [GP]	139-2858