

### Description

RGBW/RGBA Colour Changer Profile Projector [GP] for projection of gobos on a surface. Spherical and aspherical, double flat convex lens system. Gobo motif on request, to be ordered separately. RGBW (white in 4000 K, 3000 K available on request) and RGBA.

IP66, Class I. IK05. Marine-grade, die-cast aluminium alloy. 5CE superior corrosion protection including PCS hardware. Silicone CCG® Controlled Compression Gasket. Safety glass lens. One cable gland. Second gland for through wiring on request.

Electronic control gear in separate gearbox (medium), prewired. Glass LED lens array. Factory installed LED circuit board. DMX interface.




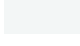
Custom-made gobos (outside diameter 46.6 mm, max. printable area  $d = 38$  mm) available on request.

## Projectors

### Specifications

#### Material description

---

Body	Marine-grade, die-cast aluminium alloy
Lens	Safety glass lens
Colours	 RAL9004 Signal black  RAL9007 Grey aluminium  RAL7016 Anthracite grey  RAL9016 Traffic white
Gasket	Silicone CCG® Controlled Compression Gasket
Fasteners	PCS Polymer Coated Stainless Steel Hardware
Ingress protection	IP66
Impact resistance	IK05
Corrosion resistance	5CE

---

#### Electrical description

---

Driver / Ballast	DMX (separate gearbox)
Power factor	> 0.9

---

#### Additional information

---

Lifetime	Ta=25° L70B50 > 50000h
----------	------------------------

---

# FLC210-CC LED [GP]

## Projectors

### Options

#### Light distribution



symmetric Gobo-Projector [GP] - min aperture angle



symmetric Gobo-Projector [GP] - max aperture angle

#### Colour temperature

RGBW/4K

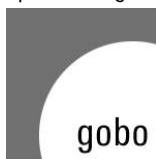
RGBA

#### Nominal Watt

0 W

### Configurations

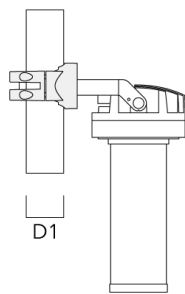
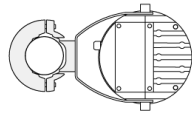
Light distribution	Part ID	Light source	Rated lumens	Rated input power	CRI	Weight (kg)
symmetric Gobo-Projector [GP] - max aperture angle	139-2487_max	LED-FT-15W - RGBW/4K	275.5	17 W	20/80	4.00
	139-2488_max	LED-FT-15W - RGBA	236.1	17 W	20	4.00
symmetric Gobo-Projector [GP] - min aperture angle	139-2487_min	LED-FT-15W - RGBW/4K	176.7	17 W	20/80	4.00
	139-2488_min	LED-FT-15W - RGBA	151.5	17 W	20	4.00



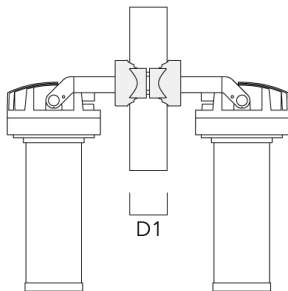
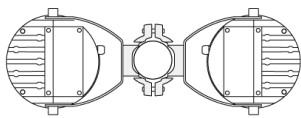
### Mounting Accessories

#### Pole clamp PC - Rotatable

Description	Part ID	D1	Weight (kg)
PC1 76-89/60 Pole clamp, single (Ø 76-89)	139-2702	76-89	1.00

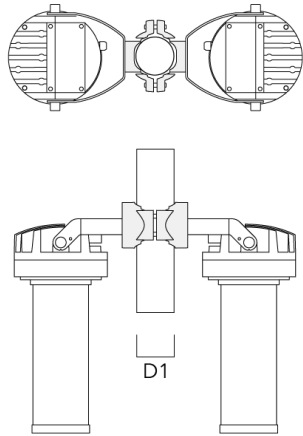


PC2 76-89/60 Pole clamp, double (Ø 76-89)	139-2703	76-89	1.00
---	----------	-------	------

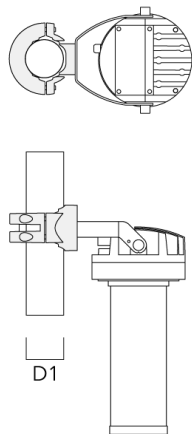


## Projectors

Description	Part ID	D1	Weight (kg)
PC2 82-109/60 Pole clamp, double (Ø 82-109)	139-2705	82-109	1.10

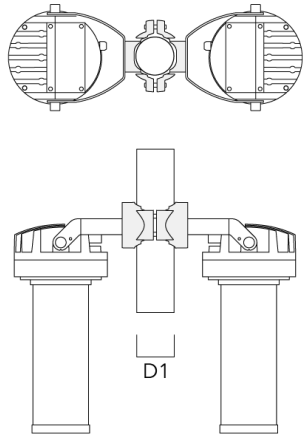


PC1 102-114/60 Pole clamp, single (Ø 102-114)	139-2706	102-114	1.20
--	----------	---------	------

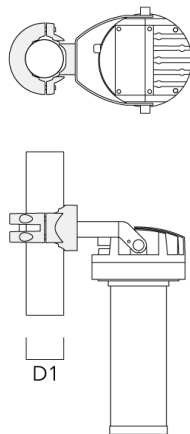


## Projectors

Description	Part ID	D1	Weight (kg)
PC2 102-114/60 Pole clamp, double (Ø 102-114)	139-2707	102-114	1.20

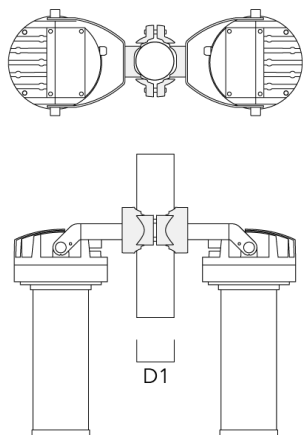


PC1 114-133/60 Pole clamp, single (Ø 114-133)	139-2708	114-133	1.40
--	----------	---------	------



## Projectors

Description	Part ID	D1	Weight (kg)
PC2 114-133/60 Pole clamp, double (Ø 114-133)	139-2709	114-133	1.40





## Optical Accessories

### Gobo cartridge

Description	Part ID
Gobo cartridge for FLC210 [GP]	139-2858