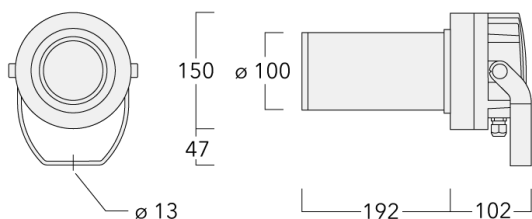







Description

Profile Projector [ZP] for zoom spot. Spherical and aspherical, double flat convex lens system.

IP66, Class I. IK05. Marine-grade, die-cast aluminium alloy. 5CE superior corrosion protection including PCS hardware. Silicone CCG® Controlled Compression Gasket. Safety glass lens. One cable gland. Second gland for through wiring on request. Integral electronic control gear, thermally separated. Glass LED lens array. Factory installed LED circuit board.



Projectors**Specifications****Material description**

Body	Marine-grade, die-cast aluminium alloy
Lens	Safety glass lens
Colours	 RAL9004 Signal black  RAL9006 White aluminium  RAL9007 Grey aluminium
Gasket	Silicone CCG® Controlled Compression Gasket
Fasteners	PCS Polymer Coated Stainless Steel Hardware
Ingress protection	IP66
Impact resistance	IK05
Corrosion resistance	5CE

Electrical description

Driver / Ballast	Integral EC electronic converter in thermally-separated compartment
Power factor	> 0.9

Additional information

Lifetime	Ta=40° L70B50 > 50000h
----------	------------------------

FLC210 LED [ZP]

Projectors

we-ef

Options

Light distribution



symmetric Zoom-Projector [ZP] - min aperture angle



symmetric Zoom-Projector [ZP] - max aperture angle

Colour temperature



2700 K



3000 K





4000 K

Nominal Watt

0 W

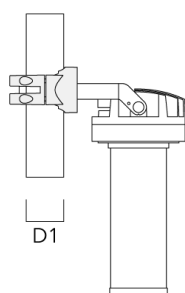
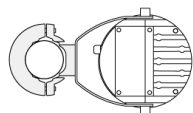
Configurations

Light distribution	Part ID	Light source	Rated lumens	Rated input power	CRI	Weight (kg)
symmetric Zoom-Projector [ZP] - max aperture angle 	139-2477_max	LED-FT-26W - 3000 K	1827.3	28 W	80	4.00
	139-2478_max	LED-FT-26W - 4000 K	1924.3	28 W	80	4.00
	139-2496_max	LED-FT-18W - 3000 K	1330.9	20 W	80	4.00
	139-2497_max	LED-FT-18W - 4000 K	1403	20 W	80	4.00
	139-2502_max	LED-FT-18W - 2700 K	1286.6	20 W	80	4.00
	139-2505_max	LED-FT-26W - 2700 K	1769	28 W	80	4.00
symmetric Zoom-Projector [ZP] - min aperture angle 	139-2477_min	LED-FT-26W - 3000 K	1690.6	28 W	80	4.00
	139-2478_min	LED-FT-26W - 4000 K	1780.3	28 W	80	4.00
	139-2496_min	LED-FT-18W - 3000 K	1231.4	20 W	80	4.00
	139-2497_min	LED-FT-18W - 4000 K	1298.1	20 W	80	4.00
	139-2502_min	LED-FT-18W - 2700 K	1190.3	20 W	80	4.00
	139-2505_min	LED-FT-26W - 2700 K	1636.7	28 W	80	4.00

Mounting Accessories

Pole clamp PC - Rotatable

Description	Part ID	D1	Weight (kg)
PC1 76-89/60 Pole clamp, single (Ø 76-89)	139-2702	76-89	1.00

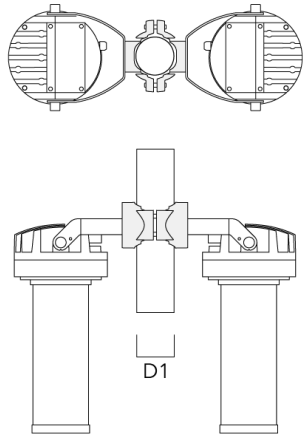


PC2 76-89/60 Pole clamp, double (Ø 76-89)	139-2703	76-89	1.00
---	----------	-------	------



Projectors

Description	Part ID	D1	Weight (kg)
PC2 82-109/60 Pole clamp, double (Ø 82-109)	139-2705	82-109	1.10

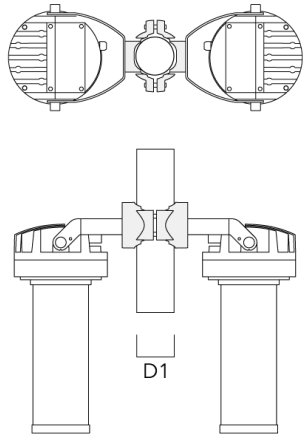


PC1 102-114/60 Pole clamp, single (Ø 102-114)	139-2706	102-114	1.20
--	----------	---------	------



Projectors

Description	Part ID	D1	Weight (kg)
PC2 102-114/60 Pole clamp, double (Ø 102-114)	139-2707	102-114	1.20



PC1 114-133/60 Pole clamp, single (Ø 114-133)	139-2708	114-133	1.40
--	----------	---------	------



Projectors

Description	Part ID	D1	Weight (kg)
PC2 114-133/60 Pole clamp, double (Ø 114-133)	139-2709	114-133	1.40



FLC210 LED [ZP]

Projectors

WE-EF LIGHTING Pty Ltd

6/13 Downard Street, 3195 Braeside, Victoria

Phone: +61 3 8587 0444

Fax: +61 3 8587 0499

info.australia@we-ef.com

<https://we-ef.com/aus>

Subject to technical changes and errors.

Generated on 23/10/2024