

### **Description**

IP66. IK07. Marine-grade, die-cast aluminium alloy. 5CE superior corrosion protection including PCS hardware. Safety glass lens. Silicone CCG® Controlled Compression Gasket. Luminaire is factory-sealed and does not need to be opened during installation.

Advanced thermal management protects LEDs while optimising lumens output. CAD-optimised optics for superior illumination and glare control. Including 1.5 m of flexible PVC free cable.

Mains voltage versions, ON-OFF Class I. Integral EC electronic converter.

24VDC low voltage versions, ON-OFF or DALI Class II can be ordered remote gear box 145-7234.

24VDC low voltage versions, ON-OFF Class III. DALI (only 4W available) Class I.





Remote 24VDC power supply to be ordered separately.

Optical accessories are factory-installed. To be specified at time of ordering.

### Specifications

#### Material description

---

Body	Marine-grade, die-cast aluminium alloy
Lens	Safety glass lens
Colours	 RAL9004 Signal black  RAL9007 Grey aluminium  RAL7016 Anthracite grey  RAL9016 Traffic white
Gasket	Silicone CCG® Controlled Compression Gasket
Fasteners	PCS hardware
Ingress protection	IP66
Impact resistance	IK07
Corrosion resistance	5CE
Windage	0.015 m <sup>2</sup>

---

#### Electrical description

---

Driver / Ballast	Integral EC electronic converter (mains voltage). Integral ED electronic driver (24VDC low voltage).
Power factor	>0.9

---

#### Additional information

---

Lifetime	Ta=25° L90B10 > 90000h
----------	------------------------

---

# FLC301 Spigot mounted

## Projectors

**we-ef**

### Options

#### Light distribution



symmetric, wide beam [B]



symmetric, medium beam [M]



symmetric, narrow beam [E]



symmetric, very narrow beam [EE]



symmetric, very narrow beam, sharp cut-off [EES]



linear spread, very narrow beam [EE]



linear spread, very narrow beam, sharp cut-off [EES]



wallwash

#### Colour temperature



2700 K



3000 K

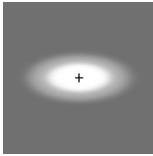
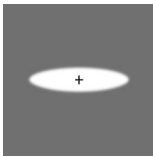
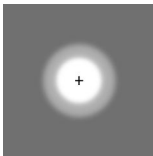
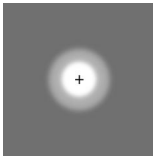
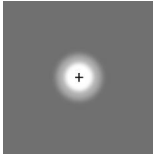


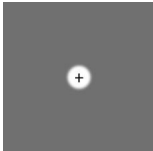
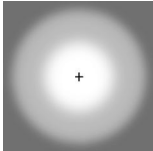

4000 K

#### Nominal Watt

0 W

### Configurations

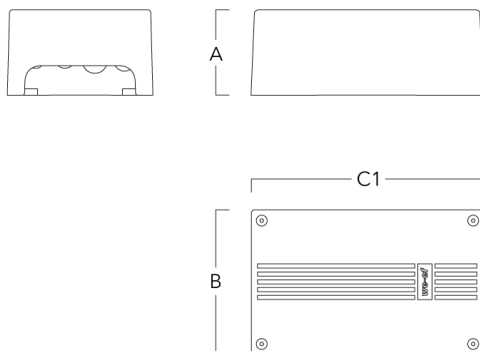
Light distribution	Part ID	Light source	Rated lumens	Rated input power	CRI	Weight (kg)
linear spread, very narrow beam [EE] 	145-7186+145-7229	LED-1/4W / 350 mA - 2700 K	384.7	5 W	80	0.70
	145-7187+145-7229	LED-1/4W / 350 mA - 3000 K	384.7	5 W	80	0.70
	145-7188+145-7229	LED-1/4W / 350 mA - 4000 K	416.1	5 W	80	0.70
linear spread, very narrow beam, sharp cut-off [EES] 	145-7189+145-7229	LED-1/4W / 350 mA - 2700 K	343.5	5 W	80	0.70
	145-7190+145-7229	LED-1/4W / 350 mA - 3000 K	343.5	5 W	80	0.70
	145-7191+145-7229	LED-1/4W / 350 mA - 4000 K	369.9	5 W	80	0.70
symmetric, medium beam [M] 	145-7183	LED-1/4W / 350 mA - 2700 K	398.4	5 W	80	0.70
	145-7183+0025	LED-1/4W / 350 mA - 2700 K	398.4	5 W	80	0.70
	145-7184	LED-1/4W / 350 mA - 3000 K	398.4	5 W	80	0.70
	145-7184+0025	LED-1/4W / 350 mA - 3000 K	398.4	5 W	80	0.70
	145-7185	LED-1/4W / 350 mA - 4000 K	431	5 W	80	0.70
	145-7185+0025	LED-1/4W / 350 mA - 4000 K	431	5 W	80	0.70
	145-7503+0025	LED-1/6W / 500 mA - 2700 K	544.7	6 W	80	0.70
	145-7504+0025	LED-1/6W / 500 mA - 3000 K	544.7	6 W	80	0.70
	145-7505+0025	LED-1/6W / 500 mA - 4000 K	585.4	6 W	80	0.70
symmetric, narrow beam [E] 	145-7240	LED-1/4W / 350 mA - 2700 K	415.2	5 W	80	0.70
	145-7240+0025	LED-1/4W / 350 mA - 2700 K	415.2	5 W	80	0.70
	145-7241	LED-1/4W / 350 mA - 3000 K	415.2	5 W	80	0.70
	145-7241+0025	LED-1/4W / 350 mA - 3000 K	415.2	5 W	80	0.70
	145-7242	LED-1/4W / 350 mA - 4000 K	449.1	5 W	80	0.70
	145-7242+0025	LED-1/4W / 350 mA - 4000 K	449.1	5 W	80	0.70
	145-7506+0025	LED-1/6W / 500 mA - 2700 K	567.5	6 W	80	0.70
	145-7507+0025	LED-1/6W / 500 mA - 3000 K	567.5	6 W	80	0.70
	145-7508+0025	LED-1/6W / 500 mA - 4000 K	609.8	6 W	80	0.70
symmetric, very narrow beam [EE] 	145-7186	LED-1/4W / 350 mA - 2700 K	415.5	5 W	80	0.70
	145-7186+0025	LED-1/4W / 350 mA - 2700 K	415.5	5 W	80	0.70
	145-7187	LED-1/4W / 350 mA - 3000 K	415.5	5 W	80	0.70
	145-7187+0025	LED-1/4W / 350 mA - 3000 K	415.5	5 W	80	0.70
	145-7188	LED-1/4W / 350 mA - 4000 K	449.5	5 W	80	0.70
	145-7188+0025	LED-1/4W / 350 mA - 4000 K	449.5	5 W	80	0.70
	145-7509+0025	LED-1/6W / 500 mA - 2700 K	568.2	6 W	80	0.70

Light distribution	Part ID	Light source	Rated lumens	Rated input power	CRI	Weight (kg)	
symmetric, very narrow beam, sharp cut-off [EES] 	145-7510+0025	LED-1/6W / 500 mA - 3000 K	568.2	6 W	80	0.70	
	145-7511+0025	LED-1/6W / 500 mA - 4000 K	610.6	6 W	80	0.70	
	145-7189	LED-1/4W / 350 mA - 2700 K	382.2	5 W	80	0.70	
	145-7189+0025	LED-1/4W / 350 mA - 2700 K	382.2	5 W	80	0.70	
	145-7190	LED-1/4W / 350 mA - 3000 K	382.2	5 W	80	0.70	
	145-7190+0025	LED-1/4W / 350 mA - 3000 K	382.2	5 W	80	0.70	
	145-7191	LED-1/4W / 350 mA - 4000 K	411.6	5 W	80	0.70	
	145-7191+0025	LED-1/4W / 350 mA - 4000 K	411.6	5 W	80	0.70	
	145-7512+0025	LED-1/6W / 500 mA - 2700 K	516.6	6 W	80	0.70	
	145-7513+0025	LED-1/6W / 500 mA - 3000 K	516.6	6 W	80	0.70	
	145-7514+0025	LED-1/6W / 500 mA - 4000 K	558.6	6 W	80	0.70	
	symmetric, wide beam [B] 	145-7180	LED-1/4W / 350 mA - 2700 K	379.1	5 W	80	0.70
		145-7180+0025	LED-1/4W / 350 mA - 2700 K	379.1	5 W	80	0.70
		145-7181	LED-1/4W / 350 mA - 3000 K	379.1	5 W	80	0.70
145-7181+0025		LED-1/4W / 350 mA - 3000 K	379.1	5 W	80	0.70	
145-7182		LED-1/4W / 350 mA - 4000 K	410.1	5 W	80	0.70	
145-7182+0025		LED-1/4W / 350 mA - 4000 K	410.1	5 W	80	0.70	
145-7500+0025		LED-1/6W / 500 mA - 2700 K	517.9	6 W	80	0.70	
145-7501+0025		LED-1/6W / 500 mA - 3000 K	517.9	6 W	80	0.70	
145-7502+0025		LED-1/6W / 500 mA - 4000 K	556.6	6 W	80	0.70	
wallwash 		145-7183+145-7230	LED-1/4W / 350 mA - 2700 K	358.8	5 W	80	0.70
	145-7184+145-7230	LED-1/4W / 350 mA - 3000 K	331.7	5 W	80	0.70	
	145-7185+145-7230	LED-1/4W / 350 mA - 4000 K	358.8	5 W	80	0.70	

### Electrical Accessories

#### Gear box

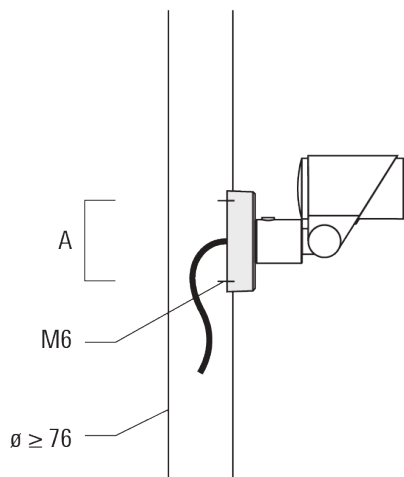
Description	Part ID	Additional information	A	B	C1	Weight (kg)
Gear box CGB320	145-7234	Remote gear box for CLASS II	39	82	142	0.40



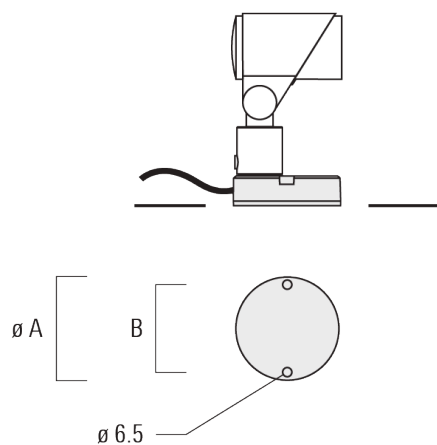
### Mounting Accessories

#### Flat surface and Column fitter

Description	Part ID	A	B	Weight (kg)
Column fitter FLC300	145-9536	70		0.20



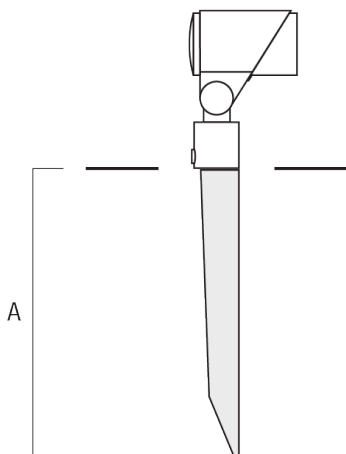
Flat surface fitter FLC300	145-9535	100	85	0.20
----------------------------	----------	-----	----	------



## Projectors

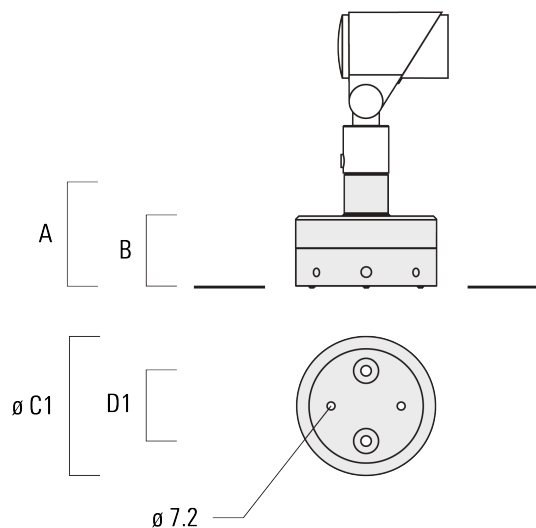
### Ground spike

Description	Part ID	A	Weight (kg)
Ground spike EF1 for FLC300	310-9102	270	1.20



### Junction box

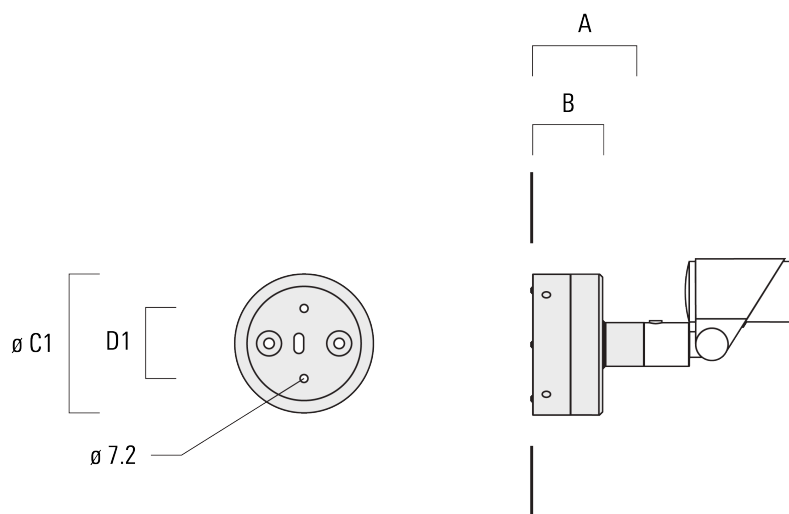
Description	Part ID	A	B	C1	D1	Weight (kg)
Junction box JB1 with side entry	310-9002	107	67	135	67	1.20





## Projectors

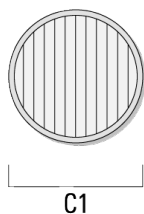
Description	Part ID	A	B	C1	D1	Weight (kg)
Junction box JB1 with wall entry	310-9025	107	67	135	67	1.10



### Optical Accessories

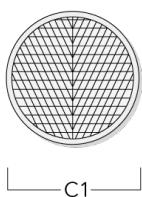
#### Linear spread lens

Description	Part ID	C1
Linear spread lens IO-180	145-7229	42.5



#### Wallwash lens

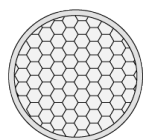
Description	Part ID	C1
Wallwash lens IO-20	145-7230	42.5



## Projectors

### Honeycomb louvre

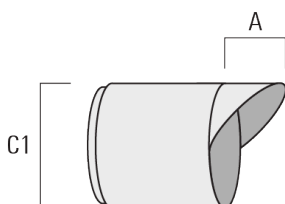
Description	Part ID	C1
Honeycomb louvre IW	145-7231	42.5



C1

### Glare shield

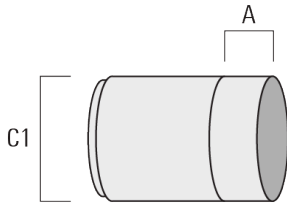
Description	Part ID	A	C1
Glare shield ES	145-7232	20.5	58



## Projectors

### Snoot

Description	Part ID	A	C1
Snoot ET	145-7233	22.5	58



**Control**

**DALI interface**

Description	Part ID
Low voltage DALI interface	0026