

### Description

Profile Projector [ZP] for zoom spot. Spherical and aspherical, double flat convex lens system.






IP66, Class III. IK07. Marine-grade, die-cast aluminium alloy. 5CE superior corrosion protection including PCS hardware. Silicone CCG® Controlled Compression Gasket. Safety glass lens. Electronic control gear in separate gear box (constant current), prewired. Gearbox to be ordered separately. One factory installed flange plug M8 x 1.5. Cable length 10 ft. CAD-optimised optics for superior illumination and glare control. Factory-installed LED circuit board.

## Projectors

### Specifications

#### Material description

---

Body	Marine-grade, die-cast aluminium alloy
Lens	Safety glass lens
Colours	 RAL9004 Signal black  RAL9006 White aluminium  RAL9007 Grey aluminium  RAL7016 Anthracite grey  RAL9016 Traffic white
Gasket	Silicone CCG® Controlled Compression Gasket
Fasteners	PCS Polymer Coated Stainless Steel Hardware
Ingress protection	IP66
Impact resistance	IK07
Corrosion resistance	5CE
Windage	0.11 ft <sup>2</sup>

---

#### Electrical description

---

Power supply	220-240V / 50-60 Hz
Driver / Ballast	DALI
Power factor	> 0.9

---

#### Additional information

---

Lifetime	Ta=25° L90B10 > 90000h
Energy efficiency class	D-E (Light source)

---

# FLC201 LED [ZP]

## Projectors

**we-ef**

### Options

#### Light distribution



symmetric Zoom-Projector [ZP] - min aperture angle



symmetric Zoom-Projector [ZP] - max aperture angle

#### Colour temperature



2700 K



3000 K





4000 K

#### Nominal Watt

0 W

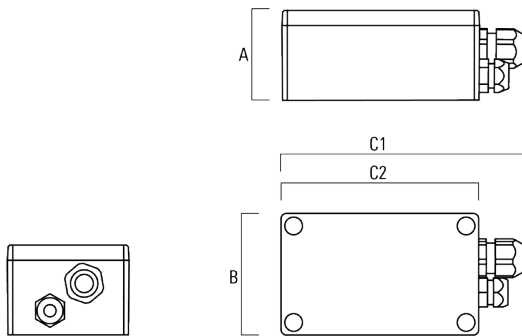
### Configurations

Light distribution	Part ID	Light source	Rated lumens	Rated input power	CRI	Weight (kg)
symmetric Zoom-Projector [ZP] - max aperture angle 	139-2746_max	LED-1/6W / 500 mA - 2700 K	373.3	7.5 W	80	0.85
	139-2747_max	LED-1/6W / 500 mA - 3000 K	373.3	7.5 W	80	0.85
	139-2748_max	LED-1/6W / 500 mA - 4000 K	401.1	7.5 W	80	0.85
symmetric Zoom-Projector [ZP] - min aperture angle 	139-2746_min	LED-1/6W / 500 mA - 2700 K	394.6	7.5 W	80	0.85
	139-2747_min	LED-1/6W / 500 mA - 3000 K	394.6	7.5 W	80	0.85
	139-2748_min	LED-1/6W / 500 mA - 4000 K	424	7.5 W	80	0.85

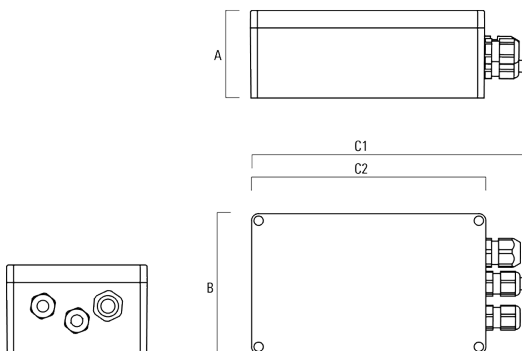
### Electrical Accessories

#### Gear box

Description	Part ID	A	B	C1	C2	Weight (kg)
GB200 R130x80 gear box (small) DALI	139-2555	50	80	159	130	0.30

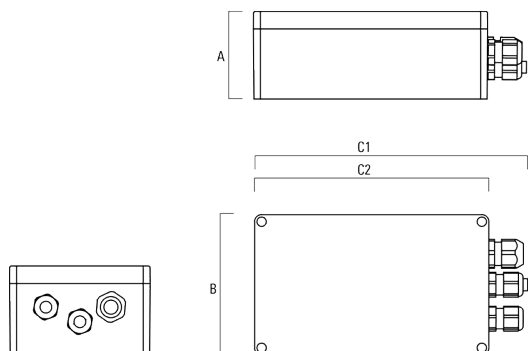


GB200 R200x120 gear box (medium) DALI	139-2622	75	120	229	200	
--	----------	----	-----	-----	-----	--



## Projectors

Description	Part ID	A	B	C1	C2	Weight (kg)
GB200 R230x140 gear box (large) SP10 DALI	139-2621	95	140	259	230	



### Mounting Accessories

#### Junction box

Description	Part ID	A	B	C1	C2
JB200 R82 Junction box	139-2590	55	82	140	80

