



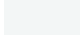


Description

Profile Projector [FP] for framing applications, polygon shape. Spherical and aspherical, double flat convex lens system.

IP66, Class III. IK07. Marine-grade, die-cast aluminium alloy. 5CE superior corrosion protection including PCS hardware. Silicone CCG® Controlled Compression Gasket. Safety glass lens. Electronic control gear in separate gear box (constant current), prewired. Gearbox to be ordered separately. One factory installed flange plug M8 x 1.5. Cable length 10 ft. CAD-optimised optics for superior illumination and glare control. Factory-installed LED circuit board.

Projectors**Specifications****Material description**

| | |
|----------------------|---|
| Body | Marine-grade, die-cast aluminium alloy |
| Lens | Safety glass lens |
| Colours |  RAL9004 Signal black  RAL9006 White aluminium  RAL9007 Grey aluminium  RAL7016 Anthracite grey  RAL9016 Traffic white |
| Gasket | Silicone CCG® Controlled Compression Gasket |
| Fasteners | Eingebauter Flanschstecker M8 x 1,5. Anschlussleitung 3 m |
| Ingress protection | IP66 |
| Impact resistance | IK07 |
| Corrosion resistance | 5CE |
| Windage | 0.11 ft ² |

Electrical description

| | |
|------------------|---------------------|
| Power supply | 220-240V / 50-60 Hz |
| Driver / Ballast | DALI |
| Power factor | > 0.9 |

Additional information

| | |
|-------------------------|------------------------|
| Lifetime | Ta=25° L90B10 > 90000h |
| Energy efficiency class | D-E (Light source) |

FLC201 LED [FP]

Projectors

we-ef

Options

Light distribution



symmetric Framing-Projector [FP] - min aperture angle



symmetric Framing-Projector [FP] - max aperture angle

Colour temperature



2700 K



3000 K





4000 K

Nominal Watt

0 W

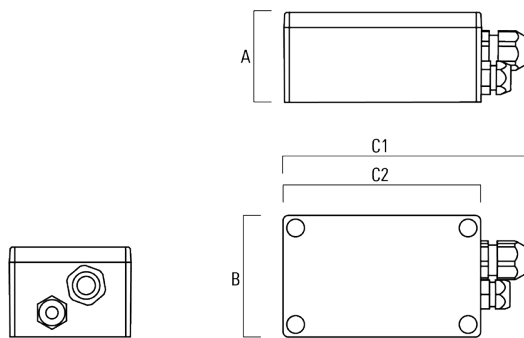
Configurations

| Light distribution | Part ID | Light source | Rated lumens | Rated input power | CRI | Weight (kg) |
|--|--------------|----------------------------|--------------|-------------------|-----|-------------|
| symmetric Framing-Projector [FP] - max aperture angle  | 139-2752_max | LED-1/6W / 500 mA - 2700 K | 373.3 | 7.5 W | 80 | 0.85 |
| | 139-2753_max | LED-1/6W / 500 mA - 3000 K | 373.3 | 7.5 W | 80 | 0.85 |
| | 139-2754_max | LED-1/6W / 500 mA - 4000 K | 401.1 | 7.5 W | 80 | 0.85 |
| symmetric Framing-Projector [FP] - min aperture angle  | 139-2752_min | LED-1/6W / 500 mA - 2700 K | 394.6 | 7.5 W | 80 | 0.85 |
| | 139-2753_min | LED-1/6W / 500 mA - 3000 K | 394.6 | 7.5 W | 80 | 0.85 |
| | 139-2754_min | LED-1/6W / 500 mA - 4000 K | 424 | 7.5 W | 80 | 0.85 |

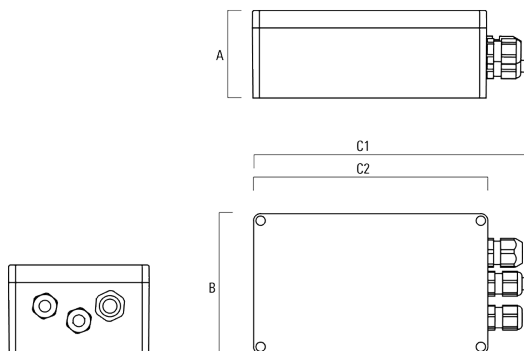
Electrical Accessories

Gear box

| Description | Part ID | A | B | C1 | C2 | Weight (kg) |
|--|----------|----|----|-----|-----|-------------|
| GB200 R130x80 gear box (small) DALI | 139-2555 | 50 | 80 | 159 | 130 | 0.30 |

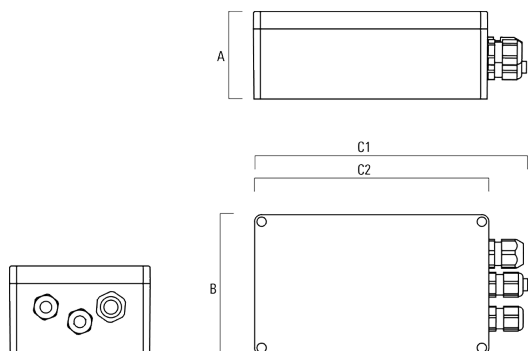


| | | | | | | |
|--|----------|----|-----|-----|-----|--|
| GB200 R200x120 gear box (medium) DALI | 139-2622 | 75 | 120 | 229 | 200 | |
|--|----------|----|-----|-----|-----|--|



Projectors

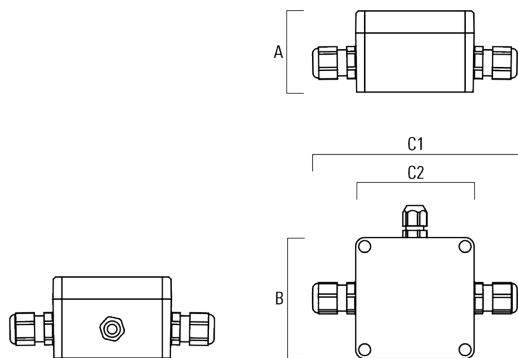
| Description | Part ID | A | B | C1 | C2 | Weight (kg) |
|--|----------|----|-----|-----|-----|-------------|
| GB200 R230x140 gear box (large) SP10 DALI | 139-2621 | 95 | 140 | 259 | 230 | |



Mounting Accessories

Junction box

| Description | Part ID | A | B | C1 | C2 |
|------------------------|----------|----|----|-----|----|
| JB200 R82 Junction box | 139-2590 | 55 | 82 | 140 | 80 |



FLC201 LED [FP]

Projectors

Fagerhult Lighting Ltd

33-34 Dolben Street, SE1 0UQ London, United Kingdom

<https://we-ef.com/uk>

Subject to technical changes and errors.
Generated on 23/10/2024