

Description

IP66. IK08. Marine-grade, die-cast aluminium alloy. 5CE superior corrosion protection including PCS hardware. Safety glass lens. Silicone CCG® Controlled Compression Gasket. Luminaire is factory-sealed and does not need to be opened during installation.

Integral EC electronic converter. Advanced thermal management protects LEDs while optimising lumens output. CAD-optimised optics for superior illumination and glare control. Including 1.5 m of flexible PVC free cable.

Mains voltage versions, DALI interface Class I. 1-10 V analogue dimming available on request; refer to accessory listings.

DALI Class II, refer to accessory listings. 0-10 V Class II available on request.




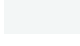
24VDC low voltage versions, 0-10 V Class III.

Remote 24VDC power supply to be ordered separately.

Projectors

Specifications

Material description

Body	Marine-grade, die-cast aluminium alloy
Lens	Safety glass lens
Colours	 RAL9004 Signal black  RAL9007 Grey aluminium  RAL7016 Anthracite grey  RAL9016 Traffic white
Gasket	Silicone CCG® Controlled Compression Gasket
Fasteners	PCS hardware
Ingress protection	IP66
Impact resistance	IK08
Corrosion resistance	5CE
Windage	0.020 m ²

Electrical description

Driver / Ballast	DALI interface
Power factor	>0.9

Additional information

Lifetime	Ta=25° L90B10 > 90000h
----------	------------------------

FLC311 Spigot mounted

Projectors

we-ef

Options

Light distribution



symmetric, wide beam [B]



symmetric, medium beam [M]



symmetric, very narrow beam [EE]



symmetric, very narrow beam, sharp cut-off [EES]



wallwash



linear spread, very narrow beam [EE]



linear spread, very narrow beam, sharp cut-off [EES]

Colour temperature



2700 K



3000 K

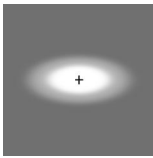
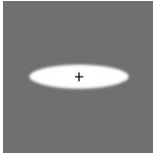
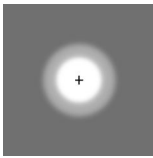



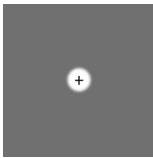
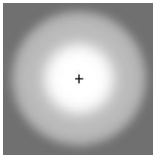

4000 K

Nominal Watt

0 W

Configurations

Light distribution	Part ID	Light source	Rated lumens	Rated input power	CRI	Weight (kg)	
linear spread, very narrow beam [EE] 	145-7618+145-7781	LED-3/6W / 180 mA - 2700 K	539.2	7.5 W	80	1.60	
	145-7619+145-7781	LED-3/9W / 250 mA - 2700 K	756.9	11 W	80	1.60	
	145-7620+145-7781	LED-3/12W / 350 mA - 2700 K	1016.1	13.9 W	80	1.60	
	145-7621+145-7781	LED-3/6W / 180 mA - 3000 K	539.2	7.5 W	80	1.60	
	145-7622+145-7781	LED-3/9W / 250 mA - 3000 K	756.9	11 W	80	1.60	
	145-7623+145-7781	LED-3/12W / 350 mA - 3000 K	1016.1	13.9 W	80	1.60	
	145-7624+145-7781	LED-3/6W / 180 mA - 4000 K	580.6	7.5 W	80	1.60	
	145-7625+145-7781	LED-3/9W / 250 mA - 4000 K	808.7	11 W	80	1.60	
145-7626+145-7781	LED-3/12W / 350 mA - 4000 K	1099.1	13.9 W	80	1.60		
linear spread, very narrow beam, sharp cut-off [EES] 	145-7627+145-7781	LED-3/6W / 180 mA - 2700 K	528.4	7.5 W	80	1.60	
	145-7628+145-7781	LED-3/9W / 250 mA - 2700 K	748.5	11 W	80	1.60	
	145-7629+145-7781	LED-3/12W / 350 mA - 2700 K	1001.7	13.9 W	80	1.60	
	145-7630+145-7781	LED-3/6W / 180 mA - 3000 K	528.4	7.5 W	80	1.60	
	145-7631+145-7781	LED-3/9W / 250 mA - 3000 K	748.5	11 W	80	1.60	
	145-7632+145-7781	LED-3/12W / 350 mA - 3000 K	1001.7	13.9 W	80	1.60	
	145-7633+145-7781	LED-3/6W / 180 mA - 4000 K	572.4	7.5 W	80	1.60	
	145-7634+145-7781	LED-3/9W / 250 mA - 4000 K	803.6	11 W	80	1.60	
145-7635+145-7781	LED-3/12W / 350 mA - 4000 K	1078.8	13.9 W	80	1.60		
symmetric, medium beam [M] 	145-7609	LED-3/6W / 180 mA - 2700 K	600.4	7.5 W	80	1.60	
	145-7610	LED-3/9W / 250 mA - 2700 K	842.9	11 W	80	1.60	
	145-7611	LED-3/12W / 350 mA - 2700 K	1131.6	13.9 W	80	1.60	
	145-7612	LED-3/6W / 180 mA - 3000 K	600.4	7.5 W	80	1.60	
	145-7613	LED-3/9W / 250 mA - 3000 K	842.9	11 W	80	1.60	
	145-7614	LED-3/12W / 350 mA - 3000 K	1131.6	13.9 W	80	1.60	
	145-7615	LED-3/6W / 180 mA - 4000 K	646.6	7.5 W	80	1.60	
	145-7616	LED-3/9W / 250 mA - 4000 K	900.6	11 W	80	1.60	
	145-7617	LED-3/12W / 350 mA - 4000 K	1224	13.9 W	80	1.60	
	145-7793+0033	LED-3/6W / 700 mA - 2700 K	622.9	7.5 W	80	1.60	
	145-7794+0033	LED-3/6W / 700 mA - 3000 K	669	7.5 W	80	1.60	
	145-7795+0033	LED-3/6W / 700 mA - 4000 K	715.2	7.5 W	80	1.60	
	symmetric, very narrow beam [EE] 	145-7618	LED-3/6W / 180 mA - 2700 K	605.2	7.5 W	80	1.60
		145-7619	LED-3/9W / 250 mA - 2700 K	849.6	11 W	80	1.60
145-7620		LED-3/12W / 350 mA - 2700 K	1140.5	13.9 W	80	1.60	
145-7621		LED-3/6W / 180 mA - 3000 K	605.2	7.5 W	80	1.60	
145-7622		LED-3/9W / 250 mA - 3000 K	849.6	11 W	80	1.60	

Light distribution	Part ID	Light source	Rated lumens	Rated input power	CRI	Weight (kg)	
symmetric, very narrow beam, sharp cut-off [EES] 	145-7623	LED-3/12W / 350 mA - 3000 K	1140.5	13.9 W	80	1.60	
	145-7624	LED-3/6W / 180 mA - 4000 K	651.7	7.5 W	80	1.60	
	145-7625	LED-3/9W / 250 mA - 4000 K	907.8	11 W	80	1.60	
	145-7626	LED-3/12W / 350 mA - 4000 K	1233.6	13.9 W	80	1.60	
	145-7796+0033	LED-3/6W / 700 mA - 2700 K	627.8	7.5 W	80	1.60	
	145-7797+0033	LED-3/6W / 700 mA - 3000 K	674.2	7.5 W	80	1.60	
	145-7798+0033	LED-3/6W / 700 mA - 4000 K	720.8	7.5 W	80	1.60	
	145-7627	LED-3/6W / 180 mA - 2700 K	606.3	7.5 W	80	1.60	
	145-7628	LED-3/9W / 250 mA - 2700 K	858.9	11 W	80	1.60	
	145-7629	LED-3/12W / 350 mA - 2700 K	1149.4	13.9 W	80	1.60	
	145-7630	LED-3/6W / 180 mA - 3000 K	606.3	7.5 W	80	1.60	
	145-7631	LED-3/9W / 250 mA - 3000 K	858.9	11 W	80	1.60	
	145-7632	LED-3/12W / 350 mA - 3000 K	1149.4	13.9 W	80	1.60	
	145-7633	LED-3/6W / 180 mA - 4000 K	656.8	7.5 W	80	1.60	
	145-7634	LED-3/9W / 250 mA - 4000 K	922	11 W	80	1.60	
	145-7635	LED-3/12W / 350 mA - 4000 K	1237.8	13.9 W	80	1.60	
	145-7799+0033	LED-3/6W / 700 mA - 2700 K	682	7.5 W	80	1.60	
145-7800+0033	LED-3/6W / 700 mA - 3000 K	732.5	7.5 W	80	1.60		
145-7801+0033	LED-3/6W / 700 mA - 4000 K	783.1	7.5 W	80	1.60		
symmetric, wide beam [B] 	145-7600	LED-3/6W / 180 mA - 2700 K	595.4	7.5 W	80	1.60	
	145-7601	LED-3/9W / 250 mA - 2700 K	835.8	11 W	80	1.60	
	145-7602	LED-3/12W / 350 mA - 2700 K	1122.1	13.9 W	80	1.60	
	145-7603	LED-3/6W / 180 mA - 3000 K	595.4	7.5 W	80	1.60	
	145-7604	LED-3/9W / 250 mA - 3000 K	835.8	11 W	80	1.60	
	145-7605	LED-3/12W / 350 mA - 3000 K	1122.1	13.9 W	80	1.60	
	145-7606	LED-3/6W / 180 mA - 4000 K	641.2	7.5 W	80	1.60	
	145-7607	LED-3/9W / 250 mA - 4000 K	893.1	11 W	80	1.60	
	145-7608	LED-3/12W / 350 mA - 4000 K	1213.7	13.9 W	80	1.60	
	145-7790+0033	LED-3/6W / 700 mA - 2700 K	618	7.5 W	80	1.60	
	145-7791+0033	LED-3/6W / 700 mA - 3000 K	663.8	7.5 W	80	1.60	
	145-7792+0033	LED-3/6W / 700 mA - 4000 K	709.6	7.5 W	80	1.60	
	wallwash 	145-7609+145-7782	LED-3/6W / 180 mA - 2700 K	408.7	7.5 W	80	1.60
		145-7610+145-7782	LED-3/9W / 250 mA - 2700 K	573.7	11 W	80	1.60
		145-7611+145-7782	LED-3/12W / 350 mA - 2700 K	770.2	13.9 W	80	1.60
		145-7612+145-7782	LED-3/6W / 180 mA - 3000 K	408.7	7.5 W	80	1.60
		145-7613+145-7782	LED-3/9W / 250 mA - 3000 K	573.7	11 W	80	1.60

FLC311 Spigot mounted

Projectors

we-ef

Light distribution	Part ID	Light source	Rated lumens	Rated input power	CRI	Weight (kg)
	145-7614+145-7782	LED-3/12W / 350 mA - 3000 K	770.2	13.9 W	80	1.60
	145-7615+145-7782	LED-3/6W / 180 mA - 4000 K	440.1	7.5 W	80	1.60
	145-7616+145-7782	LED-3/9W / 250 mA - 4000 K	613	11 W	80	1.60
	145-7617+145-7782	LED-3/12W / 350 mA - 4000 K	833.1	13.9 W	80	1.60

WE-EF LIGHTING (Thailand) Co., Ltd.

57 Moo 5, Kingkaew Rd., Bangplee, 10540 Samutprakarn - Phone: +66 2 738 96 20 - Fax: +66 2 738 96 29

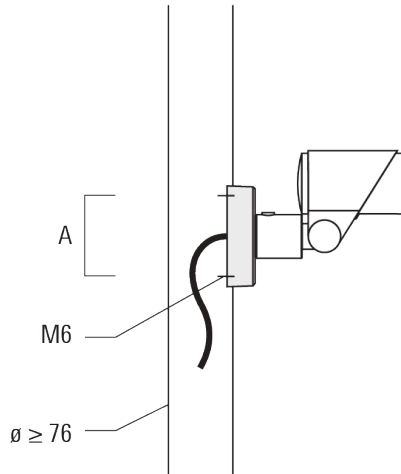
<https://we-ef.com/asia>

Subject to technical changes and errors. - Generated on 23/11/2024

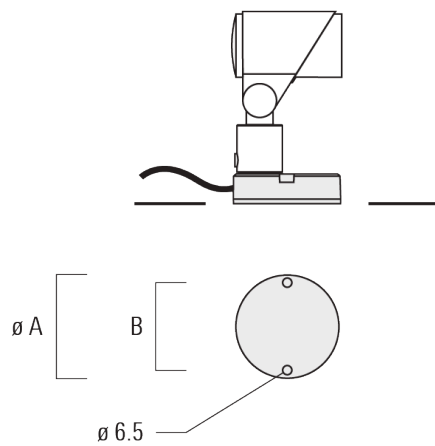
Mounting Accessories

Flat surface and Column fitter

Description	Part ID	A	B	Weight (kg)
Column fitter FLC300	145-9536	70		0.20



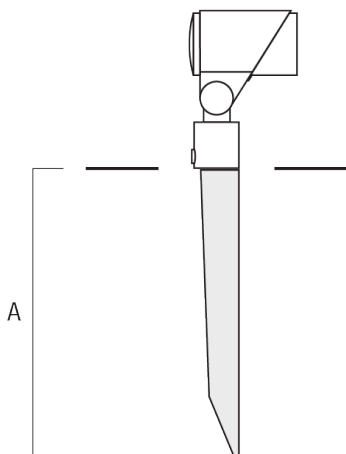
Flat surface fitter FLC300	145-9535	100	85	0.20
----------------------------	----------	-----	----	------



Projectors

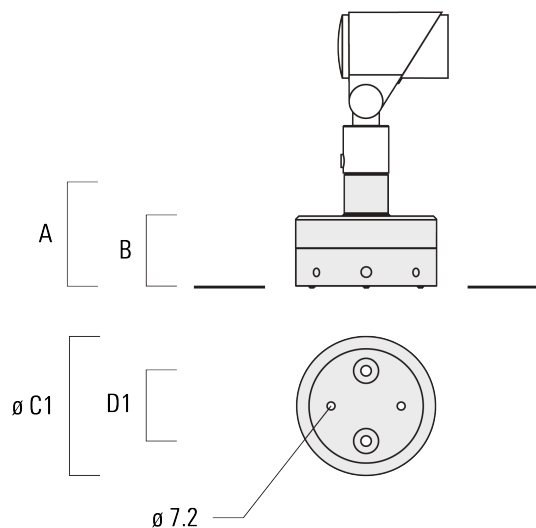
Ground spike

Description	Part ID	A	Weight (kg)
Ground spike EF1 for FLC300	310-9102	270	1.20



Junction box

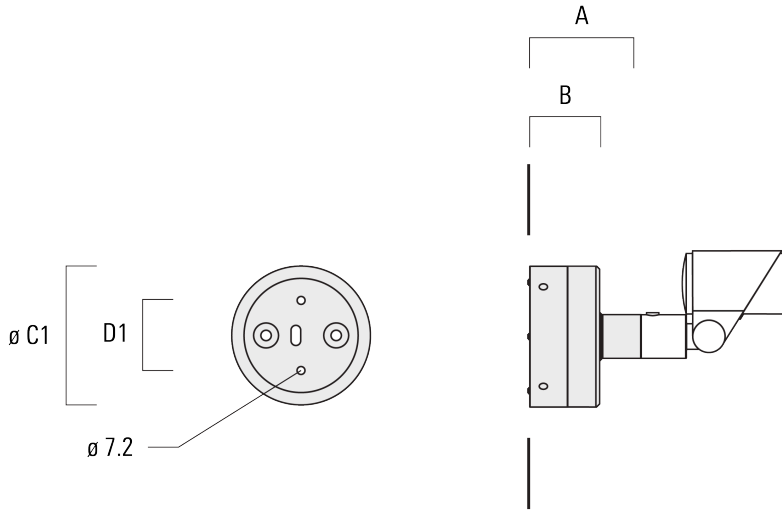
Description	Part ID	A	B	C1	D1	Weight (kg)
Junction box JB1 with side entry	310-9002	107	67	135	67	1.20



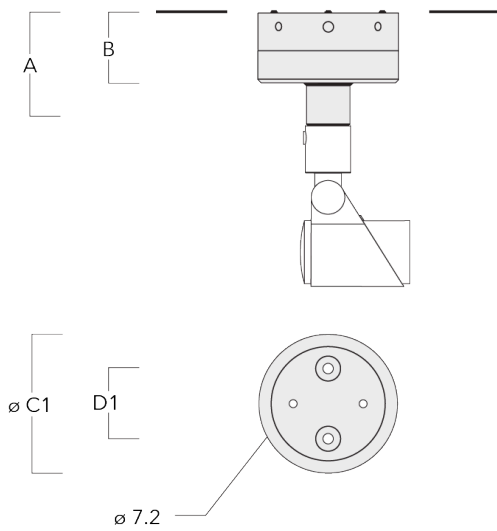
FLC311 Spigot mounted

Projectors

Description	Part ID	A	B	C1	D1	Weight (kg)
Junction box JB1 with wall entry	310-9025	107	67	135	67	1.10



Junction box JB1 with side entry (conduit)	310-9022	107	67	135	67	1.20
---	----------	-----	----	-----	----	------



Control

1-10 V analogue dimming interface

Description	Part ID
1-10 V analogue dimming interface	430-0011

DALI interface

Description	Part ID
DALI Class II	0043+0013

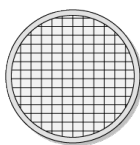
0-10 V, 24VDC low voltage version

Description	Part ID
24VDC low voltage version, 0-10 V	0033

Optical Accessories

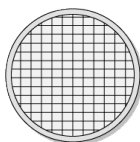
Flood lens

Description	Part ID	C1
Flood lens IO-360 for [EE]	145-7786	59



C1

Flood lens IO-360 for [EES]	145-7780	59
-----------------------------	----------	----

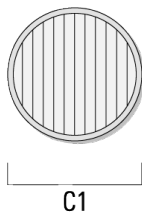


C1

Projectors

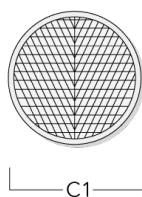
Linear spread lens

Description	Part ID	C1
Linear spread lens IO-180	145-7781	59



Wallwash lens

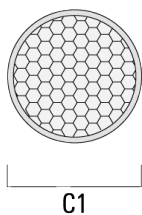
Description	Part ID	C1
Wallwash lens IO-20	145-7782	59



Projectors

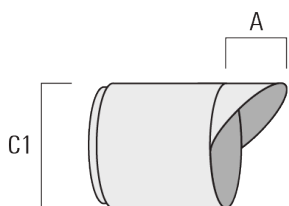
Honeycomb louvre

Description	Part ID	C1
Honeycomb louvre IW	145-7783	59



Glare shield

Description	Part ID	A	C1
Glare shield ES	145-7784	34	85



Snoot

Description	Part ID	A	C1
Snoot ET	145-7785	34	85

