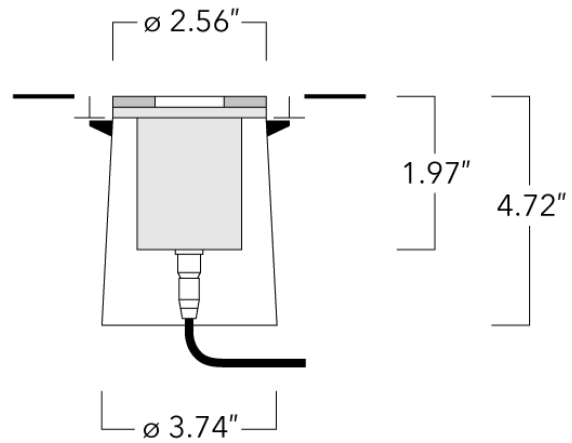


ETC109 LED

Inground Luminaires

we-ef



WE-EF LIGHTING USA, LLC

410-D Keystone Drive, 15086 Warrendale, PA 15086 - Phone: +1 724 742 0030

customersupport.usa@we-ef.com - <https://we-ef.com/us>

Subject to technical changes and errors. - Generated on 11/23/2024

ETC109 LED

Inground Luminaires

Description

IP68 (up to 33ft). 12V. Class III. IK09. Stainless steel construction. PCS hardware. Silicone CCG® Controlled Compression Gasket. Safety glass lens. Luminaire can be driven over at low speed. Factory-sealed termination chamber complete with cable gland and 3 ft of flexible PVC-free cable. Factory-installed circuit board. Select either white, red, green, blue or RGB. LED boards can be easily removed for upgrading.

Suitable for flush installation in concrete. Luminaire requires installation blockout, to be ordered separately.

IP68 in-line connector facilitates easy removal for off-site lamp replacement.


Specify product with 7 Digit product code - Finish Color. Accessories, such as mounting, optical, and electrical, must be specified separately.

Example: XXX-XXXX-9004 (Black)
+ XXX-XXXX (Accessory 1)

WE-EF LIGHTING USA, LLC

410-D Keystone Drive, 15086 Warrendale, PA 15086 - Phone: +1 724 742 0030
customersupport.usa@we-ef.com - <https://we-ef.com/us>
Subject to technical changes and errors. - Generated on 11/23/2024

Inground Luminaires**Specifications****Material description**

Body	Luminaire body constructed of machined stainless steel. Outer housing composite material.
Lens	Tempered glass lens with internal white ceramic glazing. Max. load 5 tonnes.
Colors	 Stainless Steel
Gasket	Silicone rubber gasket
Fasteners	PCS polymer coated stainless steel
Ingress protection	IP68
Impact resistance	IK09

Electrical description

Power supply	Requires a remote mounted 120 V - 12 V DC Class 2, LED [RT] power supply, to be ordered separately.
Driver / Ballast	EC electronic converter required. To be ordered separately.
Termination	Factory sealed termination chamber

Additional information

Lifetime	Ta=25°/40° L90B10 > 90000h
Installation	IP68 in-line connector facilitates lamp replacement and ease of maintenance. Suitable as a marker light for walk-over and drive-over applications. On-site opening of luminaire not required. Proper drainage and foundation support must be provided.
Listings	Contact WE-EF USA for ETL/UL certification status.

ETC109 LED

Inground Luminaires

we-ef

Options

Light distribution Color temperature Nominal Watt

WE-EF LIGHTING USA, LLC

410-D Keystone Drive, 15086 Warrendale, PA 15086 - Phone: +1 724 742 0030
customersupport.usa@we-ef.com - <https://we-ef.com/us>
Subject to technical changes and errors. - Generated on 11/23/2024

ETC109 LED

Inground Luminaires



Configurations

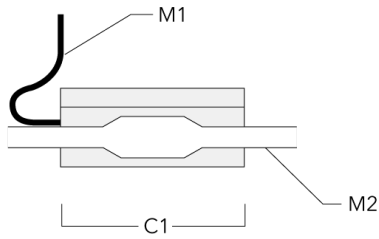
Light distribution	Part ID	Light source	Rated lumens	Rated input power	CRI	Weight (lb)
--------------------	---------	--------------	--------------	-------------------	-----	-------------

WE-EF LIGHTING USA, LLC

410-D Keystone Drive, 15086 Warrendale, PA 15086 - Phone: +1 724 742 0030
customersupport.usa@we-ef.com - <https://we-ef.com/us>
Subject to technical changes and errors. - Generated on 11/23/2024

Electrical Accessories**Sealable junction box**

Description	Part ID	C1	M1	M2
Sealable junction box SJB 130	185-1624	5.75	Ø 0.39	Ø 0.47 - 0.75

**Transformers**

Description	Part ID
Transformer 120 V - 12 V DC 12.0 W	697-9412
Transformer 120 V - 12 V DC 25.5 W	697-9413
Transformer 120 V - 12 V DC 60.0 W	697-9414

WE-EF LIGHTING USA, LLC

410-D Keystone Drive, 15086 Warrendale, PA 15086 - Phone: +1 724 742 0030

customersupport.usa@we-ef.com - <https://we-ef.com/us>

Subject to technical changes and errors. - Generated on 11/23/2024