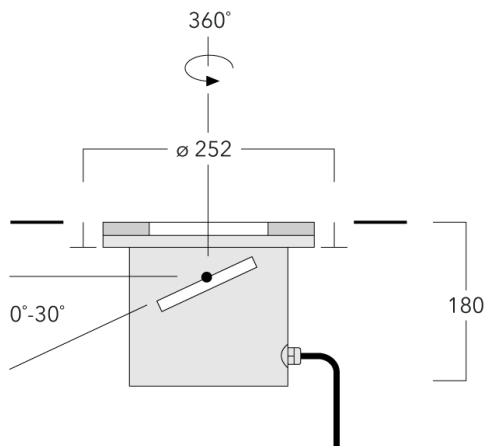


# ETC330-GB LED

## Inground luminaires

**we-ef**



### Description

IP67, Class I. IK10+. Stainless steel construction including PCS hardware. Silicone rubber gasket. Safety glass lens; max. load 5 tonnes. Luminaire can be driven over at low speed. Factory-sealed termination chamber complete with cable gland and 1,5 m of flexible PVC free cable.

'No tool' removable gear/reflector tray. Gimbal mounted,  $30^{\circ}$  tilt and  $360^{\circ}$  rotatable. Factory installed circuit board with High Efficiency LEDs.

Luminaire requires installation blackout and sealable junction box, which are included in supply.

### WE-EF LIGHTING Pty Ltd

6/13 Downard Street, 3195 Braeside, Victoria - Phone: +61 3 8587 0444 - Fax: +61 3 8587 0499

info.australia@we-ef.com - <https://we-ef.com/aus>

Subject to technical changes and errors. - Generated on 24/11/2024


# ETC330-GB LED

## Inground luminaires

### Specifications

#### Material description

---

Lens	Safety glass lens, max. load 5 tonnes
Colours	 Stainless Steel
Gasket	Silicone rubber gasket
Fasteners	PCS Polymer Coated Stainless Steel Hardware
Ingress protection	IP67
Impact resistance	IK10+

---

#### Electrical description

---

Driver / Ballast	Integral EC electronic converter
Power factor	> 0.9

---

#### Additional information

---

Lifetime	Ta=40° L90B10 > 90000h
----------	------------------------

---

# ETC330-GB LED

Inground luminaires

**we-ef**

## Options

Light distribution   Colour temperature   Nominal Watt

### **WE-EF LIGHTING Pty Ltd**

6/13 Downard Street, 3195 Braeside, Victoria - Phone: +61 3 8587 0444 - Fax: +61 3 8587 0499

info.australia@we-ef.com - <https://we-ef.com/aus>

Subject to technical changes and errors. - Generated on 24/11/2024

# ETC330-GB LED

Inground luminaires



## Configurations

Light distribution	Part ID	Light source	Rated lumens	Rated input power	CRI	Weight (kg)
--------------------	---------	--------------	--------------	-------------------	-----	-------------

**WE-EF LIGHTING Pty Ltd**

6/13 Downard Street, 3195 Braeside, Victoria - Phone: +61 3 8587 0444 - Fax: +61 3 8587 0499

info.australia@we-ef.com - <https://we-ef.com/aus>

Subject to technical changes and errors. - Generated on 24/11/2024

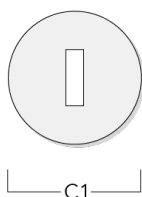
**Mounting Accessories**

**Installation cover**

---

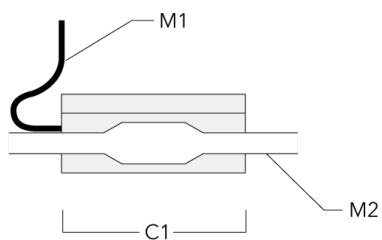
Description	Part ID	C1
Installation cover BE	185-0325	250

---



**Electrical Accessories****Sealable junction box**

Description	Part ID	C1	M1	M2
Sealable junction box SJB130	185-1624	146	Ø 10	Ø 12 - 19



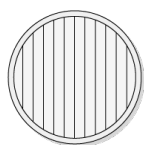
**Optical Accessories**

**Linear spread lens**

---

Description	Part ID	C1
IO-180 ETC130/330-GB LED	185-2632	98

---



C1