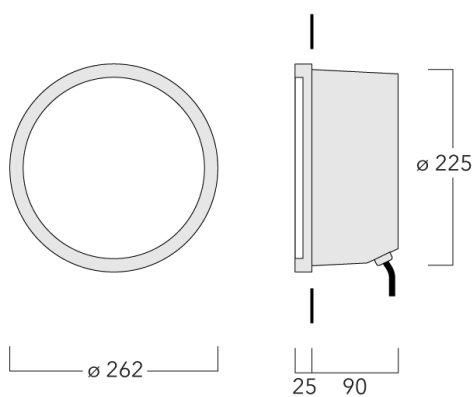


# TRO259 LED

Wall luminaires recessed

**we-ef**



## Description

IP55, Class I. IK10. Marine-grade, die-cast aluminium alloy. 5CE superior corrosion protection including PCS hardware. Polycarbonate lens. Silicone rubber gasket. Two cable entries.

Integral EC electronic converter. Advanced thermal management protects LEDs while optimising lumens output.

Pre-installation blockout is recommended for mounting in concrete, available on request.

**WE-EF LIGHTING (Thailand) Co., Ltd.**




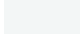
57 Moo 5, Kingkaew Rd., Bangplee, 10540 Samutprakarn - Phone: +66 2 738 96 20 - Fax: +66 2 738 96 29

<https://we-ef.com/asia>

Subject to technical changes and errors. - Generated on 23/11/2024

**Wall luminaires recessed****Specifications****Material description**

---

Body	Marine-grade, die-cast aluminium alloy
Lens	Polycarbonate lens
Colours	 RAL9004 Signal black  RAL9007 Grey aluminium  RAL7016 Anthracite grey  RAL9016 Traffic white
Gasket	Silicone rubber gasket
Fasteners	PCS hardware
Ingress protection	IP55
Impact resistance	IK10
Corrosion resistance	5CE

---

**Electrical description**

---

Power supply	220-240V / 50-60 Hz
Driver / Ballast	Integral EC electronic converter

---

**Additional information**

---

Lifetime	Ta=25° L80B10 > 54000h
----------	------------------------

---

## TRO259 LED

Wall luminaires recessed

**we-ef**

### Options

Light distribution   Colour temperature   Nominal Watt

# TRO259 LED

Wall luminaires recessed



## Configurations

Light distribution	Part ID	Light source	Rated lumens	Rated input power	CRI	Weight (kg)
--------------------	---------	--------------	--------------	-------------------	-----	-------------

**WE-EF LIGHTING (Thailand) Co., Ltd.**

57 Moo 5, Kingkaew Rd., Bangplee, 10540 Samutprakarn - Phone: +66 2 738 96 20 - Fax: +66 2 738 96 29

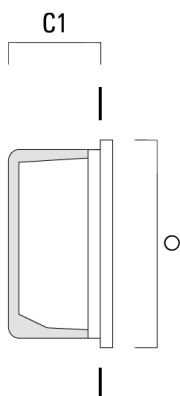
<https://we-ef.com/asia>

Subject to technical changes and errors. - Generated on 23/11/2024

### Mounting Accessories

#### Installation blackout

Description	Part ID	C1	D1	C
Installation blackout BTR25-I	195-0191	125	ø 268	125



Installation blackout BTR25-II	195-0193	150	ø 268	150
--------------------------------	----------	-----	-------	-----

