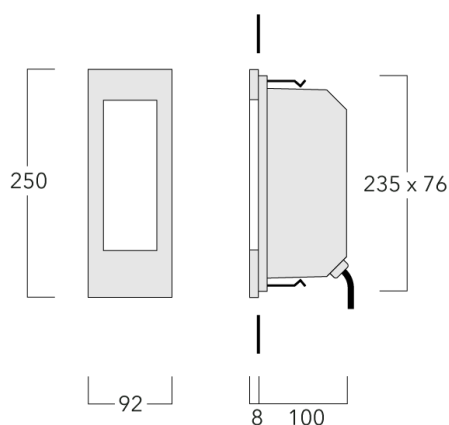


SVO259 LED Stainless steel

Wall luminaires recessed

we-ef



Description

IP55, Class I. IK10. Marine-grade, die-cast aluminium alloy. 5CE superior corrosion protection including PCS hardware. Polycarbonate lens. Silicone rubber gasket. Integral EC electronic converter. Advanced thermal management protects LEDs while optimising lumens output. Two cable entries.

Pre-installation blockout is recommended for mounting in concrete, available on request.

WE-EF LIGHTING (Thailand) Co., Ltd.

57 Moo 5, Kingkaew Rd., Bangplee, 10540 Samutprakarn - Phone: +66 2 738 96 20 - Fax: +66 2 738 96 29

<https://we-ef.com/asia>


Subject to technical changes and errors. - Generated on 23/11/2024

SVO259 LED Stainless steel

Wall luminaires recessed

Specifications

Material description

| | |
|----------------------|---|
| Body | Marine-grade die-cast aluminium alloy |
| Lens | Polycarbonate lens |
| Colours |  Stainless Steel |
| Gasket | Silicone rubber gasket |
| Fasteners | PCS hardware |
| Ingress protection | IP55 |
| Impact resistance | IK10 |
| Corrosion resistance | 5CE |

Electrical description

| | |
|------------------|----------------------------------|
| Power supply | 220-240V / 50-60 Hz |
| Driver / Ballast | Integral EC electronic converter |

Additional information

| | |
|----------|------------------------|
| Lifetime | Ta=25° L80B10 > 54000h |
|----------|------------------------|

SVO259 LED Stainless steel

Wall luminaires recessed

we-ef

Options

Light distribution Colour temperature Nominal Watt

SVO259 LED Stainless steel

we-ef

Wall luminaires recessed

Configurations

| Light distribution | Part ID | Light source | Rated lumens | Rated input power | CRI | Weight (kg) |
|--------------------|---------|--------------|--------------|-------------------|-----|-------------|
|--------------------|---------|--------------|--------------|-------------------|-----|-------------|

WE-EF LIGHTING (Thailand) Co., Ltd.

57 Moo 5, Kingkaew Rd., Bangplee, 10540 Samutprakarn - Phone: +66 2 738 96 20 - Fax: +66 2 738 96 29

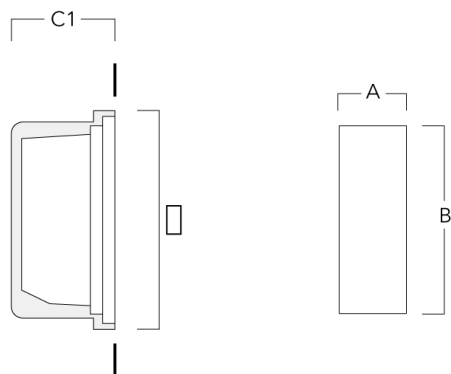
<https://we-ef.com/asia>

Subject to technical changes and errors. - Generated on 23/11/2024

Mounting Accessories

Installation blackout

| Description | Part ID | A | B | C1 |
|--------------------------------|----------|-----|-----|-----|
| Installation blackout BST25-II | 133-0078 | 267 | 132 | 140 |



| | | | | |
|-------------------------------|----------|-----|-----|-----|
| Installation blackout BST25-I | 133-0076 | 267 | 132 | 130 |
|-------------------------------|----------|-----|-----|-----|

