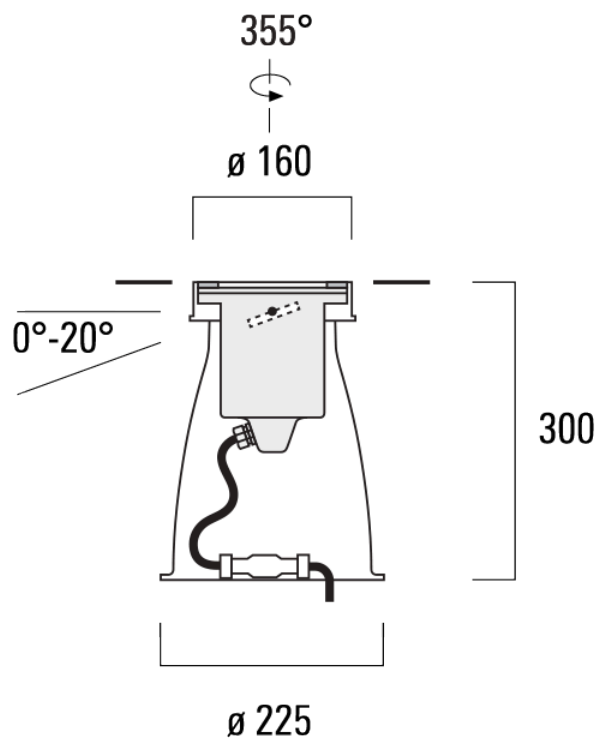




# ETC120-GB LED

Inground luminaires

**we-ef**



## WE-EF LEUCHTEN GmbH

Töpinger Straße 16, 29646 Bispingen, Germany - Phone: +49 5194 909-0  
info@we-ef.com - <https://we-ef.com>

Subject to technical changes and errors. - Generated on 23/11/2024

# ETC120-GB LED

## Inground luminaires

### Description


IP67, Class I. IK10+. Stainless steel construction including PCS hardware. Silicone rubber gasket. Safety glass lens; max. load 5 tonnes. Luminaire can be driven over at low speed. Anti-wick technology, equipped with a cable gland and 1.5 meters of flexible, PVC-free cable.

Cable gland with spiral cable bending protection. Gimbal mounted, 20° tilt and 355° rotatable. Factory installed circuit board with High Efficiency LEDs. The optional installation blackout is recommended for mounting. To be ordered separately.

### Specifications

#### Material description

---

Body	Stainless steel construction
Lens	Safety glass lens; max. load 5 tonnes
Colours	 Stainless Steel
Gasket	Silicone rubber gasket
Fasteners	PCS Polymer Coated Stainless Steel Hardware
Ingress protection	IP67
Impact resistance	IK10+

---

#### Electrical description

---

Power supply	220-240V / 50-60 Hz
Driver / Ballast	Integral EC electronic converter
Termination	Factory sealed termination chamber
Power factor	> 0.9

---

#### Additional information

---

Lifetime	LED >60,000 h Ta 25°(B10/70) Control gear >50,000 h Ta 25°
Additonal Information	- Gimbal mounted, 355° rotatable and 20° tilt - option with Anti-Slip ceramic Coating ASC available on request

---

# ETC120-GB LED

Inground luminaires

**we-ef**

## Options

Light distribution   Colour temperature   Nominal Watt

### **WE-EF LEUCHTEN GmbH**

Töpinger Straße 16, 29646 Bispingen, Germany - Phone: +49 5194 909-0  
info@we-ef.com - <https://we-ef.com>

Subject to technical changes and errors. - Generated on 23/11/2024

# ETC120-GB LED

Inground luminaires



## Configurations

Light distribution	Part ID	Light source	Rated lumens	Rated input power	CRI	Weight (kg)
--------------------	---------	--------------	--------------	-------------------	-----	-------------

### WE-EF LEUCHTEN GmbH

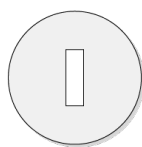
Töpinger Straße 16, 29646 Bispingen, Germany - Phone: +49 5194 909-0  
info@we-ef.com - <https://we-ef.com>

Subject to technical changes and errors. - Generated on 23/11/2024

### Mounting Accessories

#### Installation cover

Description	Part ID	C1
Installation cover BE	185-0796	160



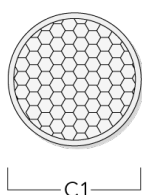
C1

**Optical Accessories****Honeycomb louvre**

---

Description	Part ID	C1
Honeycomb Louvre	185-2869	60

---



---

**Linear spread lens**

---

Description	Part ID	C1
Linear spread lens IO-180	185-9612	60

---

