

**ETC120-GB LED**

**Inground luminaires**

**we-ef**



**WE-EF LIGHTING Pty Ltd**

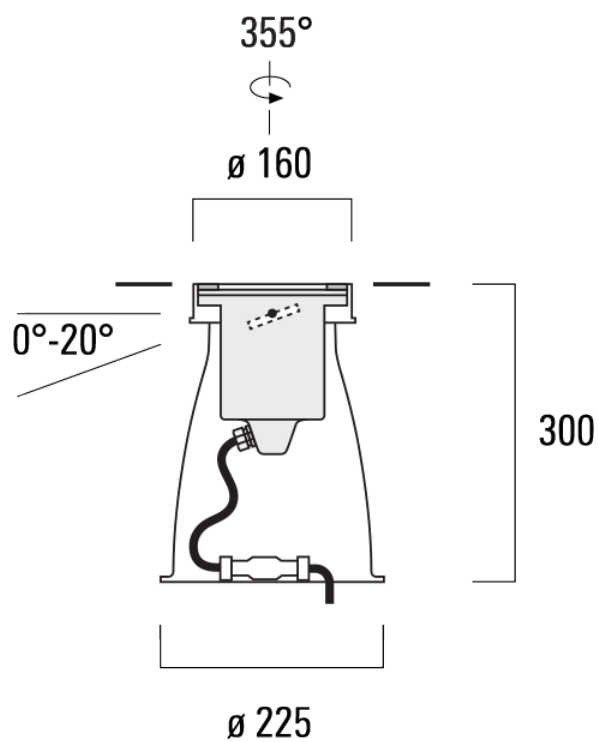
6/13 Downard Street, 3195 Braeside, Victoria - Phone: +61 3 8587 0444 - Fax: +61 3 8587 0499

info.australia@we-ef.com - <https://we-ef.com/aus>

Subject to technical changes and errors. - Generated on 23/11/2024

**ETC120-GB LED**  
**Inground luminaires**

**we-ef**



**WE-EF LIGHTING Pty Ltd**

6/13 Downard Street, 3195 Braeside, Victoria - Phone: +61 3 8587 0444 - Fax: +61 3 8587 0499

info.australia@we-ef.com - <https://we-ef.com/aus>

Subject to technical changes and errors. - Generated on 23/11/2024

# ETC120-GB LED

## Inground luminaires

### Description

IP67, Class I, IK10+. Stainless steel construction including PCS hardware. Silicone rubber gasket. Safety glass lens; max. load 5 tonnes. Luminaire can be driven over at low speed. Anti-wick technology, equipped with a cable gland and 1.5 meters of flexible, PVC-free cable.

Cable gland with spiral cable bending protection. Gimbal mounted, 20° tilt and 355° rotatable. Factory installed circuit board with High Efficiency LEDs. The optional installation blackout is recommended for mounting. To be ordered separately.


# ETC120-GB LED

## Inground luminaires

### Specifications

#### Material description

---

Body	Stainless steel construction
Lens	Safety glass lens, max. load 5 tonnes
Colours	 Stainless Steel
Gasket	Silicone rubber gasket
Fasteners	PCS Polymer Coated Stainless Steel Hardware
Ingress protection	IP67
Impact resistance	IK10+

---

#### Electrical description

---

Driver / Ballast	Integral EC electronic converter
------------------	----------------------------------

---

#### Additional information

**WE-EF LIGHTING Pty Ltd**

6/13 Downard Street, 3195 Braeside, Victoria - Phone: +61 3 8587 0444 - Fax: +61 3 8587 0499

info.australia@we-ef.com - <https://we-ef.com/aus>

Subject to technical changes and errors. - Generated on 23/11/2024

# ETC120-GB LED

Inground luminaires

**we-ef**

## Options

Light distribution   Colour temperature   Nominal Watt

### **WE-EF LIGHTING Pty Ltd**

6/13 Downard Street, 3195 Braeside, Victoria - Phone: +61 3 8587 0444 - Fax: +61 3 8587 0499

info.australia@we-ef.com - <https://we-ef.com/aus>

Subject to technical changes and errors. - Generated on 23/11/2024

# ETC120-GB LED

Inground luminaires



## Configurations

Light distribution	Part ID	Light source	Rated lumens	Rated input power	CRI	Weight (kg)
--------------------	---------	--------------	--------------	-------------------	-----	-------------

**WE-EF LIGHTING Pty Ltd**

6/13 Downard Street, 3195 Braeside, Victoria - Phone: +61 3 8587 0444 - Fax: +61 3 8587 0499

info.australia@we-ef.com - <https://we-ef.com/aus>

Subject to technical changes and errors. - Generated on 23/11/2024

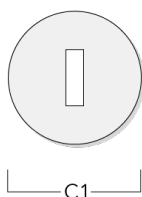
**Mounting Accessories**

**Installation cover**

---

Description	Part ID	C1
Installation cover BE	185-0796	160

---

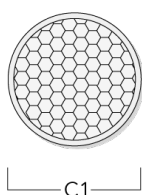


**Optical Accessories****Honeycomb louvre**

---

Description	Part ID	C1
Honeycomb Louvre	185-2869	60

---



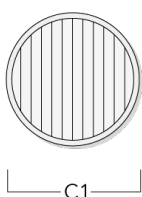
---

**Linear spread lens**

---

Description	Part ID	C1
Linear spread lens IO-180	185-9612	60

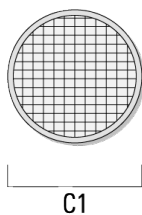
---





**Inground luminaires****Surface wash lens**

Description	Part ID	C1
Flood lens IO-360	185-9613	60

**Linear louvre**

Description	Part ID	Additional information	C1
Linear louvre IL for 120-GB LED	185-9614	ETC320	60



**Colour filter**

---

Description	Part ID
Colour filter IF	on request

---

