

**ETC120-GB LED**

**Inground luminaires**

**we-ef**



**Fagerhult Lighting Ltd**

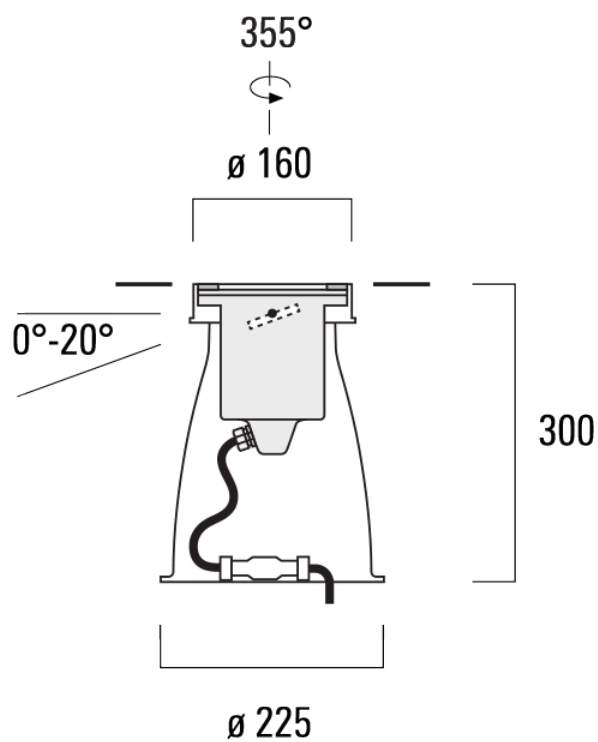
33-34 Dolben Street, SE1 0UQ London, United Kingdom

<https://we-ef.com/uk>

Subject to technical changes and errors. - Generated on 23/11/2024

**ETC120-GB LED**  
Inground luminaires

**we-ef**



**Fagerhult Lighting Ltd**

33-34 Dolben Street, SE1 0UQ London, United Kingdom

<https://we-ef.com/uk>

Subject to technical changes and errors. - Generated on 23/11/2024

# ETC120-GB LED

## Inground luminaires

### Description

IP67, Class I. IK10+. Stainless steel construction including PCS hardware. Silicone rubber gasket. Safety glass lens; max. load 5 tonnes. Luminaire can be driven over at low speed. Anti-wick technology, equipped with a cable gland and 1.5 meters of flexible, PVC-free cable.

Cable gland with spiral cable bending protection. Gimbal mounted, 20° tilt and 355° rotatable. Factory installed circuit board with High Efficiency LEDs. The optional installation blackout is recommended for mounting. To be ordered separately.


# ETC120-GB LED

## Inground luminaires

### Specifications

#### Material description

---

|                    |   |
|--------------------|---|
| Body               | Stainless steel construction  |
| Lens               | Safety glass lens; max. load 5 tonnes   |
| Colours            |  Stainless Steel |
| Gasket             | Silicone rubber gasket  |
| Fasteners          | PCS Polymer Coated Stainless Steel Hardware   |
| Ingress protection | IP67  |
| Impact resistance  | IK10+   |

---

#### Electrical description

---

|                  |                                    |
|------------------|------------------------------------|
| Power supply     | 220-240V / 50-60 Hz                |
| Driver / Ballast | Integral EC electronic converter   |
| Termination      | Factory sealed termination chamber |
| Power factor     | > 0.9                              |

---

#### Additional information

---

|                       |   |
|-----------------------|---|
| Lifetime              | LED >60,000 h Ta 25°(B10/70)<br>Control gear >50,000 h Ta 25°   |
| Additonal Information | - Gimbal mounted, 355° rotatable and 20° tilt<br>- option with Anti-Slip ceramic Coating ASC available on request |

---

# ETC120-GB LED

Inground luminaires

**we-ef**

## Options

Light distribution   Colour temperature   Nominal Watt

### Fagerhult Lighting Ltd

33-34 Dolben Street, SE1 0UQ London, United Kingdom

<https://we-ef.com/uk>

Subject to technical changes and errors. - Generated on 23/11/2024

# ETC120-GB LED

Inground luminaires



## Configurations

| Light distribution | Part ID | Light source | Rated lumens | Rated input power | CRI | Weight (kg) |
|--------------------|---------|--------------|--------------|-------------------|-----|-------------|
|--------------------|---------|--------------|--------------|-------------------|-----|-------------|

**Fagerhult Lighting Ltd**

33-34 Dolben Street, SE1 0UQ London, United Kingdom

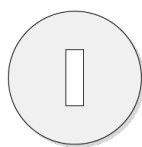
<https://we-ef.com/uk>

Subject to technical changes and errors. - Generated on 23/11/2024

### Mounting Accessories

#### Installation cover

| Description           | Part ID  | C1  |
|-----------------------|----------|-----|
| Installation cover BE | 185-0796 | 160 |



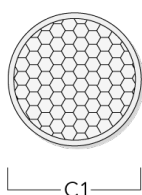
C1

**Optical Accessories****Honeycomb louvre**

---

| Description      | Part ID  | C1 |
|------------------|----------|----|
| Honeycomb Louvre | 185-2869 | 60 |

---



---

**Linear spread lens**

---

| Description               | Part ID  | C1 |
|---------------------------|----------|----|
| Linear spread lens IO-180 | 185-9612 | 60 |

---

