

**ETC120-GB LED**

**Inground Luminaires**

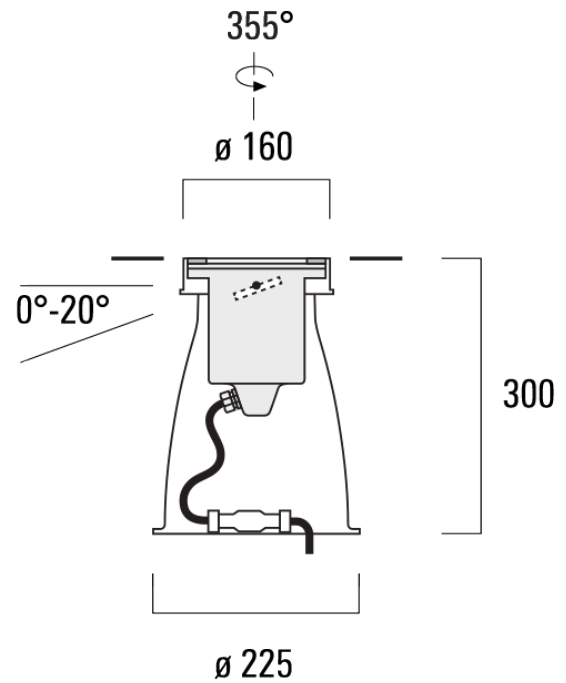


**WE-EF LIGHTING USA, LLC**

410-D Keystone Drive, 15086 Warrendale, PA 15086 - Phone: +1 724 742 0030  
customersupport.usa@we-ef.com - <https://we-ef.com/us>  
Subject to technical changes and errors. - Generated on 11/23/2024

**ETC120-GB LED**  
**Inground Luminaires**

**we-ef**



**WE-EF LIGHTING USA, LLC**

410-D Keystone Drive, 15086 Warrendale, PA 15086 - Phone: +1 724 742 0030  
customersupport.usa@we-ef.com - <https://we-ef.com/us>  
Subject to technical changes and errors. - Generated on 11/23/2024

# ETC120-GB LED

## Inground Luminaires

### Description

IP69K, Class I, IK10+. Stainless steel construction including PCS hardware. Suitable for flush installation in concrete or earth. Silicone rubber gasket. Safety glass lens; max. load 5 tonnes (11,000 lbs). Luminaire can be driven over at low speed. Factory-sealed termination chamber complete with cable gland and 3 ft of flexible PVC free, gel-impregnated anti-wicking cable. Cable gland with spiral cable bending protection. Integral driver in thermally separated compartment. 'No tool' removable gear/reflector tray. CAD-optimized optics for superior illumination and glare control. OLC® One LED Concept. Factory installed LED circuit board. Gimbal mounted, 355° rotatable and 20° tiltable.

The concrete-pour installation blackout is supplied as standard with luminaire.

Specify product with 7 Digit product code. (Other accessories, such as mounting, optical, and electrical, must be specified separately.)

Example: XXX-XXXX

+ XXX-XXXX (Accessories)

### WE-EF LIGHTING USA, LLC

410-D Keystone Drive, 15086 Warrendale, PA 15086 - Phone: +1 724 742 0030  
customersupport.usa@we-ef.com - <https://we-ef.com/us>

Subject to technical changes and errors. - Generated on 11/23/2024

# ETC120-GB LED

## Inground Luminaires

### Specifications

#### Material description

---

Colors  Stainless Steel

Ingress protection IP69K

---

#### Electrical description

#### Additional information

---

Listings ETL listed. Suitable for wet locations.

---

#### WE-EF LIGHTING USA, LLC

410-D Keystone Drive, 15086 Warrendale, PA 15086 - Phone: +1 724 742 0030  
customersupport.usa@we-ef.com - <https://we-ef.com/us>

Subject to technical changes and errors. - Generated on 11/23/2024

# ETC120-GB LED

## Inground Luminaires



### Options

#### Light distribution



symmetric, medium beam [M]



symmetric, very narrow beam [VN]

#### Color temperature



2700 K

#### Nominal Watt

0 W

#### WE-EF LIGHTING USA, LLC

410-D Keystone Drive, 15086 Warrendale, PA 15086 - Phone: +1 724 742 0030

customersupport.usa@we-ef.com - <https://we-ef.com/us>

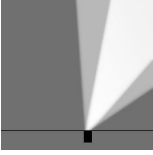
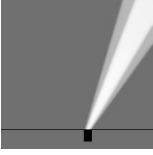
Subject to technical changes and errors. - Generated on 11/23/2024

# ETC120-GB LED

## Inground Luminaires



### Configurations

Light distribution	Part ID	Light source	Rated lumens	Rated input power	CRI	Weight (lb)
symmetric, medium beam [M] 	185-7784	LED-3/9W / 1050 mA - 2700 K	920.5	11 W	80	8.40
symmetric, very narrow beam [VN] 	185-7785	LED-3/9W / 1050 mA - 2700 K	1009.5	11 W	80	8.40

#### WE-EF LIGHTING USA, LLC

410-D Keystone Drive, 15086 Warrendale, PA 15086 - Phone: +1 724 742 0030

customersupport.usa@we-ef.com - <https://we-ef.com/us>

Subject to technical changes and errors. - Generated on 11/23/2024

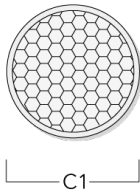
**Optical Accessories**

**Honeycomb louvre**

---

Description	Part ID	C1
IW-ETC120_GB_LED Honeycomb louvre	185-2869	2.89

---





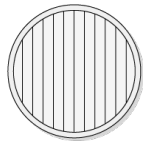
**Inground Luminaires**

**Linear spread lens**

---

Description	Part ID	C1
Linear spread lens IO-180	185-9612	2.36

---



C1