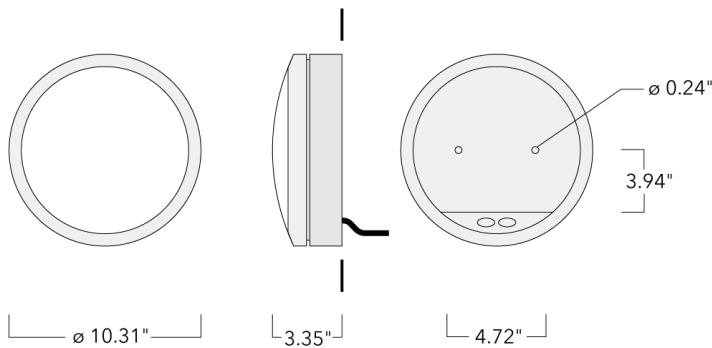


# DLO229 LED

## Surface Mounted Wall Luminaires

**we-ef**



### Description

ADA (American Disabilities Act) Compliant.

IP55. Class I. IK10. Marine-grade, die-cast aluminum alloy. 5CE superior corrosion protection including PCS hardware. Silicone CCG® Controlled Compression Gasket. Polycarbonate main lens. Integral driver. Factory-installed LED circuit board. 0-10V Dimming comes standard with luminaire.

Suitable for installation on ceiling or wall over 4" recessed junction box.

Specify product with 7 Digit product code - Finish Color. Accessories, such as mounting, optical, and electrical, must be specified separately.

Example: XXX-XXXX-9004 (Black)  
+ XXX-XXXX (Accessory 1)

### WE-EF LIGHTING USA, LLC

410-D Keystone Drive, 15086 Warrendale, PA 15086 - Phone: +1 724 742 0030  
customersupport.usa@we-ef.com - <https://we-ef.com/us>  
Subject to technical changes and errors. - Generated on 11/23/2024





# DLO229 LED

## Surface Mounted Wall Luminaires

### Specifications

#### Material description

---

|                      |  |
|----------------------|--|
| Body                 | Luminaire body and lens frame constructed in die cast aluminum.  |
| Lens                 | Opal polycarbonate lens.   |
| Colors               |  RAL9004 Black<br> RAL9007 Grey Metallic<br> RAL9016 White<br> RAL8019 Dark Bronze |
| Gasket               | Silicone rubber gasket   |
| Fasteners            | PCS polymer coated stainless steel   |
| Ingress protection   | IP55   |
| Impact resistance    | IK10   |
| Corrosion resistance | 5CE  |

---

#### Electrical description

---

|                  |   |
|------------------|---|
| Power supply     | Integral [ECG] electronic driver 120V-277V. 0-10V dimmable, to be specified with order. |
| Driver / Ballast | Integral EC electronic converter  |

---

#### Additional information

---

|          |  |
|----------|--|
| Lifetime | Ta=25°/40° L70B50 > 50000h                                 |
| Listings | ETL, UL-1598, CSA-C22.2#250.0. Suitable for Wet Locations. |

---

#### WE-EF LIGHTING USA, LLC

410-D Keystone Drive, 15086 Warrendale, PA 15086 - Phone: +1 724 742 0030  
customersupport.usa@we-ef.com - <https://we-ef.com/us>  
Subject to technical changes and errors. - Generated on 11/23/2024

# DLO229 LED

## Surface Mounted Wall Luminaires



### Options

#### Light distribution



diffused distribution

#### Color temperature



3000 K



4000 K



2700 K

#### Nominal Watt

15 W

#### WE-EF LIGHTING USA, LLC


410-D Keystone Drive, 15086 Warrendale, PA 15086 - Phone: +1 724 742 0030  
customersupport.usa@we-ef.com - <https://we-ef.com/us>

Subject to technical changes and errors. - Generated on 11/23/2024

# DLO229 LED

## Surface Mounted Wall Luminaires

### Configurations

| Light distribution  | Part ID  | Light source                 | Rated lumens | Rated input power | CRI | Weight (lb) |
|---|----------|------------------------------|--------------|-------------------|-----|-------------|
| diffused distribution<br> | 195-0893 | LED-FT-17W / 500 mA - 2700 K | 1346.8       | 20 W              | 80  | 3.50        |
|   | 195-9521 | LED-FT-17W / 500 mA - 3000 K | 1408.7       | 20 W              | 80  | 3.50        |
|   | 195-9522 | LED-FT-17W / 500 mA - 4000 K | 1468.4       | 20 W              | 80  | 3.50        |

**WE-EF LIGHTING USA, LLC**

410-D Keystone Drive, 15086 Warrendale, PA 15086 - Phone: +1 724 742 0030  
customersupport.usa@we-ef.com - <https://we-ef.com/us>  
Subject to technical changes and errors. - Generated on 11/23/2024