

# DLS229 LED

Wall luminaires surface mounted

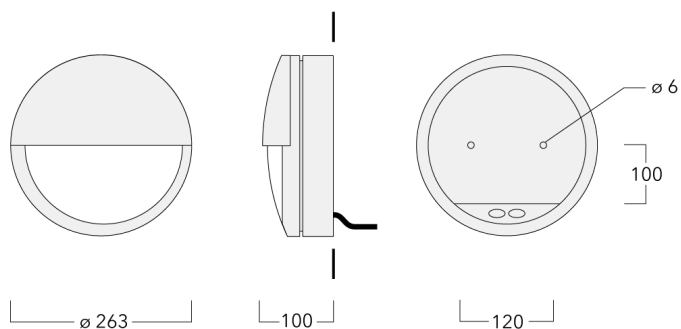
**we-ef**



## Description

IP66, Class I. IK10. Marine-grade, die-cast aluminium alloy. 5CE superior corrosion protection + primer including PCS hardware. Polycarbonate lens. Silicone rubber gasket. Two cable entries.

Integral EC electronic converter. Advanced thermal management protects LEDs while optimising lumens output.



## WE-EF LIGHTING Pty Ltd




6/13 Downard Street, 3195 Braeside, Victoria - Phone: +61 3 8587 0444 - Fax: +61 3 8587 0499

info.australia@we-ef.com - <https://we-ef.com/aus>

Subject to technical changes and errors. - Generated on 23/11/2024

**Specifications****Material description**

---

Body	Marine-grade die-cast aluminium alloy
Lens	Polycarbonate lens
Colours	 RAL9004 Signal black  RAL9006 White aluminium  RAL9007 Grey aluminium
Gasket	Silicone rubber gasket
Fasteners	PCS Polymer Coated Stainless Steel Hardware (unpainted)
Ingress protection	IP66
Impact resistance	IK10
Corrosion resistance	5CE+Primer

---

**Electrical description**

---

Power supply	230V / 50 Hz
Driver / Ballast	Integral EC electronic converter

---

**Additional information**

---

Lifetime	Ta=40° L70B50 > 50000h
Warranty	The product is supplied with 10-year warranty. Please refer to the LED Warranty Statement located on <a href="http://www.we-ef.com">www.we-ef.com</a> for further details.

---

# DLS229 LED

Wall luminaires surface mounted

## Options

### Light distribution



diffused distribution

### Colour temperature



3000 K



4000 K



2700 K


### Nominal Watt

15 W

# DLS229 LED

Wall luminaires surface mounted

## Configurations

Light distribution	Part ID	Light source	Rated lumens	Rated input power	CRI	Weight (kg)
diffused distribution 	195-0897	LED-FT-17W / 500 mA - 2700 K	931.6	20 W	80	2.20
	195-9527	LED-FT-17W / 500 mA - 3000 K	974.4	20 W	80	2.20
	195-9528	LED-FT-17W / 500 mA - 4000 K	1015.7	20 W	80	2.20