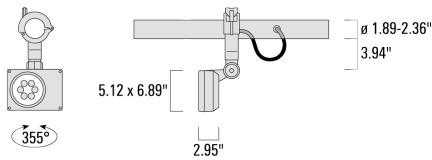




Description





IP66. RAIL66 LED projector. IP rated in-line connector and mounting clamp for installation to RAIL66 mounting system. Integral control gear in thermally separated compartment. Special effects can be realized with linear lens, flood lens, or color filters.



RAIL66

Specifications

Material description

| | |
|----------------------|--|
| Body | Marine-grade, die-cast aluminium alloy |
| Lens | Safety glass lens |
| Colors |  RAL9004 Black  RAL9007 Grey Metallic  RAL9016 White  RAL8019 Dark Bronze |
| Gasket | Silicone rubber gasket |
| Fasteners | PCS Polymer Coated Stainless Steel Hardware |
| Ingress protection | IP66 |
| Impact resistance | IK07 |
| Corrosion resistance | 5CE |

Electrical description

| | |
|------------------|---|
| Power supply | 220-240V / 50-60 Hz |
| Driver / Ballast | Integral EC electronic converter in thermally-separated compartment |

Additional information

WE-EF LIGHTING USA, LLC

410-D Keystone Drive, 15086 Warrendale, PA 15086 - Phone: +1 724 742 0030
customersupport.usa@we-ef.com - <https://we-ef.com/us>
Subject to technical changes and errors. - Generated on 11/23/2024

FLD121 LED RAIL66

RAIL66

we-ef

Options

Light distribution Color temperature Nominal Watt

WE-EF LIGHTING USA, LLC

410-D Keystone Drive, 15086 Warrendale, PA 15086 - Phone: +1 724 742 0030
customersupport.usa@we-ef.com - <https://we-ef.com/us>

Subject to technical changes and errors. - Generated on 11/23/2024

Configurations

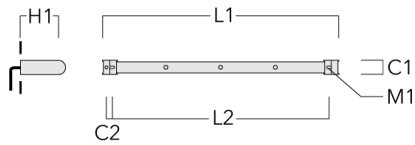
| Light distribution | Part ID | Light source | Rated lumens | Rated input power | CRI | Weight (lb) |
|--------------------|---------|--------------|--------------|-------------------|-----|-------------|
|--------------------|---------|--------------|--------------|-------------------|-----|-------------|

RAIL66

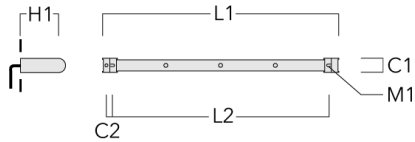
Mounting Accessories

Universal

| Description | Part ID | C1 | C2 | H1 | M1 | Weight (lb) | L1 | L2 |
|---------------------------|----------|------|------|------|-----|-------------|-------|-------|
| 2 Mains outlets (L=45.28) | 310-9200 | 3.00 | 1.20 | 7.90 | 0.5 | 13.00 | 45.28 | 41.14 |



| | | | | | | | | |
|---------------------------|----------|------|------|------|-----|-------|-------|-------|
| 3 Mains outlets (L=45.28) | 310-9202 | 3.00 | 1.20 | 7.90 | 0.5 | 13.00 | 45.28 | 41.14 |
|---------------------------|----------|------|------|------|-----|-------|-------|-------|



WE-EF LIGHTING USA, LLC

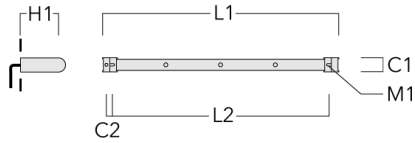
410-D Keystone Drive, 15086 Warrendale, PA 15086 - Phone: +1 724 742 0030
 customersupport.usa@we-ef.com - <https://we-ef.com/us>

Subject to technical changes and errors. - Generated on 11/23/2024

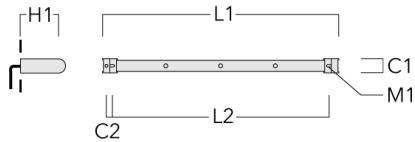
FLD121 LED RAIL66

RAIL66

| Description | Part ID | C1 | C2 | H1 | M1 | Weight (lb) | L1 | L2 |
|---------------------------|----------|------|------|------|-----|-------------|-------|-------|
| 3 Mains outlets (L=64.69) | 310-9210 | 3.00 | 1.18 | 7.90 | 0.5 | 15.90 | 64.69 | 60.83 |



| | | | | | | | | |
|---------------------------|----------|------|------|------|---|-----------|-------|-------|
| 4 Mains outlets (L=64.69) | 310-9212 | 3.00 | 1.18 | 7.90 | 5 | 13.00 lbs | 64.69 | 60.83 |
|---------------------------|----------|------|------|------|---|-----------|-------|-------|



WE-EF LIGHTING USA, LLC

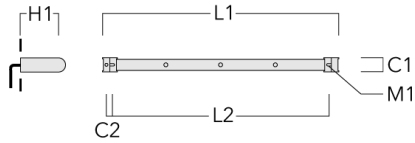
410-D Keystone Drive, 15086 Warrendale, PA 15086 - Phone: +1 724 742 0030
customersupport.usa@we-ef.com - <https://we-ef.com/us>

Subject to technical changes and errors. - Generated on 11/23/2024

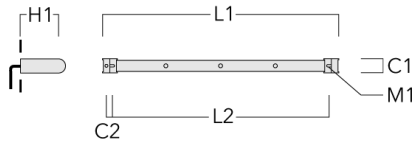
FLD121 LED RAIL66

RAIL66

| Description | Part ID | C1 | C2 | H1 | M1 | Weight (lb) | L1 | L2 |
|---------------------------|----------|------|------|------|-----|-------------|-------|-------|
| 4 Mains outlets (L=84.65) | 310-9220 | 3.00 | 1.18 | 7.90 | 0.5 | 18.76 | 84.65 | 80.51 |



| | | | | | | | | |
|---------------------------|----------|------|------|------|-----|-------|-------|-------|
| 6 Mains outlets (L=84.65) | 310-9222 | 3.00 | 1.18 | 7.90 | 0.5 | 18.76 | 84.65 | 80.51 |
|---------------------------|----------|------|------|------|-----|-------|-------|-------|



WE-EF LIGHTING USA, LLC

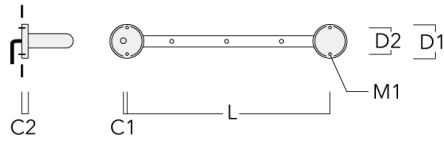
410-D Keystone Drive, 15086 Warrendale, PA 15086 - Phone: +1 724 742 0030
customersupport.usa@we-ef.com - <https://we-ef.com/us>

Subject to technical changes and errors. - Generated on 11/23/2024

RAIL66

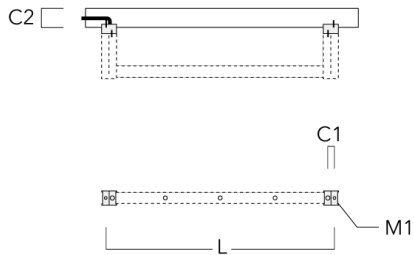
Flat Surface Fitters

| Description | Part ID | C1 | C2 | D1 | D2 | L | M1 | Weight (lb) |
|------------------------|----------|------|------|-----|-----|------|-----|-------------|
| Surface fitters (pair) | 310-9290 | 0.79 | 1.18 | 7.1 | 5.5 | 42.1 | .35 | 3.70 |



Column Fitters

| Description | Part ID | C1 | C2 | L | M1 | Weight (lb) |
|-----------------------|----------|------|------|------|----|-------------|
| Column Fitters (pair) | 310-9294 | 1.20 | 4.00 | 43.9 | .5 | 2.00 |



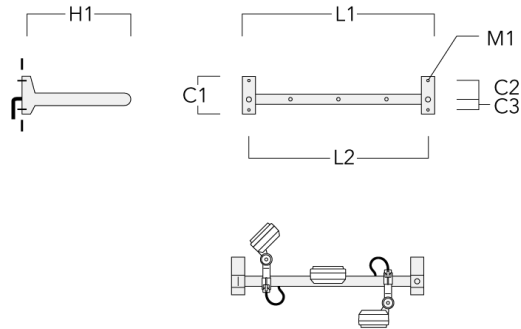
WE-EF LIGHTING USA, LLC

410-D Keystone Drive, 15086 Warrendale, PA 15086 - Phone: +1 724 742 0030
 customersupport.usa@we-ef.com - <https://we-ef.com/us>
 Subject to technical changes and errors. - Generated on 11/23/2024

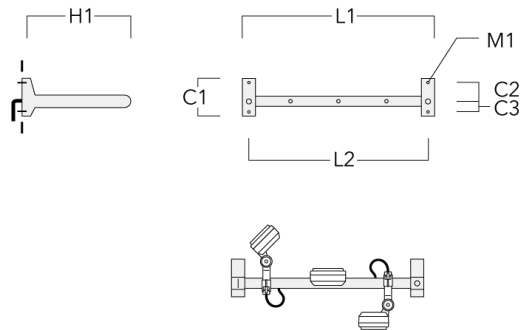
RAIL66

Cantilever

| Description | Part ID | C1 | C2 | C3 | H1 | M1 | Weight(lb) | L1 | L2 |
|---------------------------|----------|------|------|------|-------|------|------------|-------|-------|
| 2 Mains outlets (L=45.28) | 310-9230 | 8.66 | 4.72 | 2.36 | 23.62 | 0.51 | 0.47 | 45.28 | 42.13 |

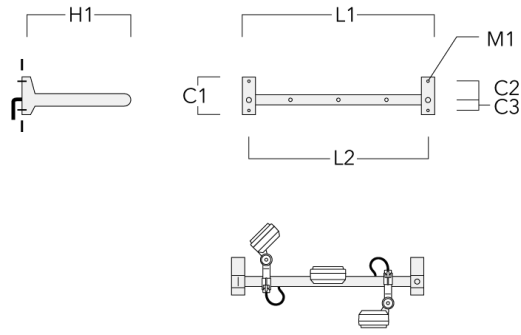


| | | | | | | | | | |
|---------------------------|----------|------|------|------|-------|------|------|-------|-------|
| 3 Mains outlets (L=45.28) | 310-9232 | 8.66 | 4.72 | 2.36 | 23.62 | 0.51 | 0.47 | 45.28 | 42.13 |
|---------------------------|----------|------|------|------|-------|------|------|-------|-------|

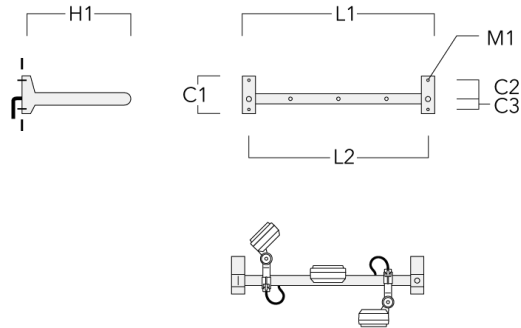


RAIL66

| Description | Part ID | C1 | C2 | C3 | H1 | M1 | Weight (lb) | L1 | L2 |
|---------------------------|----------|-----|-----|----|-----|----|-------------|------|------|
| 3 Mains outlets (L=64.69) | 310-9240 | 220 | 120 | 60 | 600 | 13 | 13.30 | 1650 | 1570 |



| | | | | | | | | | |
|---------------------------|----------|-----|-----|----|-----|----|-------|------|------|
| 4 Mains outlets (L=64.69) | 310-9242 | 220 | 120 | 60 | 600 | 13 | 13.30 | 1650 | 1570 |
|---------------------------|----------|-----|-----|----|-----|----|-------|------|------|



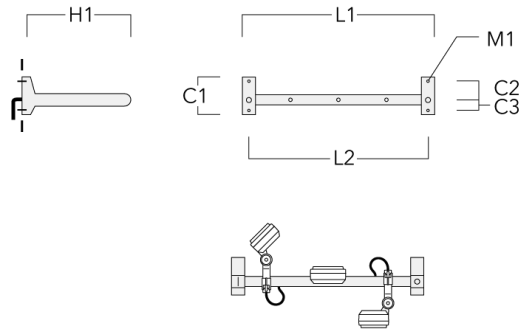
WE-EF LIGHTING USA, LLC

410-D Keystone Drive, 15086 Warrendale, PA 15086 - Phone: +1 724 742 0030
 customersupport.usa@we-ef.com - <https://we-ef.com/us>
 Subject to technical changes and errors. - Generated on 11/23/2024

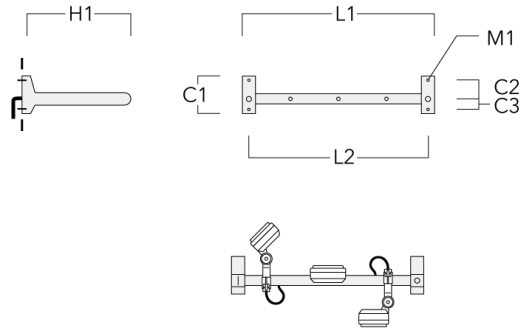
FLD121 LED RAIL66

RAIL66

| Description | Part ID | C1 | C2 | C3 | H1 | M1 | Weight (lb) | L1 | L2 |
|---------------------------|----------|-----|-----|----|-----|----|-------------|------|------|
| 4 Mains outlets (L=84.65) | 310-9250 | 220 | 120 | 60 | 600 | 13 | 14.60 | 2150 | 2070 |



| | | | | | | | | | |
|---------------------------|----------|-----|-----|----|-----|----|-------|------|------|
| 6 Mains outlets (L=84.65) | 310-9252 | 220 | 120 | 60 | 600 | 13 | 14.60 | 2150 | 2070 |
|---------------------------|----------|-----|-----|----|-----|----|-------|------|------|



WE-EF LIGHTING USA, LLC

410-D Keystone Drive, 15086 Warrendale, PA 15086 - Phone: +1 724 742 0030
 customersupport.usa@we-ef.com - <https://we-ef.com/us>

Subject to technical changes and errors. - Generated on 11/23/2024