



### Description

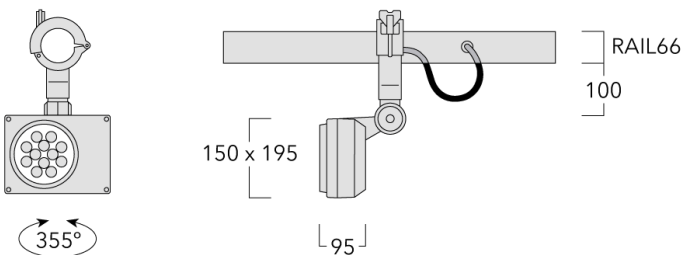
IP66, Class I. IK07. Marine-grade, die-cast aluminium alloy. 5CE superior corrosion protection + primer including PCS hardware. Safety glass lens. Silicone CCG® Controlled Compression Gasket. Luminaire is factory-sealed and does not need to be opened during installation.

Integral EC electronic converter in thermally-separated compartment. Advanced thermal management protects LEDs while optimising lumens output. CAD-optimised optics for superior illumination and glare control. OLC® One LED Concept.

Including 0.4 m of flexible cable enclosed in a stainless conduit, in-line connector and mounting clamp for installation to RAIL66 mounting system.




2700 K option available on request.

If ordering a fitting to be installed on an existing rail, please confirm the rail version with your local distributor or our customer excellence team as connectors vary.



**Specifications****Material description**

---

Body	Marine-grade, die-cast aluminium alloy
Lens	Safety glass lens
Colours	 RAL9004 Signal black  RAL9006 White aluminium  RAL9007 Grey aluminium
Gasket	Silicone CCG® Controlled Compression Gasket
Fasteners	PCS Polymer Coated Stainless Steel Hardware (unpainted)
Ingress protection	IP66
Impact resistance	IK07
Corrosion resistance	5CE+Primer

---

**Electrical description**

---

Power supply	230V / 50 Hz
Driver / Ballast	Integral EC electronic converter in thermally-separated compartment

---

**Additional information**

---

Lifetime	Ta=40° L90B10 > 90000h
Warranty	The product is supplied with 10-year warranty. Please refer to the LED Warranty Statement located on <a href="http://www.we-ef.com">www.we-ef.com</a> for further details.

---

# FLD131 LED RAIL66

## RAIL66

### Options

#### Light distribution



symmetric, medium beam [M]



symmetric, very narrow beam [EE]



symmetric, wide beam [B]



symmetric, very narrow beam, sharp cut-off [EES]



wallwash

#### Colour temperature



3000 K



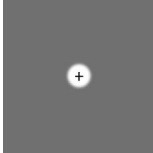
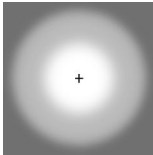



4000 K

#### Nominal Watt

3 W

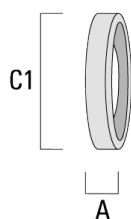
### Configurations

Light distribution	Part ID	Light source	Rated lumens	Rated input power	CRI	Weight (kg)
symmetric, medium beam [M] 	145-9556	LED-12/24W / 700 mA - 3000 K	2908.1	27 W	80	3.00
	145-9559	LED-12/24W / 700 mA - 4000 K	3108.7	27 W	80	3.00
symmetric, very narrow beam [EE] 	145-9557	LED-12/24W / 700 mA - 3000 K	2786.9	27 W	80	3.00
	145-9560	LED-12/24W / 700 mA - 4000 K	2979.1	27 W	80	3.00
symmetric, very narrow beam, sharp cut-off [EES] 	145-9609	LED-12/24W / 700 mA - 3000 K	2985.8	27 W	80	3.60
	145-9611	LED-12/24W / 700 mA - 4000 K	3191.8	27 W	80	3.00
symmetric, wide beam [B] 	145-9608	LED-12/24W / 700 mA - 3000 K	2296.7	27 W	80	3.00
	145-9610	LED-12/24W / 700 mA - 4000 K	2455	27 W	80	3.00
wallwash 	145-9556+145-9577	LED-12/24W / 700 mA - 3000 K	2284.9	27 W	80	3.60
	145-9559+145-9577	LED-12/24W / 700 mA - 4000 K	2442.4	27 W	80	3.60

**Optical Accessories**

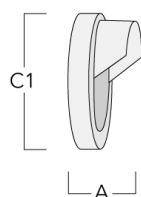
**Optical Adaptor**

Description	Part ID	A	C1
External optical adaptor EA	145-9570	70	134



**Glare shield**

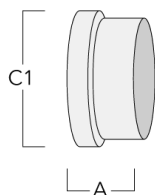
Description	Part ID	A	C1
Glare shield ES	145-9571	70	134



## RAIL66

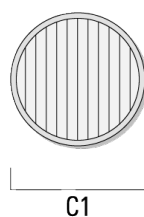
### Snoot

Description	Part ID	A	C1
Snoot ET	145-9572	70	134



### Linear spread lens

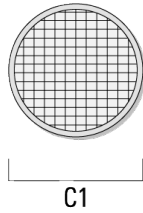
Description	Part ID	C1
EO-180-FLD131-LED	145-9573	130



## RAIL66

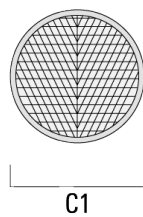
### Surface wash lens

Description	Part ID	C1
EO-360-FLD131-LED	145-9574	130



### Wallwash lens

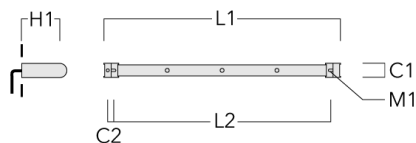
Description	Part ID	C1
Wallwash lens IO-20	145-9577	125



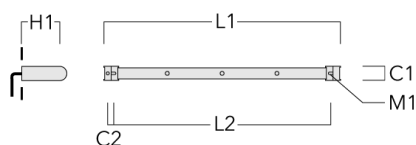
**Mounting Accessories**

**Universal**

Description	Part ID	C1	C2	H1	M1	Weight (kg)	L1	L2
2 Mains outlets (L=1150)	310-9200	75	30	200	12	5.90	1150	1045



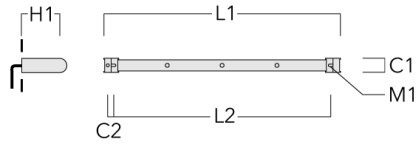
3 Mains outlets (L=1150)	310-9202	75	30	200	12	5.90	1150	1045
--------------------------	----------	----	----	-----	----	------	------	------



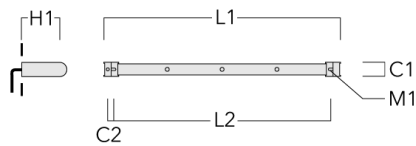


## RAIL66

Description	Part ID	C1	C2	H1	M1	Weight (kg)	L1	L2
3 Mains outlets (L=1650)	310-9210	75	30	200	12	7.20	1650	1545

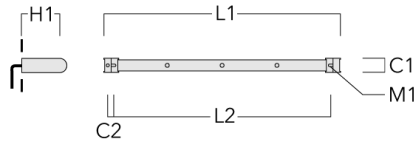


4 Mains outlets (L=1650)	310-9212	75	30	200	12	7.20	1650	1545
--------------------------	----------	----	----	-----	----	------	------	------

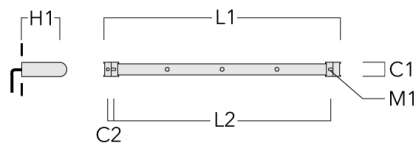


**RAIL66**

Description	Part ID	C1	C2	H1	M1	Weight (kg)	L1	L2
4 Mains outlets (L=2150)	310-9220	75	30	200	12	8.50	2150	2045



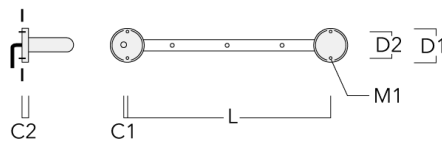
6 Mains outlets (L=2150)	310-9222	75	30	200	12	8.50	2150	2045
--------------------------	----------	----	----	-----	----	------	------	------



**RAIL66**

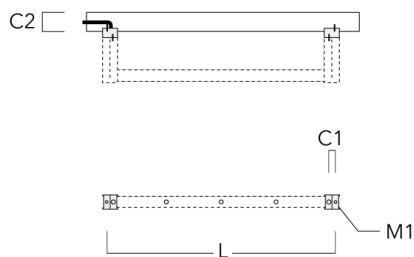
**Flat Surface Fitters**

Description	Part ID	C1	C2	D1	D2	L	M1	Weight (kg)
Surface fitters (pair)	310-9290	20	30	180	140	1070	9	1.70



**Column Fitters**

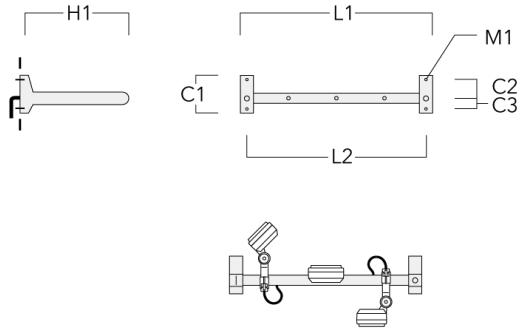
Description	Part ID	C1	C2	L	M1	Weight (kg)
Column fitters (pair)	310-9294	30	100	1115	12	0.90



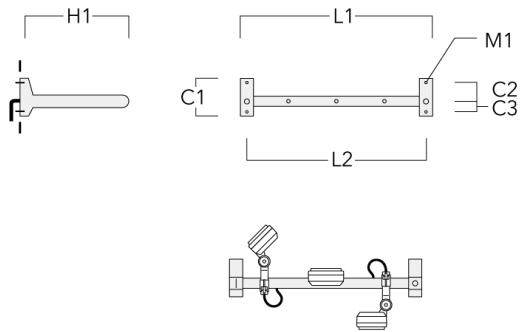
**RAIL66**

**Cantilever**

Description	Part ID	C1	C2	C3	H1	M1	Weight (kg)	L1	L2
2 Mains outlets (L=1150)	310-9230	220	120	60	600	13	12	1150	1070

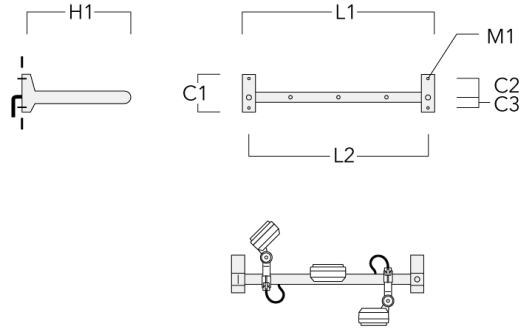


3 Mains outlets (L=1150)	310-9232	220	120	60	600	13	12	1150	1070
--------------------------	----------	-----	-----	----	-----	----	----	------	------

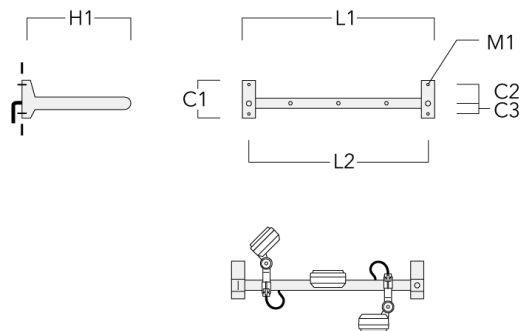


## RAIL66

Description	Part ID	C1	C2	C3	H1	M1	Weight (kg)	L1	L2
3 Mains outlets (L=1650)	310-9240	220	120	60	600	13	13.30	1650	1570

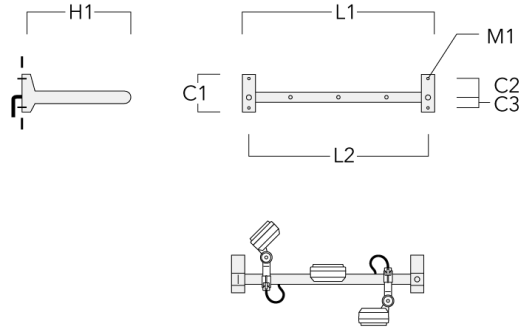


4 Mains outlets (L=1650)	310-9242	220	120	60	600	13	13.30	1650	1570
--------------------------	----------	-----	-----	----	-----	----	-------	------	------



## RAIL66

Description	Part ID	C1	C2	C3	H1	M1	Weight (kg)	L1	L2
4 Mains outlets (L=2150)	310-9250	220	120	60	600	13	14.60	2150	2070



6 Mains outlets (L=2150)	310-9252	220	120	60	600	13	14.60	2150	2070
--------------------------	----------	-----	-----	----	-----	----	-------	------	------

