

DOC240 LED

Ceiling luminaires

we-ef

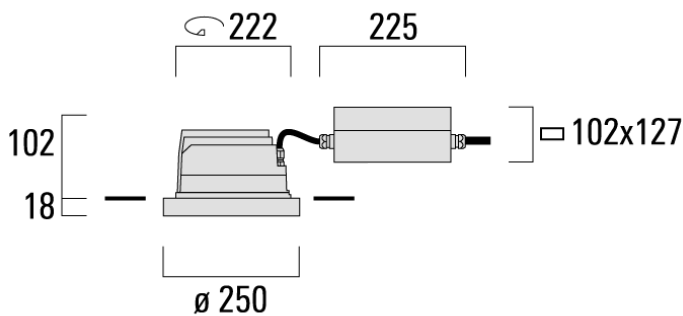


Description

IP66, Class I. IK07. Marine-grade, die-cast aluminium alloy. 5CE superior corrosion protection + primer including PCS hardware. Silicone rubber gasket. Safety glass lens, hinged. Frame with safety catch. Two cable entries. Integral EC electronic converter in thermally separated compartment. CAD-optimised optics for superior illumination and glare control. OLC_R_ One LED Concept. Factory installed LED circuit board.

A pre-installation blockout, proud or flush, is available and recommended for mounting in concrete ceilings. To be ordered separately.

2700 K option available on request.






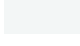
WE-EF LIGHTING Pty Ltd

6/13 Downard Street, 3195 Braeside, Victoria - Phone: +61 3 8587 0444 - Fax: +61 3 8587 0499

info.australia@we-ef.com - <https://we-ef.com/aus>

Subject to technical changes and errors. - Generated on 23/11/2024

Ceiling luminaires**Specifications****Material description**

Body	Marine-grade die-cast aluminium alloy
Lens	Safety glass lens, hinged
Colours	 RAL9004 Signal black  RAL9006 White aluminium  RAL9007 Grey aluminium  RAL9016 Traffic white
Gasket	Silicone rubber gasket
Fasteners	PCS Polymer Coated Stainless Steel Hardware (unpainted)
Ingress protection	IP66
Impact resistance	IK07
Corrosion resistance	5CE+Primer

Electrical description

Power supply	230V / 50 Hz
Driver / Ballast	Integral EC electronic converter in thermally-separated compartment

Additional information

Lifetime	Ta=40° L90B10 > 90000h
Warranty	The product is supplied with 10-year warranty. Please refer to the LED Warranty Statement located on www.we-ef.com for further details.

DOC240 LED

Ceiling luminaires

Options

Light distribution



symmetric, wide beam [B]



symmetric, medium beam [M]



symmetric, very narrow beam [EE]



linear spread, very narrow beam [EE]



symmetric, very narrow beam, sharp cut-off [EES]



linear spread, very narrow beam, sharp cut-off [EES]



wallwash [A20]

Colour temperature



3000 K



4000 K

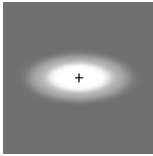
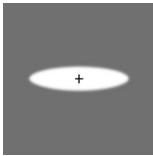
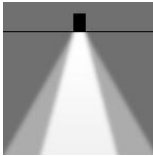
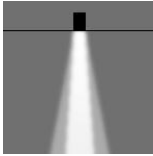
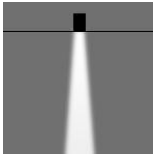
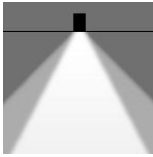



2700 K

Nominal Watt

56 W

Configurations

Light distribution	Part ID	Light source	Rated lumens	Rated input power	CRI	Weight (kg)
linear spread, very narrow beam [EE] 	134-1400+134-1382	LED-24/48W / 700 mA - 3000 K	5545.2	54 W	80	4.00
	134-1401+134-1382	LED-24/48W / 700 mA - 4000 K	5927.6	54 W	80	4.00
linear spread, very narrow beam, sharp cut-off [EES] 	134-1402+134-1382	LED-24/48W / 700 mA - 3000 K	6104.9	54 W	80	4.00
	134-1403+134-1382	LED-24/48W / 700 mA - 4000 K	6526	54 W	80	4.00
symmetric, medium beam [M] 	134-1398	LED-24/48W / 700 mA - 3000 K	6047.2	54 W	80	4.00
	134-1399	LED-24/48W / 700 mA - 4000 K	6464.2	54 W	80	4.00
	134-1936	LED-24/48W / 700 mA - 2700 K	5630.1	54 W	80	4.00
symmetric, very narrow beam [EE] 	134-1400+134-1382	LED-24/48W / 700 mA - 3000 K	5986.1	54 W	80	4.00
	134-1401	LED-24/48W / 700 mA - 4000 K	6398.9	54 W	80	4.00
symmetric, very narrow beam, sharp cut-off [EES] 	134-1402	LED-24/48W / 700 mA - 3000 K	6442.7	54 W	80	4.00
	134-1403	LED-24/48W / 700 mA - 4000 K	6887	54 W	80	4.00
	134-1938	LED-24/48W / 700 mA - 2700 K	5998.4	54 W	80	4.00
symmetric, wide beam [B] 	134-1396	LED-24/48W / 700 mA - 3000 K	5388.5	54 W	80	4.00
	134-1397	LED-24/48W / 700 mA - 4000 K	5760.1	54 W	80	4.00
	134-1935	LED-24/48W / 700 mA - 2700 K	5016.9	54 W	80	4.00
wallwash [A20] 	134-1398+134-1492	LED-24/48W / 700 mA - 3000 K	4851.9	54 W	80	4.00
	134-1399+134-1492	LED-24/48W / 700 mA - 4000 K	5186.6	54 W	80	4.00

DOC240 LED

Ceiling luminaires



Control

DALI interface

Description	Part ID	C
DALI interface	430-0013	90

WE-EF LIGHTING Pty Ltd

6/13 Downard Street, 3195 Braeside, Victoria - Phone: +61 3 8587 0444 - Fax: +61 3 8587 0499

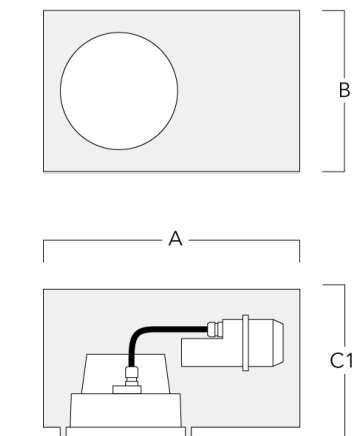
info.australia@we-ef.com - <https://we-ef.com/aus>

Subject to technical changes and errors. - Generated on 23/11/2024

Mounting Accessories

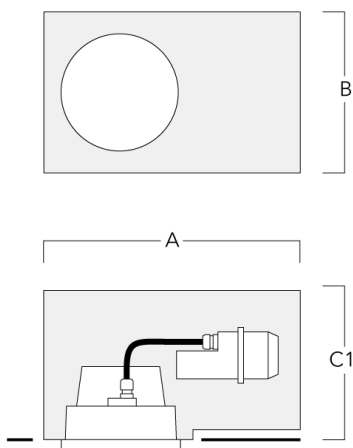
Installation blackout, flush - reduced depth

Description	Part ID	A	B	C1
Installation blackout BDO24-II-RE	134-1714	574	305	227



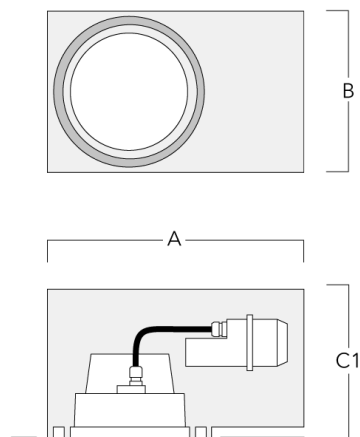
Installation blackout, proud - reduced depth

Description	Part ID	A	B	C1
Installation blackout BDO24-I-RE	134-1717	574	305	209



Installation blackout, flush with shadow line - reduced depth

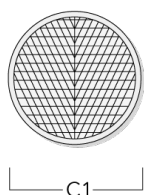
Description	Part ID	A	B	C1
Installation blackout BDO24-III-RE	134-1718	573	305	227



Optical Accessories

Wallwash lens

Description	Part ID	C1
IO-20-WW-DAC/DOC240-LED	134-1492	191



Linear spread lens

Description	Part ID	C1
IO-180-DAC/DOC240-LED	134-1382	191

