

**ETC110-1 LED**  
**Inground Luminaires**

***we-ef***



**WE-EF LIGHTING USA, LLC**

410-D Keystone Drive, 15086 Warrendale, PA 15086 - Phone: +1 724 742 0030

customersupport.usa@we-ef.com - <https://we-ef.com/us>

Subject to technical changes and errors. - Generated on 10/23/2024

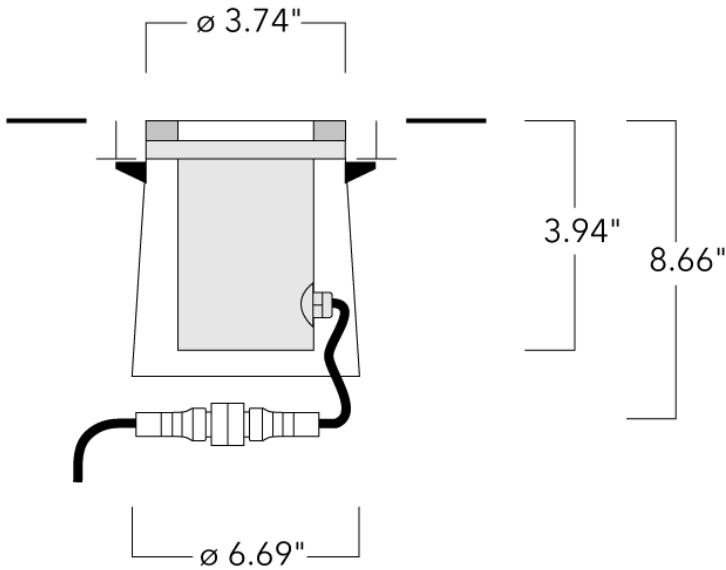
# ETC110-1 LED

## Inground Luminaires



### Description

IP67. 12 Volt AC. LED Inground uplight. Suitable for flush installation in concrete or earth. Special effects and distributions can be realized with linear lens, flood lens, 6° directional lens, 20° directional lens, or color filters. The luminaire will be continuously submersed only. IP68 in-line connector facilitates easy lamp replacement and general maintenance. Suitable for all types of pools and fountains.



### WE-EF LIGHTING USA, LLC

410-D Keystone Drive, 15086 Warrendale, PA 15086 - Phone: +1 724 742 0030

customersupport.usa@we-ef.com - <https://we-ef.com/us>

Subject to technical changes and errors. - Generated on 10/23/2024


# ETC110-1 LED

## Inground Luminaires

### Specifications

#### Material description

---

Body	Stainless steel construcion
Lens	Safety glass lens; max. load 5 tonnes
Colors	 Stainless Steel
Gasket	Silicone rubber gasket
Fasteners	PCS polymer coated stainless steel
Ingress protection	IP67
Impact resistance	IK09

---

#### Electrical description

---

Driver / Ballast	Electronic converter required. To be ordered separately.
------------------	----------------------------------------------------------

---

#### Additional information

---

Lifetime	Ta=25°/40° L90B10 > 90000h
----------	----------------------------

---

#### WE-EF LIGHTING USA, LLC

410-D Keystone Drive, 15086 Warrendale, PA 15086 - Phone: +1 724 742 0030

customersupport.usa@we-ef.com - <https://we-ef.com/us>

Subject to technical changes and errors. - Generated on 10/23/2024

# ETC110-1 LED

Inground Luminaires

**we-ef**

## Options

Light distribution   Color temperature   Nominal Watt

### **WE-EF LIGHTING USA, LLC**

410-D Keystone Drive, 15086 Warrendale, PA 15086 - Phone: +1 724 742 0030  
customersupport.usa@we-ef.com - <https://we-ef.com/us>

Subject to technical changes and errors. - Generated on 10/23/2024

# ETC110-1 LED

## Inground Luminaires



### Configurations

Light distribution	Part ID	Light source	Rated lumens	Rated input power	CRI	Weight (lb)
--------------------	---------	--------------	--------------	-------------------	-----	-------------

#### WE-EF LIGHTING USA, LLC

410-D Keystone Drive, 15086 Warrendale, PA 15086 - Phone: +1 724 742 0030

customersupport.usa@we-ef.com - <https://we-ef.com/us>

Subject to technical changes and errors. - Generated on 10/23/2024

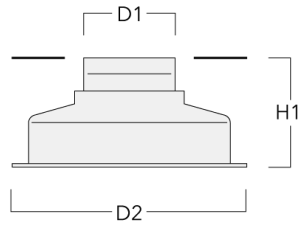
# ETC110-1 LED

## Inground Luminaires

### Mounting Accessories

#### Installation blackout

Description	Part ID	D1	D2	H1	Weight (lb)	D	H
Blockout, Plastic	185-0412	3.74	9.45	4.33	1.1	95/240	110



#### WE-EF LIGHTING USA, LLC

410-D Keystone Drive, 15086 Warrendale, PA 15086 - Phone: +1 724 742 0030

customersupport.usa@we-ef.com - <https://we-ef.com/us>

Subject to technical changes and errors. - Generated on 10/23/2024

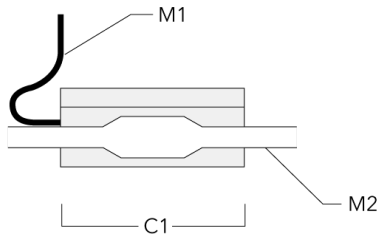
# ETC110-1 LED

## Inground Luminaires

### Electrical Accessories

#### Sealable junction box

Description	Part ID	C1	M1	M2
Sealable junction box SJB 130	185-1624	5.75	Ø 0.39	Ø 0.47 - 0.75



#### Transformers

Description	Part ID
Transformer 120 V - 12 V AC 24.0 W	185-6904
Transformer 120 V - 12 V AC 96.0 W	185-6905
Transformer 120 V - 12 V AC 240.0 W	185-6906

#### WE-EF LIGHTING USA, LLC

410-D Keystone Drive, 15086 Warrendale, PA 15086 - Phone: +1 724 742 0030

customersupport.usa@we-ef.com - <https://we-ef.com/us>

Subject to technical changes and errors. - Generated on 10/23/2024

**ETC110-1 LED**  
**Inground Luminaires**

**WE-EF LIGHTING USA, LLC**

410-D Keystone Drive, 15086 Warrendale, PA 15086  
Phone: +1 724 742 0030

customersupport.usa@we-ef.com  
<https://we-ef.com/us>

Subject to technical changes and errors.  
Generated on 10/23/2024