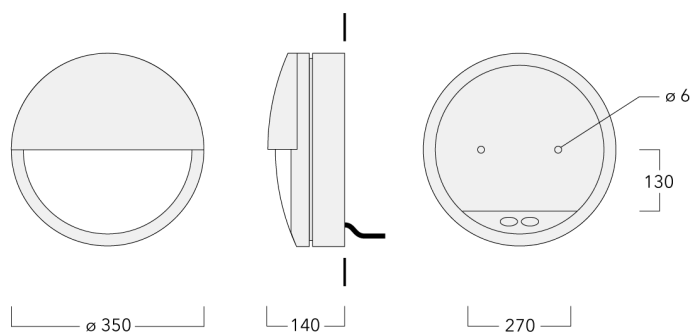


# DLS239 LED

Wall luminaires surface mounted

**we-ef**



## Description

IP55, Class I. IK10. Marine-grade, die-cast aluminium alloy. 5CE superior corrosion protection including PCS hardware. Polycarbonate lens. Silicone rubber gasket. Two cable entries.

Integral EC electronic converter. Advanced thermal management protects LEDs while optimising lumens output.

**WE-EF LIGHTING (Thailand) Co., Ltd.**




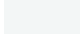
57 Moo 5, Kingkaew Rd., Bangplee, 10540 Samutprakarn - Phone: +66 2 738 96 20 - Fax: +66 2 738 96 29

<https://we-ef.com/asia>

Subject to technical changes and errors. - Generated on 23/11/2024

**Wall luminaires surface mounted****Specifications****Material description**

---

Body	Marine-grade, die-cast aluminium alloy
Lens	Polycarbonate lens
Colours	 RAL9004 Signal black  RAL9007 Grey aluminium  RAL7016 Anthracite grey  RAL9016 Traffic white
Gasket	Silicone rubber gasket
Fasteners	PCS hardware
Ingress protection	IP55
Impact resistance	IK10
Corrosion resistance	5CE

---

**Electrical description**

---

Power supply	220-240V / 50-60 Hz
Driver / Ballast	Integral EC electronic converter

---

**Additional information**

---

Lifetime	Ta=25° L70B50 > 50000h
----------	------------------------

---

# DLS239 LED

Wall luminaires surface mounted

## Options

### Light distribution



diffused distribution

### Colour temperature



3000 K



4000 K



2700 K

### Nominal Watt


27 W

0 W

# DLS239 LED

Wall luminaires surface mounted

## Configurations

Light distribution	Part ID	Light source	Rated lumens	Rated input power	CRI	Weight (kg)
diffused distribution 	195-9542	LED-FT-28W / 800 mA - 3000 K	1198.1	31 W	80	3.90
	195-9543	LED-FT-28W / 800 mA - 4000 K	1250.9	31 W	80	3.90
	195-9559	LED-FT-28W / 800 mA - 2700 K	1150.2	31 W	80	3.90