

OLV330 LED

Wall luminaires surface mounted

we-ef



WE-EF LIGHTING Pty Ltd

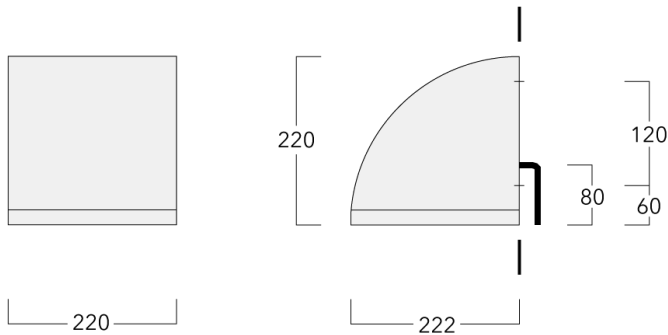
6/13 Downard Street, 3195 Braeside, Victoria - Phone: +61 3 8587 0444 - Fax: +61 3 8587 0499

info.australia@we-ef.com - <https://we-ef.com/aus>

Subject to technical changes and errors. - Generated on 23/11/2024

OLV330 LED

Wall luminaires surface mounted



Description

IP66. IK08. Marine-grade, die-cast aluminium alloy. 5CE superior corrosion protection + primer including PCS hardware. Powdercoat finish in black RAL 9004, grey aluminium RAL 9007 or white RAL 9016. Safety glass lens. Silicone rubber gasket.

Integral EC electronic converter. Advanced thermal management protects LEDs while optimising lumens output. CAD-optimised optics for superior illumination and glare control. OLC® One LED Concept. Two cable entries. Optional 2200 K version available. To be specified at time of ordering.

Luminaire can be mounted for up or down lighting.

IK10 on request with polycarbonate lens.




Can be mounted up or down.

OLV330 LED

Wall luminaires surface mounted

Specifications

Material description

Body	Marine-grade die-cast aluminium alloy
Lens	Safety glass lens
Colours	 RAL9004 Signal black  RAL9006 White aluminium  RAL9007 Grey aluminium
Gasket	Silicone CCG® Controlled Compression Gasket
Fasteners	PCS Polymer Coated Stainless Steel Hardware (unpainted)
Ingress protection	IP66
Impact resistance	IK08
Corrosion resistance	5CE+Primer

Electrical description

Power supply	230V / 50 Hz
Driver / Ballast	Integral EC electronic converter

Additional information

Lifetime	Ta=40° L90B10 > 90000h
Warranty	The product is supplied with 10-year warranty. Please refer to the LED Warranty Statement located on www.we-ef.com for further details.

OLV330 LED

Wall luminaires surface mounted

we-ef

Options

Light distribution



symmetric, medium beam [M]



symmetric, very narrow beam, sharp cut-off [EES]

Colour temperature



3000 K



4000 K



2700 K


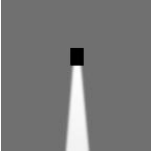
Nominal Watt

15 W

21 W

0 W

Configurations

Light distribution	Part ID	Light source	Rated lumens	Rated input power	CRI	Weight (kg)
symmetric, medium beam [M] 	132-0522	LED-12/12W / 350 mA - 3000 K	1602.7	13.9 W	80	6.60
	132-0523	LED-12/12W / 350 mA - 4000 K	1757.8	13.9 W	80	6.60
	132-0532	LED-12/18W / 500 mA - 3000 K	2223.1	21 W	80	6.60
	132-0533	LED-12/18W / 500 mA - 4000 K	2378.2	21 W	80	6.60
	132-0633	LED-12/12W / 350 mA - 2700 K	1499.3	13.9 W	80	6.60
	132-0634	LED-12/18W / 500 mA - 2700 K	2068	21 W	80	6.60
symmetric, very narrow beam, sharp cut-off [EES] 	132-0524	LED-12/12W / 350 mA - 3000 K	1645.1	13.9 W	80	6.60
	132-0525	LED-12/12W / 350 mA - 4000 K	1804.3	13.9 W	80	6.60
	132-0534	LED-12/18W / 500 mA - 3000 K	2281.9	21 W	80	6.60
	132-0535	LED-12/18W / 500 mA - 4000 K	2441.1	21 W	80	6.60
	132-0635	LED-12/12W / 350 mA - 2700 K	1539	13.9 W	80	6.60
	132-0636	LED-12/18W / 500 mA - 2700 K	2122.7	21 W	80	6.60

OLV330 LED

Wall luminaires surface mounted



Control

1-10 V analogue dimming interface

Description	Part ID	C
1-10 V analogue dimming interface	430-0011	90

WE-EF LIGHTING Pty Ltd

6/13 Downard Street, 3195 Braeside, Victoria - Phone: +61 3 8587 0444 - Fax: +61 3 8587 0499

info.australia@we-ef.com - <https://we-ef.com/aus>

Subject to technical changes and errors. - Generated on 23/11/2024

Wall luminaires surface mounted**DALI interface**

Description	Part ID	Additional information	C
DALI interface	430-0013	DALI variant. The luminaire is equipped with a DT6 Dali driver (Dali 2.0).	90

Dali 2.0

- Application controllers and Input devices defined
- Single-masters and multi-masters allowed
- Event priorities defined
- Separate addressing & grouping from control gear

Note: Mixing Dali 1 and Dali 2.0 drivers can cause problems because the addressing and the command scope has changed!