




Description

IP66. Class I. IK08. Marine-grade, die-cast aluminium alloy. 5CE superior corrosion protection + primer including PCS hardware. RFC™ Reflection Free Contour main lens. Silicone CCG® Controlled Compression Gasket. Luminaire is factory-sealed and does not need to be opened during installation.

Integral EC electronic converter. Advanced thermal management protects LEDs while optimising lumens output. LED board can be easily removed for upgrading. CAD- optimised OLC® optics for superior illumination and glare control.

Maximum spacing for streetlighting applications depends on wattage and light distribution: 5.5 to 9 times the mounting height.

Specifications**Material description**

Body	Marine-grade, die-cast aluminium alloy
Lens	Safety glass lens, hinged
Colours	 RAL9004 Signal black  RAL9006 White aluminium  RAL9007 Grey aluminium
Gasket	Silicone CCG® Controlled Compression Gasket
Fasteners	PCS Polymer Coated Stainless Steel Hardware (unpainted)
Ingress protection	IP66
Impact resistance	IK08
Corrosion resistance	5CE+Primer
Windage	0.210 m ²

Electrical description

Power supply	230V / 50 Hz
Driver / Ballast	Integral EC electronic converter
Surge protection	Internal surge protection SP10 device supplied.

Additional information

Lifetime	Ta=40° L90B10 > 90000h
Warranty	The product is supplied with 10-year warranty. Please refer to the LED Warranty Statement located on www.we-ef.com for further details.

Options

Light distribution



pedestrian/bicycle lane [P65]



asymmetric, side throw [S60]



asymmetric, side throw [S65]



asymmetric, side throw [S70]



asymmetric, forward throw [A60]



rectangular, side throw [R65]

Colour temperature



3000 K



4000 K

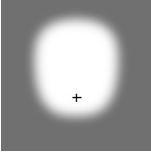
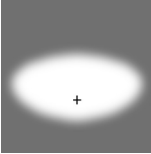

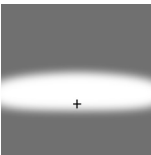
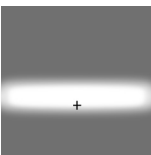
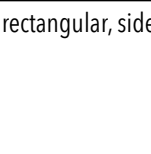


2700 K

Nominal Watt

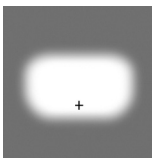
0 W

Configurations

Light distribution	Part ID	Light source	Rated lumens	Rated input power	CRI	Weight (kg)
asymmetric, forward throw [A60] 	108-7728	LED-36/72W / 700 mA - 3000 K	7799.2	79 W	80	18.00
	108-7729	LED-36/72W / 700 mA - 4000 K	8337.1	79 W	80	18.00
	108-7738	LED-36/108W / 1050 mA - 3000 K	11564.4	115 W	80	18.00
	108-7739	LED-36/108W / 1050 mA - 4000 K	12102.2	115 W	80	18.00
	108-9779	LED-36/72W / 700 mA - 2700 K	7261.3	79 W	80	17.00
	108-9785	LED-36/108W / 1050 mA - 2700 K	11026.5	115 W	80	17.00
asymmetric, side throw [S60] 	108-7720	LED-36/72W / 700 mA - 3000 K	8317.1	79 W	80	18.00
	108-7721	LED-36/72W / 700 mA - 4000 K	8890.7	79 W	80	18.00
	108-7730	LED-36/108W / 1050 mA - 3000 K	12332.2	115 W	80	18.00
	108-7731	LED-36/108W / 1050 mA - 4000 K	12905.8	115 W	80	18.00
	108-9775	LED-36/72W / 700 mA - 2700 K	7743.5	79 W	80	17.00
	108-9781	LED-36/108W / 1050 mA - 2700 K	11758.6	115 W	80	17.00
asymmetric, side throw [S65] 	108-7722	LED-36/72W / 700 mA - 3000 K	8365.8	79 W	80	18.00
	108-7723	LED-36/72W / 700 mA - 4000 K	8942.7	79 W	80	18.00
	108-7732	LED-36/108W / 1050 mA - 3000 K	12404.4	115 W	80	18.00
	108-7733	LED-36/108W / 1050 mA - 4000 K	12981.4	115 W	80	18.00
	108-9776	LED-36/72W / 700 mA - 2700 K	7788.8	79 W	80	17.00
	108-9782	LED-36/108W / 1050 mA - 2700 K	11827.5	115 W	80	17.00
asymmetric, side throw [S70] 	108-7724	LED-36/72W / 700 mA - 3000 K	8106	79 W	80	18.00
	108-7725	LED-36/72W / 700 mA - 4000 K	8665	79 W	80	18.00
	108-7734	LED-36/108W / 1050 mA - 3000 K	12019.2	115 W	80	18.00
	108-7735	LED-36/108W / 1050 mA - 4000 K	12578.2	115 W	80	18.00
	108-9777	LED-36/72W / 700 mA - 2700 K	7546.9	79 W	80	17.00
	108-9783	LED-36/108W / 1050 mA - 2700 K	11460.2	115 W	80	17.00
pedestrian/bicycle lane [P65] 	108-7800	LED-36/72W / 700 mA - 3000 K	8098.5	79 W	80	18.00
	108-7801	LED-36/72W / 700 mA - 4000 K	8657	79 W	80	18.00
	108-7802	LED-36/108W / 1050 mA - 3000 K	12008.1	115 W	80	18.00
	108-7803	LED-36/108W / 1050 mA - 4000 K	12566.6	115 W	80	18.00
	108-9780	LED-36/72W / 700 mA - 2700 K	7540	79 W	80	17.00
	108-9786	LED-36/108W / 1050 mA - 2700 K	11449.6	115 W	80	17.00
rectangular, side throw [R65] 	108-7726	LED-36/72W / 700 mA - 3000 K	7621.6	79 W	80	18.00
	108-7727	LED-36/72W / 700 mA - 4000 K	8147.3	79 W	80	18.00
	108-7736	LED-36/108W / 1050 mA - 3000 K	11301.1	115 W	80	18.00
	108-7737	LED-36/108W / 1050 mA - 4000 K	11826.7	115 W	80	18.00

FLA460 LED

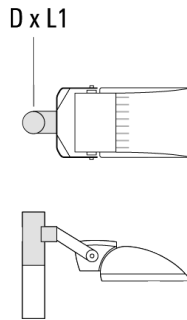
Pole mounted

Light distribution	Part ID	Light source	Rated lumens	Rated input power	CRI	Weight (kg)
	108-9778	LED-36/72W / 700 mA - 2700 K	7096	79 W	80	17.00
	108-9784	LED-36/108W / 1050 mA - 2700 K	10775.4	115 W	80	17.00

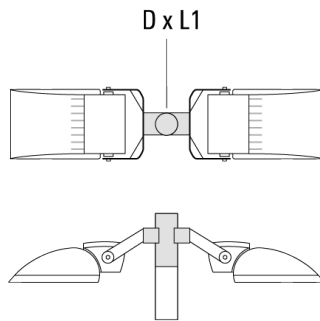
Mounting Accessories

Floodlight mounting bracket TA

Description	Part ID	A	C1	D x L1	Weight (kg)	D	D x S
TA1-76 Single Mounting Fitter	310-9124			76 x 100	2.10	76 x 100	

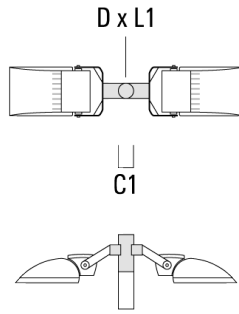


TA2 Mounting bracket, double	310-9125			76 x 100	2.20	76 x 100	
------------------------------	----------	--	--	----------	------	----------	--

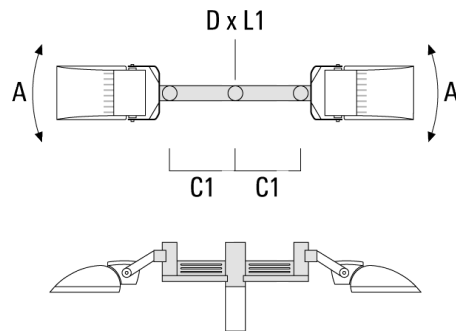


Pole mounted

Description	Part ID	A	C1	D × L1	Weight (kg)	D	D × S
TA2 Mounting bracket, double* (Ø 76 x 200)	147-0024		130	76 x 200	1.90		76 x 200

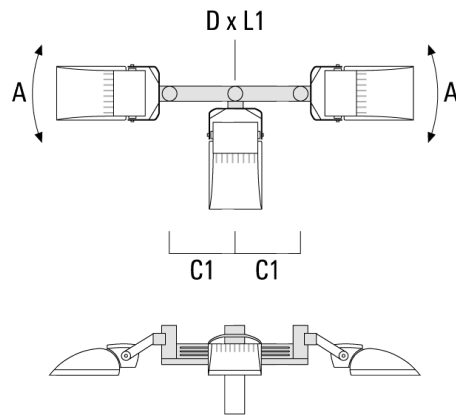


TA2-L Mounting bracket, double (Ø 76 x 200)	147-0105	±90°	420	76 x 200	16.10		76 x 200
---	----------	------	-----	----------	-------	--	----------

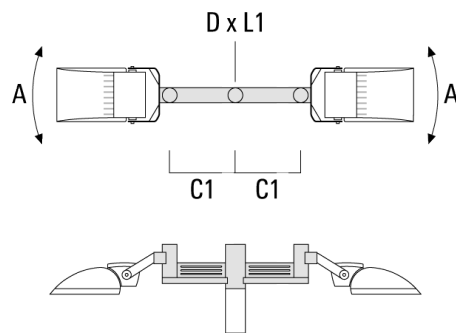


Pole mounted

Description	Part ID	A	C1	D x L1	Weight (kg)	D	D x S
TA3 Mounting bracket, triple (Ø 89 x 200)	147-0025	±90°	650	89 x 200	17.90		89 x 200

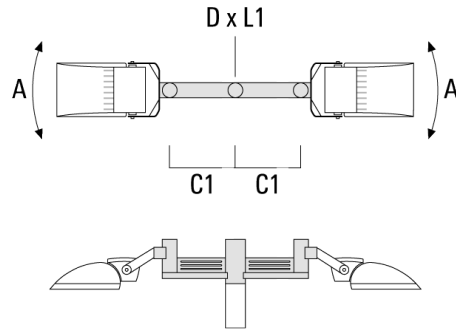


TA2 Mounting bracket, double (Ø 108 x 200)	147-0097		130	108 x 200	7.50		108 x 200
--	----------	--	-----	-----------	------	--	-----------

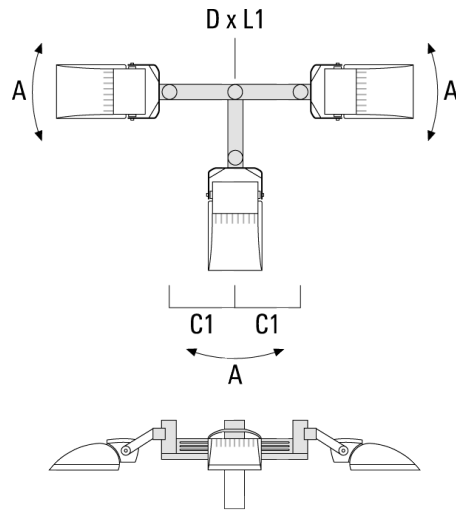


Pole mounted

Description	Part ID	A	C1	D x L1	Weight (kg)	D	D x S
TA2-L Mounting bracket, double (Ø 108 x 200)	147-0148	±90°	420	108 x 200	20.20		108 x 200

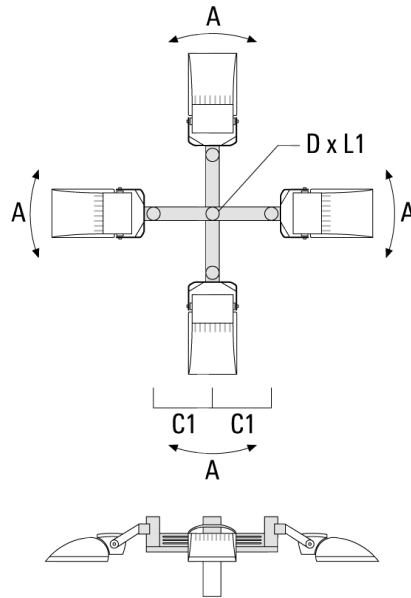


TA3-L Mounting bracket, triple (Ø 89 x 200)	147-0557	±9°	690	89 x 200	20.80		89 x 200
---	----------	-----	-----	----------	-------	--	----------

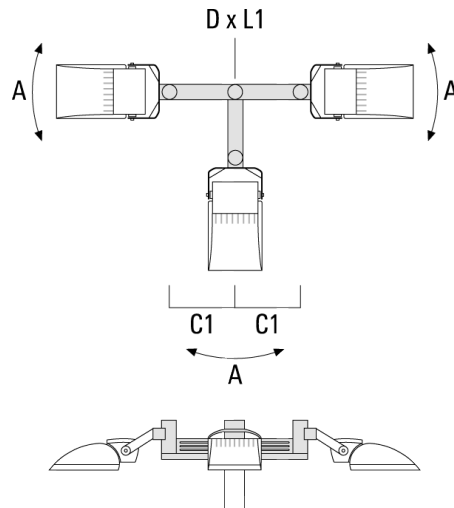


Pole mounted

Description	Part ID	A	C1	D x L1	Weight (kg)	D	D x S
TA4-L Mounting bracket, quad (Ø 89 x 200)	147-0465	±9°	690	89 x 200	22.60		89x200

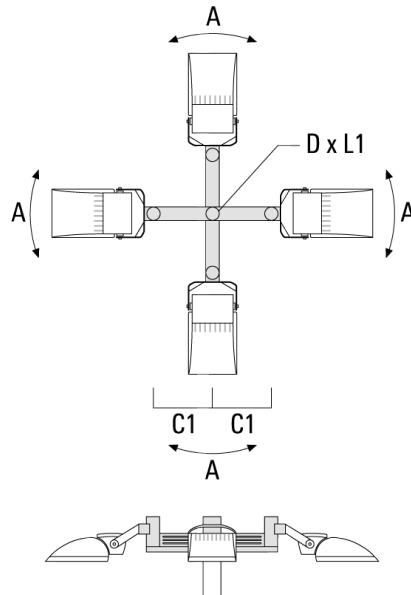


TA3-L Mounting bracket, triple (Ø 108 x 200)	147-0556	±9°	690	108 x 200	24.20		108 x 200
--	----------	-----	-----	-----------	-------	--	-----------

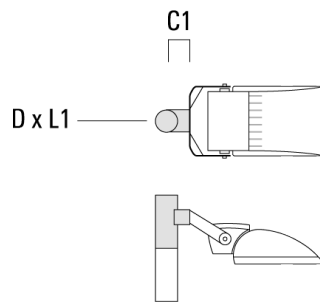


Pole mounted

Description	Part ID	A	C1	D x L1	Weight (kg)	D	D x S
TA4-L Mounting bracket, quad (Ø 89 x 200)	147-0213	±9°	690	108 x 200	26		108 x 200

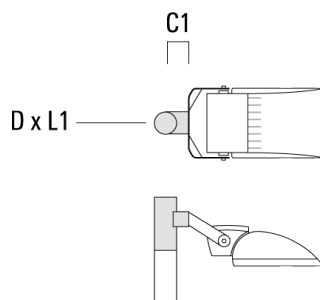


TA1 Mounting bracket, single (Ø 108 x 200)	147-0096		130	108 x 200	7.50		108 x 200
--	----------	--	-----	-----------	------	--	-----------



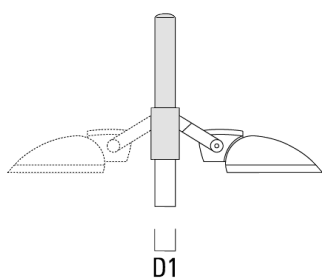
Pole mounted

Description	Part ID	A	C1	D × L1	Weight (kg)	D	D × S
TA1 Mounting bracket, single* (Ø 76 x 200)	147-0023		130	76 x 200	1.90		76 x 200



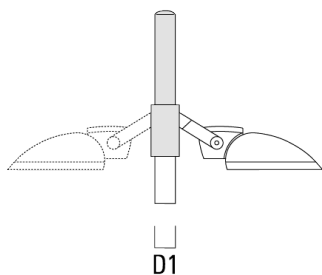
Floodlight mounting bracket KA

Description	Part ID	D1	Weight (kg)	D
KA1-76 Pole bracket, single	310-9126	76 x 100	3.40	76 x 100



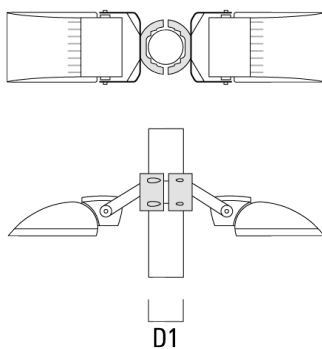
Pole mounted

Description	Part ID	D1	Weight (kg)	D
KA2-76 Pole bracket, double	310-9127	76 x 100	3.40	76 x 100



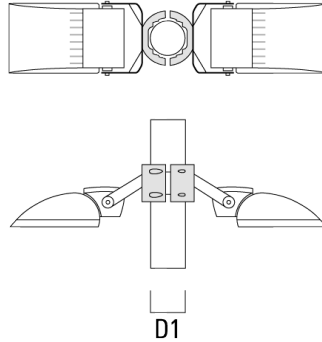
Pole clamp TS

Description	Part ID	Additional information	D1	Weight (kg)	D
TS1-2/M12 Pole clamp, single (Ø 76-89)	147-0547		76-89	1.50	76-89

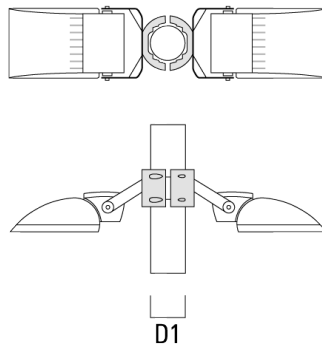


Pole mounted

Description	Part ID	Additional information	D1	Weight (kg)	D
TS1-2/M12 Pole clamp, single (Ø 114-133)	147-0548		114-133	1.80	114-133

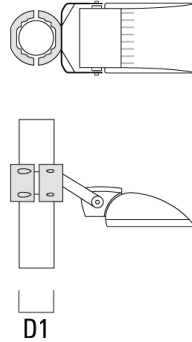


TS1-2/M12 Pole clamp, double (Ø 114-140)	147-0674	Pole clamps made from die-cast aluminium with stainless steel hardware. For mounting of one or two floodlights. Max. permissible weight per installed floodlight 22.5 kg.	114-140	1.70	
--	----------	---	---------	------	--



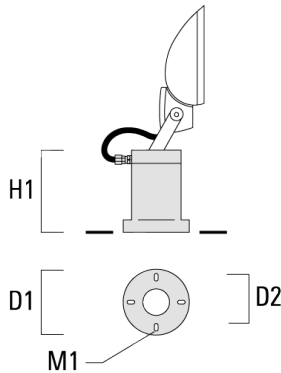
Pole mounted

Description	Part ID	Additional information	D1	Weight (kg)	D
TS1-2/M12 Pole clamp, single (Ø 114-140)	147-0643		114-140	1.70	



Short post EM

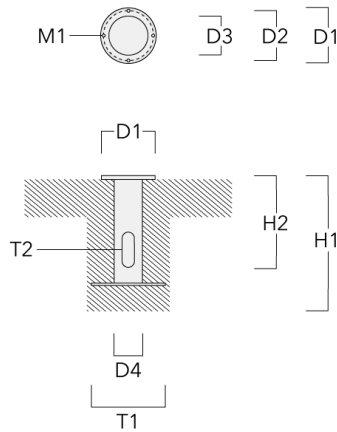
Description	Part ID	D1	D2	H1	M1	Weight (kg)
EM1-M16	270-9038	160	130	200	9	2.10



Pole mounted

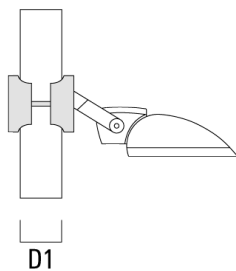
Planted root

Description	Part ID	D1	D2	D3	D4	H1	H2	M1	T1	T2	Weight (kg)
Planted root ESV4	300-0461-AP	150	130	60	89	400	350	8	200	50 x 100	3.85



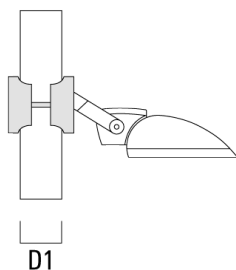
Pipe clamp SP

Description	Part ID	D1	Weight (kg)	D
SP1-M16 Pole clamp, single (Ø 38-60)	146-0241	38-60	1.30	38-60

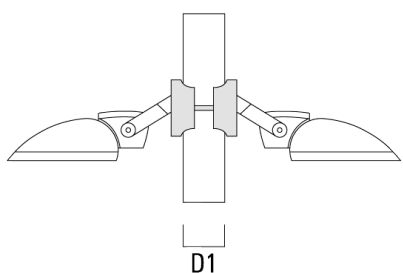


Pole mounted

Description	Part ID	D1	Weight (kg)	D
SP1-M16 Pole clamp, single (Ø 76-89)	146-0242	76-89	1.30	76-89

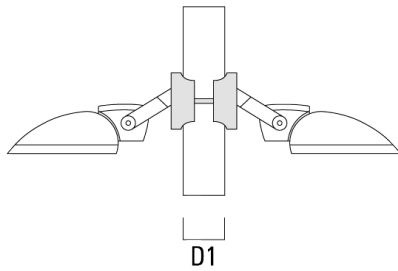


SP2-M16 Pole clamp, double (Ø 38-60)	146-0243	38-60	1.60	38-60
--------------------------------------	----------	-------	------	-------



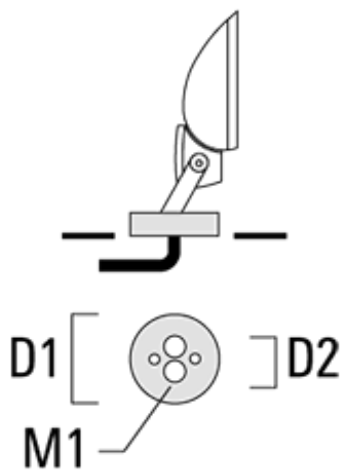
Pole mounted

Description	Part ID	D1	Weight (kg)	D
SP2-M16 Pole clamp, double (Ø 76-89)	146-0244	76-89	1.50	76-89



Junction box JB1

Description	Part ID	D1	D2	M1	Weight (kg)
JB1-M16-WE Junction box	310-9001	135	67	9	1.30



Optical Accessories**Light shield**

Description	Part ID	Additional information
LS180-[A60]	003-4018	Glare Shield for backlight spill. Glare Shield factory-installed or available as retrofit kit. Suitable for [A60] lenses. Must be specified at time of ordering.
LS180	003-4019	Glare Shield for backlight spill. Glare Shield factory-installed or available as retrofit kit. Suitable for [S60], [S65], [S70], [R65], [P65] lenses. Must be specified at time of ordering.