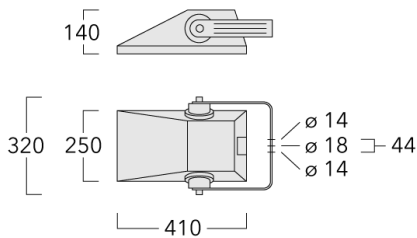


FLA730 LED

Pole mounted

we-ef



Description

IP66, Class I. IK08. Marine-grade, die-cast aluminium alloy. 5CE superior corrosion protection including PCS hardware. Silicone rubber gasket. Safety glass lens, hinged. Protractor scale for accurate aiming from 0° to 15° above horizontal. Integral EC electronic converter in thermally separated compartment. DALI. CAD-optimised optics for superior illumination and glare control. OLC® One LED Concept. Factory installed LED circuit board.





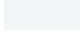
Optional 2200 K version available. To be specified at time of ordering

WE-EF LEUCHTEN GmbH

Töpinger Straße 16, 29646 Bispingen, Germany - Phone: +49 5194 909-0
info@we-ef.com - <https://we-ef.com>

Subject to technical changes and errors. - Generated on 23/11/2024

Specifications**Material description**

Body	Marine-grade, die-cast aluminium alloy
Lens	Safety glass lens, hinged
Colours	 RAL9004 Signal black  RAL9006 White aluminium  RAL9007 Grey aluminium  RAL7016 Anthracite grey  RAL9016 Traffic white
Gasket	Silicone rubber gasket
Fasteners	PCS Polymer Coated Stainless Steel Hardware
Ingress protection	IP66
Impact resistance	IK08
Corrosion resistance	5CE
Windage	0.045 m ²

Electrical description

Power supply	220-240V / 50-60 Hz
Driver / Ballast	Integral EC electronic converter. DALI
Surge protection	6/6 kV (optional SP10)

Additional information

Lifetime	Ta=25° L90B10 > 90000h
Energy efficiency class	C-D (Light source)

FLA730 LED

Pole mounted

Options

Light distribution



asymmetric, side throw beam [S65]



rectangular, side throw [R65]



asymmetric, forward throw [A60]

Colour temperature



3000 K

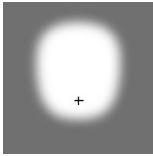
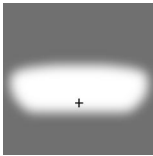


4000 K

Nominal Watt

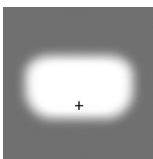
0 W

Configurations

Light distribution	Part ID	Light source	Rated lumens	Rated input power	CRI	Weight (kg)
asymmetric, forward throw [A60] 	147-0689	LED-12/24W / 700 mA - 3000 K	2606.4	27 W	80	7.40
	147-0689-70	LED-12/24W / 700 mA - 3000 K	2965.9	27 W	70	7.40
	147-0690	LED-12/24W / 700 mA - 4000 K	2786.2	27 W	80	7.40
	147-0690-70	LED-12/24W / 700 mA - 4000 K	3145.7	27 W	70	7.40
	147-0695	LED-18/54W / 1050 mA - 3000 K	5797.1	59 W	80	7.40
	147-0695-70	LED-18/54W / 1050 mA - 3000 K	6605.9	59 W	70	7.40
	147-0696	LED-18/54W / 1050 mA - 4000 K	6066.7	59 W	80	7.40
	147-0696-70	LED-18/54W / 1050 mA - 4000 K	6875.6	59 W	70	7.40
	147-0707	LED-12/36W / 1050 mA - 3000 K	3864.7	41 W	80	7.40
	147-0707-70	LED-12/36W / 1050 mA - 3000 K	4404	41 W	70	7.40
	147-0708	LED-12/36W / 1050 mA - 4000 K	4044.5	41 W	80	7.40
	147-0708-70	LED-12/36W / 1050 mA - 4000 K	4583.7	41 W	70	7.40
	147-0719	LED-18/36W / 700 mA - 3000 K	3909.6	41 W	80	7.40
	147-0719-70	LED-18/36W / 700 mA - 3000 K	4448.9	41 W	70	7.40
	147-0720	LED-18/36W / 700 mA - 4000 K	4179.3	41 W	80	7.40
147-0720-70	LED-18/36W / 700 mA - 4000 K	4718.5	41 W	70	7.40	
asymmetric, side throw beam [S65] 	147-0685	LED-12/24W / 700 mA - 3000 K	2780.3	27 W	80	7.40
	147-0685-70	LED-12/24W / 700 mA - 3000 K	3163.8	27 W	70	7.40
	147-0686	LED-12/24W / 700 mA - 4000 K	2972.1	27 W	80	7.40
	147-0686-70	LED-12/24W / 700 mA - 4000 K	3355.6	27 W	70	7.40
	147-0691	LED-18/54W / 1050 mA - 3000 K	6183.8	59 W	80	7.40
	147-0691-70	LED-18/54W / 1050 mA - 3000 K	7046.7	59 W	70	7.40
	147-0692	LED-18/54W / 1050 mA - 4000 K	6471.4	59 W	80	7.40
	147-0692-70	LED-18/54W / 1050 mA - 4000 K	7334.3	59 W	70	7.40
	147-0703	LED-12/36W / 1050 mA - 3000 K	4122.5	41 W	80	7.40
	147-0703-70	LED-12/36W / 1050 mA - 3000 K	4697.8	41 W	70	7.40
	147-0704	LED-12/36W / 1050 mA - 4000 K	4314.3	41 W	80	7.40
	147-0704-70	LED-12/36W / 1050 mA - 4000 K	4889.5	41 W	70	7.40
	147-0715	LED-18/36W / 700 mA - 3000 K	4170.5	41 W	80	7.40
	147-0715-70	LED-18/36W / 700 mA - 3000 K	4745.7	41 W	70	7.40
	147-0716	LED-18/36W / 700 mA - 4000 K	4458.1	41 W	80	7.40
147-0716-70	LED-18/36W / 700 mA - 4000 K	5033.3	41 W	70	7.40	
rectangular, side throw [R65]	147-0687	LED-12/24W / 700 mA - 3000 K	2434.4	27 W	80	7.40
	147-0687-70	LED-12/24W / 700 mA - 3000 K	2770.2	27 W	70	7.40
	147-0688	LED-12/24W / 700 mA - 4000 K	2602.3	27 W	80	7.40

FLA730 LED

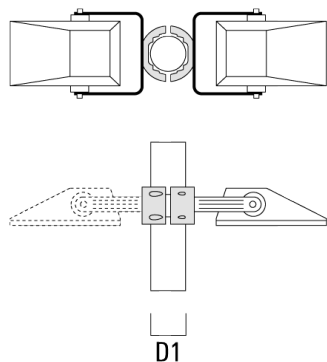
Pole mounted

Light distribution	Part ID	Light source	Rated lumens	Rated input power	CRI	Weight (kg)
	147-0688-70	LED-12/24W / 700 mA - 4000 K	2938.1	27 W	70	7.40
	147-0693	LED-18/54W / 1050 mA - 3000 K	5414.5	59 W	80	7.40
	147-0693-70	LED-18/54W / 1050 mA - 3000 K	6170	59 W	70	7.40
	147-0694	LED-18/54W / 1050 mA - 4000 K	5666.4	59 W	80	7.40
	147-0694-70	LED-18/54W / 1050 mA - 4000 K	6421.9	59 W	70	7.40
	147-0705	LED-12/36W / 1050 mA - 3000 K	3609.7	41 W	80	7.40
	147-0705-70	LED-12/36W / 1050 mA - 3000 K	4113.4	41 W	70	7.40
	147-0706	LED-12/36W / 1050 mA - 4000 K	3777.6	41 W	80	7.40
	147-0706-70	LED-12/36W / 1050 mA - 4000 K	4281.3	41 W	70	7.40
	147-0717	LED-18/36W / 700 mA - 3000 K	3651.7	41 W	80	7.40
	147-0717-70	LED-18/36W / 700 mA - 3000 K	4155.3	41 W	70	7.40
	147-0718	LED-18/36W / 700 mA - 4000 K	3903.5	41 W	80	7.40
	147-0718-70	LED-18/36W / 700 mA - 4000 K	4407.2	41 W	70	7.40

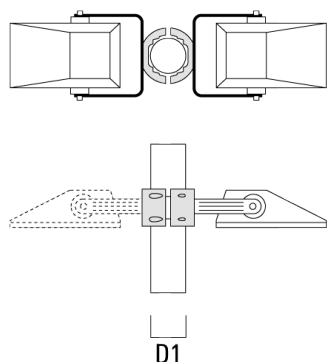
Mounting Accessories

Pole clamp TS

Description	Part ID	D1	Weight (kg)	D
TS1-2/M10 Pole clamp, single (Ø 76-89)	147-0371	76-89	1.40	76-89

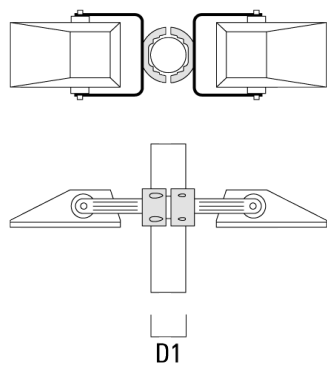


TS1-2/M10 Pole clamp, single (Ø 102-114)	147-0372	102-114	1.60	102-114
--	----------	---------	------	---------

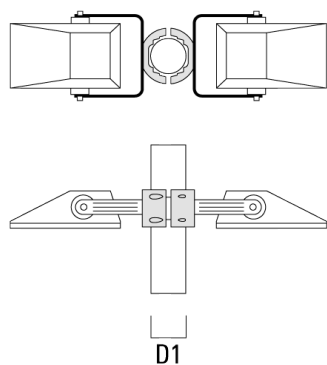


Pole mounted

Description	Part ID	D1	Weight (kg)	D
TS2-2/M10 Pole clamp, double (Ø 76-89)	147-0373	76-89	1.50	76-89

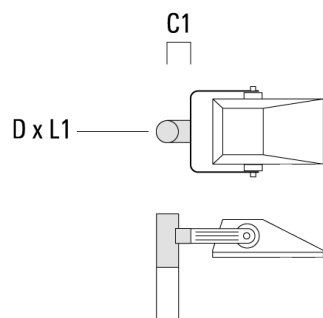


TS2-2/M10 Pole clamp, double (Ø 102-114)	147-0374	102-114	1.60	102-114
--	----------	---------	------	---------

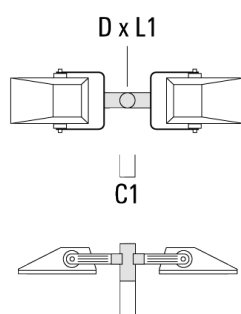


Floodlight mounting bracket TA

Description	Part ID	A	C1	D x L1	Weight (kg)	D x S
TA1 Mounting bracket, single (Ø 76 x 200)	147-0397		130	76 x 200	1.7	76 x 200

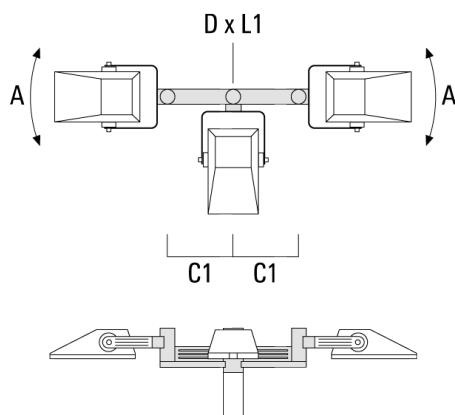


TA2 Mounting bracket, double (Ø 76 x 200)	147-0398		130	76 x 200	1.8	76 x 200
---	----------	--	-----	----------	-----	----------



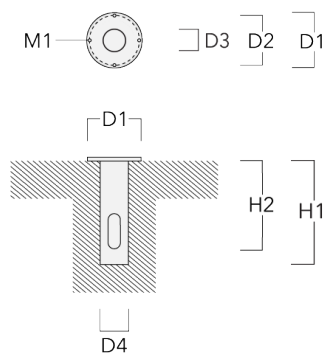
Pole mounted

Description	Part ID	A	C1	D × L1	Weight (kg)	D × S
TA3 Mounting bracket, triple (Ø 76 x 200)	147-0404	±90°	420	76 x 200	17.90	76 x 200



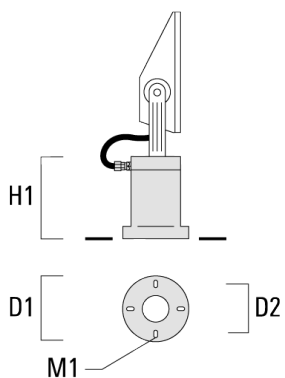
Planted root

Description	Part ID	D1	D2	D3	D4	H1	H2	M1	Weight (kg)
Planted root ESV4	300-0461	145	130	102	108	400	350	8	7.05



Short post EM

Description	Part ID	D1	D2	H1	M1	Weight (kg)
EM1-M16	270-9038	160	130	200	9	2



Optical Accessories**Light shield**

Description	Part ID	Additional information
LS180-[A60]	430-0038	Light shield LS180 to greatly reduce or eliminate light pollution. PA injection moulded component, black matt. Suitable for asymmetric light distribution [A60].
LS180	430-0029	Glare Shield for backlight spill. Glare Shield factory-installed or available as retrofit kit. Suitable for [S60], [S65], [S70], [R65], [P65] lenses. Must be specified at time of ordering.