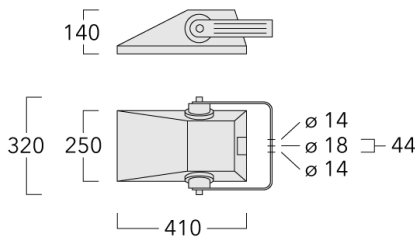


FLA730 LED

Pole mounted

we-ef



Description

IP66. IK08. Marine-grade, die-cast aluminium alloy. 5CE superior corrosion protection + primer including PCS hardware. Safety glass lens, hinged. Silicone CCG® Controlled Compression Gasket. Protractor scale for accurate aiming from 0° to 15° above horizontal.

Integral EC electronic converter in thermally-shielded compartment. Advanced thermal management protects LEDs while optimising lumens output. Removable LED boards for upgrading. CAD-optimised optics for superior illumination and glare control. OLC® One LED Concept.




WE-EF LIGHTING Pty Ltd

6/13 Downard Street, 3195 Braeside, Victoria - Phone: +61 3 8587 0444 - Fax: +61 3 8587 0499

info.australia@we-ef.com - <https://we-ef.com/aus>

Subject to technical changes and errors. - Generated on 23/11/2024

Specifications**Material description**

Body	Marine-grade, die-cast aluminium alloy
Lens	Safety glass lens, hinged
Colours	 RAL9004 Signal black  RAL9006 White aluminium  RAL9007 Grey aluminium
Gasket	Silicone CCG® Controlled Compression Gasket
Fasteners	PCS Polymer Coated Stainless Steel Hardware (unpainted)
Ingress protection	IP66
Impact resistance	IK08
Corrosion resistance	5CE+Primer
Windage	0.045 m ²

Electrical description

Power supply	230V / 50 Hz
Driver / Ballast	Integral EC electronic converter
Surge protection	In-pole surge protection SP10 device supplied. Please refer to WE-EF installation instructions for details. Use suffix +A for Integral surge protection.

Additional information

Lifetime	Ta=40° L90B10 > 90000h
Warranty	The product is supplied with 10-year warranty. Please refer to the LED Warranty Statement located on www.we-ef.com for further details.

FLA730 LED

Pole mounted

Options

Light distribution



asymmetric, side throw [S65]



rectangular, side throw [R65]



asymmetric, forward throw [A60]

Colour temperature



3000 K

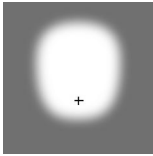
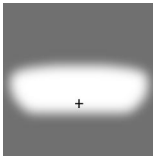
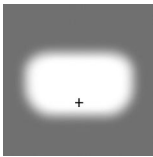


4000 K

Nominal Watt

0 W

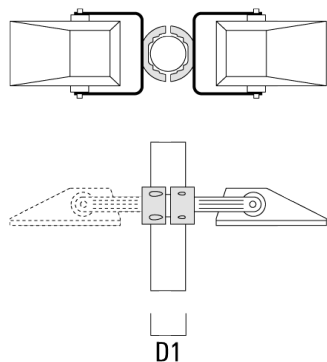
Configurations

Light distribution	Part ID	Light source	Rated lumens	Rated input power	CRI	Weight (kg)
asymmetric, forward throw [A60] 	147-0689	LED-12/24W / 700 mA - 3000 K	2606.4	27 W	80	7.40
	147-0690	LED-12/24W / 700 mA - 4000 K	2786.2	27 W	80	7.40
	147-0695	LED-18/54W / 1050 mA - 3000 K	5797.1	59 W	80	7.40
	147-0696	LED-18/54W / 1050 mA - 4000 K	6066.7	59 W	80	7.40
	147-0707	LED-12/36W / 1050 mA - 3000 K	3864.7	41 W	80	7.40
	147-0708	LED-12/36W / 1050 mA - 4000 K	4044.5	41 W	80	7.40
	147-0719	LED-18/36W / 700 mA - 3000 K	3909.6	41 W	80	7.40
	147-0720	LED-18/36W / 700 mA - 4000 K	4179.3	41 W	80	7.40
asymmetric, side throw [S65] 	147-0685	LED-12/24W / 700 mA - 3000 K	2780.3	27 W	80	7.40
	147-0686	LED-12/24W / 700 mA - 4000 K	2972.1	27 W	80	7.40
	147-0691	LED-18/54W / 1050 mA - 3000 K	6183.8	59 W	80	7.40
	147-0692	LED-18/54W / 1050 mA - 4000 K	6471.4	59 W	80	7.40
	147-0703	LED-12/36W / 1050 mA - 3000 K	4122.5	41 W	80	7.40
	147-0704	LED-12/36W / 1050 mA - 4000 K	4314.3	41 W	80	7.40
	147-0715	LED-18/36W / 700 mA - 3000 K	4170.5	41 W	80	7.40
	147-0716	LED-18/36W / 700 mA - 4000 K	4458.1	41 W	80	7.40
rectangular, side throw [R65] 	147-0687	LED-12/24W / 700 mA - 3000 K	2434.4	27 W	80	7.40
	147-0688	LED-12/24W / 700 mA - 4000 K	2602.3	27 W	80	7.40
	147-0693	LED-18/54W / 1050 mA - 3000 K	5414.5	59 W	80	7.40
	147-0694	LED-18/54W / 1050 mA - 4000 K	5666.4	59 W	80	7.40
	147-0705	LED-12/36W / 1050 mA - 3000 K	3609.7	41 W	80	7.40
	147-0706	LED-12/36W / 1050 mA - 4000 K	3777.6	41 W	80	7.40
	147-0717	LED-18/36W / 700 mA - 3000 K	3651.7	41 W	80	7.40
	147-0718	LED-18/36W / 700 mA - 4000 K	3903.5	41 W	80	7.40

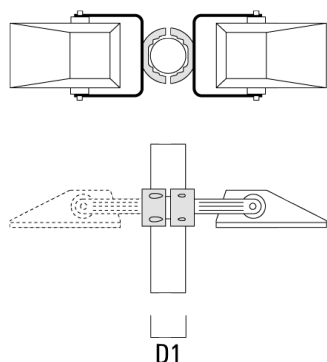
Mounting Accessories

Pole clamp TS

Description	Part ID	D1	Weight (kg)	D
TS1-2/M10 Pole clamp, single (Ø 76-89)	147-0371	76-89	1.40	76-89

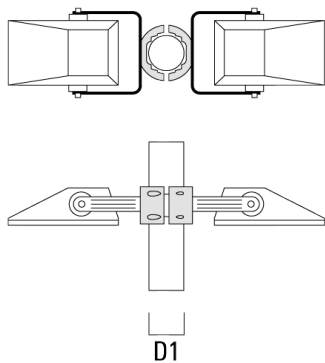


TS1-2/M10 Pole clamp, single (Ø 102-114)	147-0372	102-114	1.60	102-114
------------------------------------------	----------	---------	------	---------

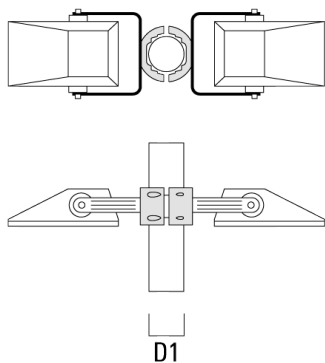


Pole mounted

Description	Part ID	D1	Weight (kg)	D
TS2-2/M10 Pole clamp, double (Ø 76-89)	147-0373	76-89	1.50	76-89

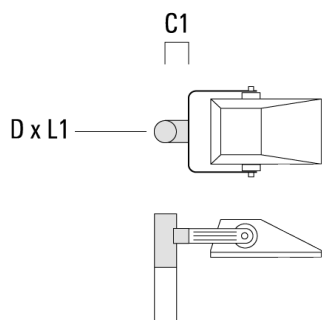


TS2-2/M10 Pole clamp, double (Ø 102-114)	147-0374	102-114	1.60	102-114
------------------------------------------	----------	---------	------	---------

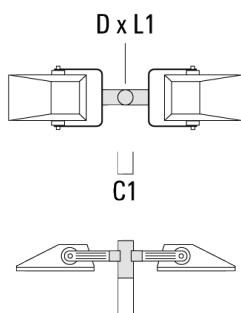


Floodlight mounting bracket TA

Description	Part ID	A	C1	D x L1	Weight (kg)	D x S
TA1 Mounting bracket, single (Ø 76 x 200)	147-0397		130	76 x 200	1.7	76 x 200



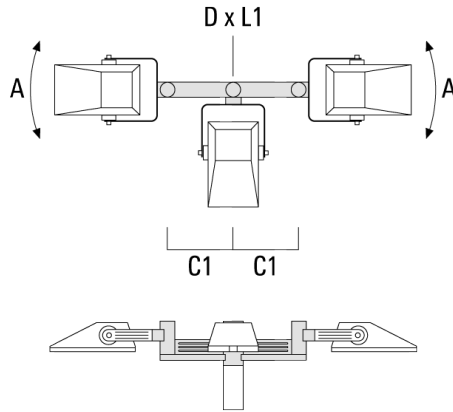
TA2 Mounting bracket, double (Ø 76 x 200)	147-0398		130	76 x 200	1.8	76 x 200
-------------------------------------------	----------	--	-----	----------	-----	----------



FLA730 LED

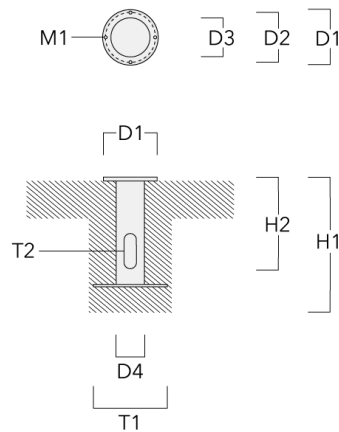
Pole mounted

Description	Part ID	A	C1	D × L1	Weight (kg)	D × S
TA3 Mounting bracket, triple (Ø 76 x 200)	147-0404	±90°	420	76 x 200	17.90	76 x 200



Planted root

Description	Part ID	D1	D2	D3	D4	H1	H2	M1	T1	T2	Weight (kg)
Planted root ESV4	300-0461-AP	150	130	60	89	400	350	8	200	50 x 100	3.85



WE-EF LIGHTING Pty Ltd

6/13 Downard Street, 3195 Braeside, Victoria - Phone: +61 3 8587 0444 - Fax: +61 3 8587 0499

info.australia@we-ef.com - <https://we-ef.com/aus>

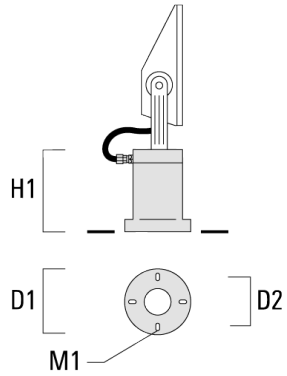
Subject to technical changes and errors. - Generated on 23/11/2024

FLA730 LED

Pole mounted

Short post EM

Description	Part ID	D1	D2	H1	M1	Weight (kg)
EM1-M16	270-9038	160	130	200	9	2



Optical Accessories**Light shield**

Description	Part ID	Additional information
LS180-[A60]	003-4018	Glare Shield for backlight spill. Glare Shield factory-installed or available as retrofit kit. Suitable for [A60] lenses. Must be specified at time of ordering.
LS180	003-4019	Glare Shield for backlight spill. Glare Shield factory-installed or available as retrofit kit. Suitable for [S60], [S65], [S70], [R65], [P65] lenses. Must be specified at time of ordering.