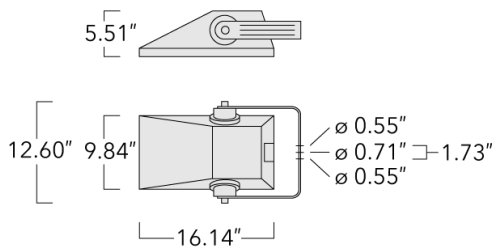


# FLA730 LED

## Street and Area Lighting



### Description

IP66. Class I. Marine-grade, die-cast aluminum alloy. 5CE superior corrosion protection including PCS hardware. Silicone CCG® Controlled Compression Gasket. Safety glass lens, hinged. PMMA OLC® One LED Concept optics for superior illumination and glare control. Factory-installed LED circuit board. LED boards can be easily removed for upgrading. 0-10V Dimming comes standard with luminaire. Protractor scale for accurate aiming from 0° to 15° above horizontal.

Recommended mounting height 10-20 ft, depending on lamp type selected.

Specify product with 7 Digit product code - Finish Color. Accessories, such as mounting, optical, and electrical, must be specified separately.

Example: XXX-XXXX-9004 (Black)  
+ XXX-XXXX (Accessory 1)

### WE-EF LIGHTING USA, LLC

410-D Keystone Drive, 15086 Warrendale, PA 15086 - Phone: +1 724 742 0030  
customersupport.usa@we-ef.com - <https://we-ef.com/us>  
Subject to technical changes and errors. - Generated on 11/23/2024





# FLA730 LED

## Street and Area Lighting

### Specifications

#### Material description

---

Body	Marine-grade, die-cast aluminium alloy
Colors	 RAL9004 Black
	 RAL9007 Grey Metallic
	 RAL9016 White
	 RAL8019 Dark Bronze
Gasket	Silicone rubber gasket
Ingress protection	IP66
Impact resistance	IK08
Corrosion resistance	5CE
Windage	0.5

---

#### Electrical description

---

Power supply	120-277V / 50-60 Hz
Driver / Ballast	Integral EC electronic converter
Surge protection	Integral 10kV Surge Protector

---

#### Additional information

---

Lifetime	Ta=25°/40° L90B10 > 90000h
BUG Rating	Please see individual Spec Sheets for classification of Backlight, Uplight and Glare.
Listings	ETL, UL-1598, CSA-C22.2#250.0. Suitable for Wet Locations.

---

#### WE-EF LIGHTING USA, LLC

410-D Keystone Drive, 15086 Warrendale, PA 15086 - Phone: +1 724 742 0030  
customersupport.usa@we-ef.com - <https://we-ef.com/us>  
Subject to technical changes and errors. - Generated on 11/23/2024

# FLA730 LED

## Street and Area Lighting

### Options

#### Light distribution



[S65] Type III Medium



[R65] Type IV Medium



[A60] Type IV Very Short

#### Color temperature



3000 K



4000 K

#### Nominal Watt

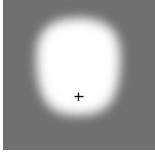
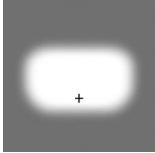
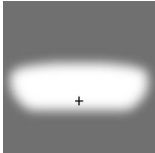
0 W

#### WE-EF LIGHTING USA, LLC

410-D Keystone Drive, 15086 Warrendale, PA 15086 - Phone: +1 724 742 0030  
customersupport.usa@we-ef.com - <https://we-ef.com/us>

Subject to technical changes and errors. - Generated on 11/23/2024

**Configurations**

Light distribution	Part ID	Light source	Rated lumens	Rated input power	CRI	Weight (lb)
[A60] Type IV Very Short 	147-0689	LED-12/24W / 700 mA - 3000 K	2606.4	27 W	80	16.31
	147-0690	LED-12/24W / 700 mA - 4000 K	2786.2	27 W	80	16.31
	147-0695	LED-18/54W / 1050 mA - 3000 K	5797.1	59 W	80	16.31
	147-0696	LED-18/54W / 1050 mA - 4000 K	6066.7	59 W	80	16.31
	147-0707	LED-12/36W / 1050 mA - 3000 K	3864.7	41 W	80	16.31
	147-0708	LED-12/36W / 1050 mA - 4000 K	4044.5	41 W	80	16.31
	147-0719	LED-18/36W / 700 mA - 3000 K	3909.6	41 W	80	16.31
	147-0720	LED-18/36W / 700 mA - 4000 K	4179.3	41 W	80	16.31
[R65] Type IV Medium 	147-0687	LED-12/24W / 700 mA - 3000 K	2434.4	27 W	80	16.31
	147-0688	LED-12/24W / 700 mA - 4000 K	2602.3	27 W	80	16.31
	147-0693	LED-18/54W / 1050 mA - 3000 K	5414.5	59 W	80	16.31
	147-0694	LED-18/54W / 1050 mA - 4000 K	5666.4	59 W	80	16.31
	147-0705	LED-12/36W / 1050 mA - 3000 K	3609.7	41 W	80	16.31
	147-0706	LED-12/36W / 1050 mA - 4000 K	3777.6	41 W	80	16.31
	147-0717	LED-18/36W / 700 mA - 3000 K	3651.7	41 W	80	16.31
	147-0718	LED-18/36W / 700 mA - 4000 K	3903.5	41 W	80	16.31
[S65] Type III Medium 	147-0685	LED-12/24W / 700 mA - 3000 K	2780.3	27 W	80	16.31
	147-0686	LED-12/24W / 700 mA - 4000 K	2972.1	27 W	80	16.31
	147-0691	LED-18/54W / 1050 mA - 3000 K	6183.8	59 W	80	16.31
	147-0692	LED-18/54W / 1050 mA - 4000 K	6471.4	59 W	80	16.31
	147-0703	LED-12/36W / 1050 mA - 3000 K	4122.5	41 W	80	16.31
	147-0704	LED-12/36W / 1050 mA - 4000 K	4314.3	41 W	80	16.31
	147-0715	LED-18/36W / 700 mA - 3000 K	4170.5	41 W	80	16.31
	147-0716	LED-18/36W / 700 mA - 4000 K	4458.1	41 W	80	16.31

**WE-EF LIGHTING USA, LLC**

410-D Keystone Drive, 15086 Warrendale, PA 15086 - Phone: +1 724 742 0030

customersupport.usa@we-ef.com - <https://we-ef.com/us>

Subject to technical changes and errors. - Generated on 11/23/2024

# FLA730 LED

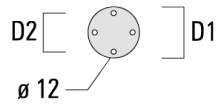


## Street and Area Lighting

### Mounting Accessories

#### Surface Mount Canopy SMC

Description	Part ID	D1	D2	M1	Weight (lb)
SMC-730	147-6913	9.09	7.68	0.47	6 lbs



#### WE-EF LIGHTING USA, LLC

410-D Keystone Drive, 15086 Warrendale, PA 15086 - Phone: +1 724 742 0030  
customersupport.usa@we-ef.com - <https://we-ef.com/us>

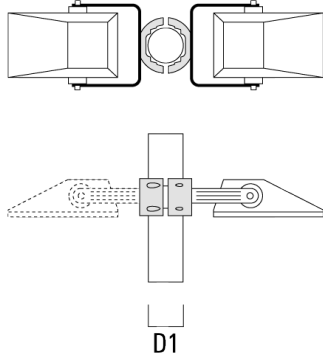
Subject to technical changes and errors. - Generated on 11/23/2024

**Pole clamp TS**

---

Description	Part ID	D1	Weight (lb)	D
TS1-2-730 Pole clamp, single (Ø 3"-3.5")	147-0371	3.0-3.50	3.09	76-89

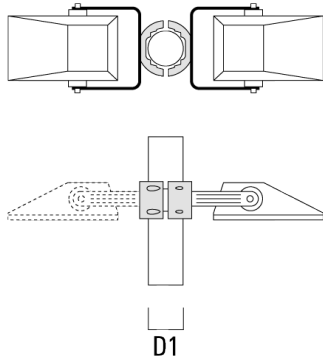
---



---

TS1-2-730 Pole clamp, single (Ø 4.0"-4.5")	147-0372	4.0-4.50	3.53	102-114
--	----------	----------	------	---------

---

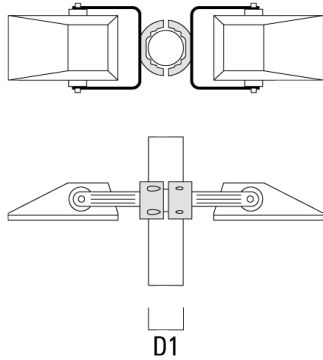


**Street and Area Lighting**

---

Description	Part ID	D1	Weight (lb)	D
TS2-2-730 Pole clamp, double (Ø 3"-3.5")	147-0373	3.0-3.50	3.31	76-89

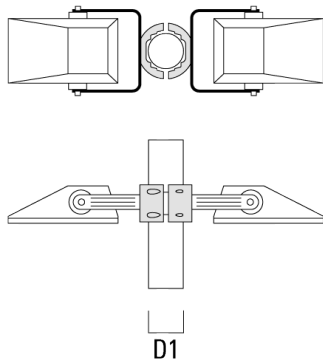
---



---

TS2-2-730 Pole clamp, double (Ø 4.0"-4.5")	147-0374	4.0-4.50	3.53	102-114
--	----------	----------	------	---------

---

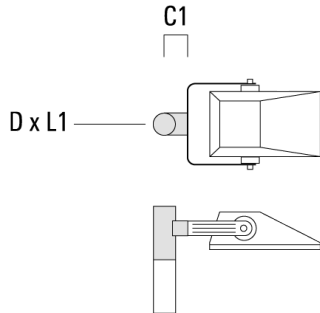


**WE-EF LIGHTING USA, LLC**

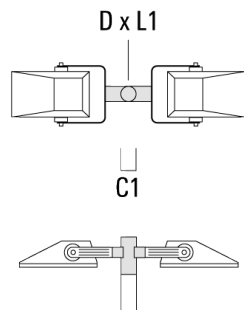
410-D Keystone Drive, 15086 Warrendale, PA 15086 - Phone: +1 724 742 0030  
customersupport.usa@we-ef.com - <https://we-ef.com/us>  
Subject to technical changes and errors. - Generated on 11/23/2024

**Floodlight mounting bracket TA**

Description	Part ID	A	C1	D x L1	Weight (lb)	D x S
TA1 Mounting bracket, single (Ø 3 x 8)	147-0397		5.12"	3 x 8	4.0 lbs	76 x 200



TA2 Mounting bracket, double (Ø 3 x 8)	147-0398		5.12"	3 x 8	4.0 lbs	76 x 200
--	----------	--	-------	-------	---------	----------

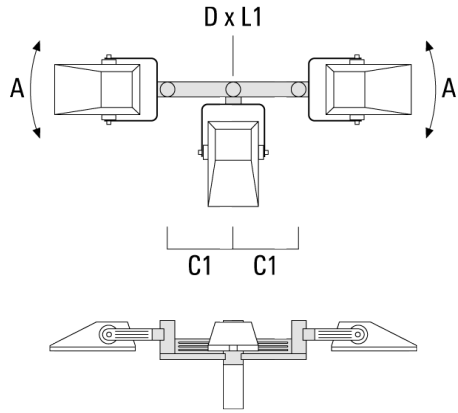




# FLA730 LED

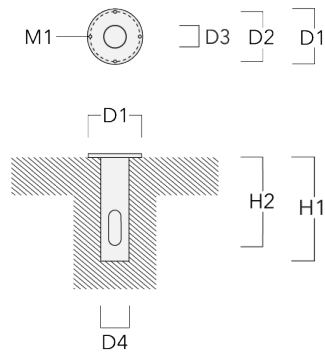
## Street and Area Lighting

Description	Part ID	A	C1	D x L1	Weight (lb)	D x S
TA3 Mounting bracket, triple (Ø 3 x 8)	147-0404	±90°	16.54"	3 x 8	39.46 lbs	76 x 200



## Planted root

Description	Part ID	D1	D2	D3	D4	H1	H2	M1	Weight (lb)
Planted root ESV4	300-0461	5.71	5.12	4.01	4.25	15.75	13.78	.31	15.54



### WE-EF LIGHTING USA, LLC

410-D Keystone Drive, 15086 Warrendale, PA 15086 - Phone: +1 724 742 0030  
 customersupport.usa@we-ef.com - <https://we-ef.com/us>  
 Subject to technical changes and errors. - Generated on 11/23/2024

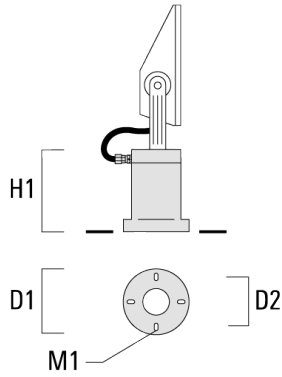
# FLA730 LED



## Street and Area Lighting

### Short post EM

Description	Part ID	D1	D2	H1	M1	Weight (lb)
EM1-M16	270-9038	6.3	5.12	7.87"	0.35"	4.85 lbs



#### WE-EF LIGHTING USA, LLC

410-D Keystone Drive, 15086 Warrendale, PA 15086 - Phone: +1 724 742 0030  
customersupport.usa@we-ef.com - <https://we-ef.com/us>

Subject to technical changes and errors. - Generated on 11/23/2024

**Optical Accessories****Light shield**

Description	Part ID	Additional information
LS180-[A60]	430-0038	Light shield LS180 to greatly reduce or eliminate light pollution. PA injection moulded component, black matt. Suitable for asymmetric light distribution [A60].
LS180	430-0029	Glare Shield for backlight spill. Glare Shield factory-installed or available as retrofit kit. Suitable for [S60], [S65], [S70], [R65], [P65] lenses. Must be specified at time of ordering.