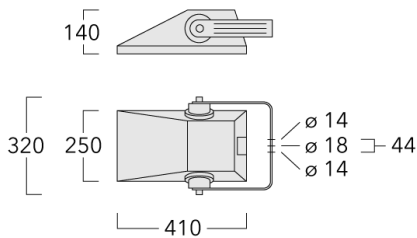


FLA730 LED

Pole mounted

we-ef



Description

IP66. IK08. Marine-grade, die-cast aluminium alloy. 5CE superior corrosion protection including PCS hardware. Safety glass lens, hinged. Silicone CCG® Controlled Compression Gasket.

Integral EC electronic converter in thermally-shielded compartment. DALI interface. Advanced thermal management protects LEDs while optimising lumens output. Removable LED boards for upgrading. CAD-optimised optics for superior illumination and glare control. OLC® One LED Concept.

Protractor scale for accurate aiming from 0° to 15° above horizontal.





WE-EF LIGHTING (Thailand) Co., Ltd.

57 Moo 5, Kingkaew Rd., Bangplee, 10540 Samutprakarn - Phone: +66 2 738 96 20 - Fax: +66 2 738 96 29

<https://we-ef.com/asia>

Subject to technical changes and errors. - Generated on 23/11/2024

Specifications**Material description**

Body	Marine-grade, die-cast aluminium alloy
Lens	Safety glass lens, hinged
Colours	 RAL9004 Signal black  RAL9007 Grey aluminium  RAL7016 Anthracite grey  RAL9016 Traffic white
Gasket	Silicone CCG® Controlled Compression Gasket
Fasteners	PCS Polymer Coated Stainless Steel Hardware
Ingress protection	IP66
Impact resistance	IK08
Corrosion resistance	5CE
Windage	0.045 m ²

Electrical description

Power supply	220-240V / 50-60 Hz
Driver / Ballast	Integral EC electronic converter in thermally-shielded compartment with DALI interface

Additional information

Lifetime	Ta=25° L90B10 > 90000h
BUG Rating	Please see individual Spec Sheets for classification of Backlight, Uplight and Glare

FLA730 LED

Pole mounted

Options

Light distribution



asymmetric, side throw [S65]



rectangular, side throw [R65]



asymmetric, forward throw [A60]

Colour temperature



3000 K

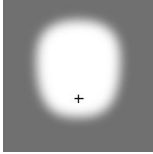
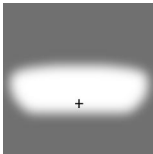
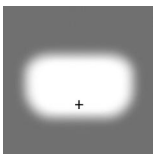


4000 K

Nominal Watt

0 W

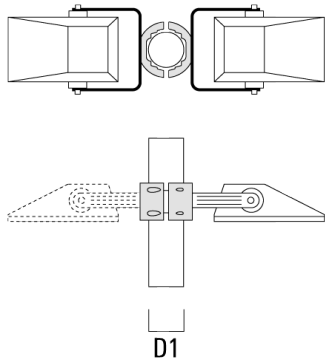
Configurations

Light distribution	Part ID	Light source	Rated lumens	Rated input power	CRI	Weight (kg)
asymmetric, forward throw [A60] 	147-0689	LED-12/24W / 700 mA - 3000 K	2606.4	27 W	80	7.40
	147-0690	LED-12/24W / 700 mA - 4000 K	2786.2	27 W	80	7.40
	147-0695	LED-18/54W / 1050 mA - 3000 K	5797.1	59 W	80	7.40
	147-0696	LED-18/54W / 1050 mA - 4000 K	6066.7	59 W	80	7.40
	147-0707	LED-12/36W / 1050 mA - 3000 K	3864.7	41 W	80	7.40
	147-0708	LED-12/36W / 1050 mA - 4000 K	4044.5	41 W	80	7.40
	147-0719	LED-18/36W / 700 mA - 3000 K	3909.6	41 W	80	7.40
	147-0720	LED-18/36W / 700 mA - 4000 K	4179.3	41 W	80	7.40
asymmetric, side throw [S65] 	147-0685	LED-12/24W / 700 mA - 3000 K	2780.3	27 W	80	7.40
	147-0686	LED-12/24W / 700 mA - 4000 K	2972.1	27 W	80	7.40
	147-0691	LED-18/54W / 1050 mA - 3000 K	6183.8	59 W	80	7.40
	147-0692	LED-18/54W / 1050 mA - 4000 K	6471.4	59 W	80	7.40
	147-0703	LED-12/36W / 1050 mA - 3000 K	4122.5	41 W	80	7.40
	147-0704	LED-12/36W / 1050 mA - 4000 K	4314.3	41 W	80	7.40
	147-0715	LED-18/36W / 700 mA - 3000 K	4170.5	41 W	80	7.40
	147-0716	LED-18/36W / 700 mA - 4000 K	4458.1	41 W	80	7.40
rectangular, side throw [R65] 	147-0687	LED-12/24W / 700 mA - 3000 K	2434.4	27 W	80	7.40
	147-0688	LED-12/24W / 700 mA - 4000 K	2602.3	27 W	80	7.40
	147-0693	LED-18/54W / 1050 mA - 3000 K	5414.5	59 W	80	7.40
	147-0694	LED-18/54W / 1050 mA - 4000 K	5666.4	59 W	80	7.40
	147-0705	LED-12/36W / 1050 mA - 3000 K	3609.7	41 W	80	7.40
	147-0706	LED-12/36W / 1050 mA - 4000 K	3777.6	41 W	80	7.40
	147-0717	LED-18/36W / 700 mA - 3000 K	3651.7	41 W	80	7.40
	147-0718	LED-18/36W / 700 mA - 4000 K	3903.5	41 W	80	7.40

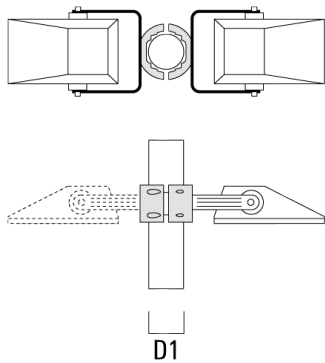
Mounting Accessories

Pole clamp

Description	Part ID	D1	Weight (kg)	D
Pole clamp TS1-2/M10, single (Ø 76-89)	147-0371	76-89	1.40	76-89



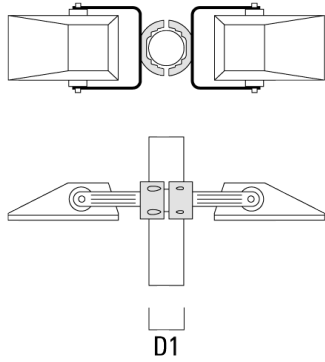
Pole clamp TS1-2/M10, single (Ø 102-114)	147-0372	102-114	1.60	102-114
--	----------	---------	------	---------



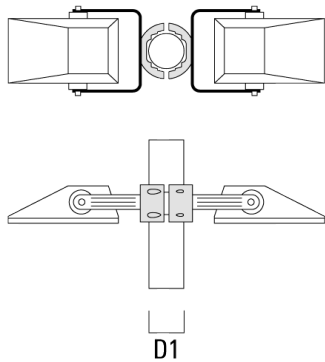
FLA730 LED

Pole mounted

Description	Part ID	D1	Weight (kg)	D
Pole clamp TS2-2/M10, double (Ø 76-89)	147-0373	76-89	1.50	76-89

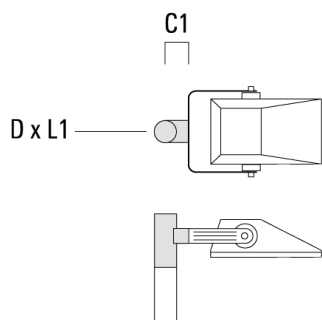


Pole clamp TS2-2/M10, double (Ø 102-114)	147-0374	102-114	1.60	102-114
--	----------	---------	------	---------

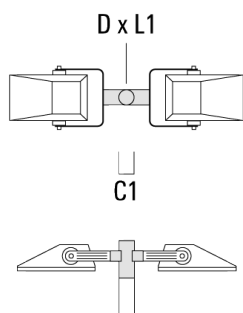


Floodlight mounting bracket TA

Description	Part ID	C1	D x L1	Weight (kg)	D x S
Mounting fitter TA1, single* (Ø 76 x 200)	147-0397	130	76 x 200	1.7	76 x 200



Mounting fitter TA2, double* (Ø 76 x 200)	147-0398	130	76 x 200	1.8	76 x 200
---	----------	-----	----------	-----	----------

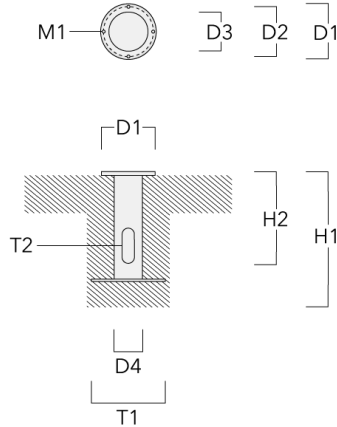


FLA730 LED

Pole mounted

Planted root

Description	Part ID	D1	D2	D3	D4	H1	H2	M1	T1	T2	Weight (kg)
Planted root ESV4	300-0461-AP	150	130	60	89	400	350	8	200	50 x 100	3.85



Short post

Description	Part ID	D1	D2	H1	M1	Weight (kg)
Short post EM1-M16	270-9038	160	130	200	9	2

