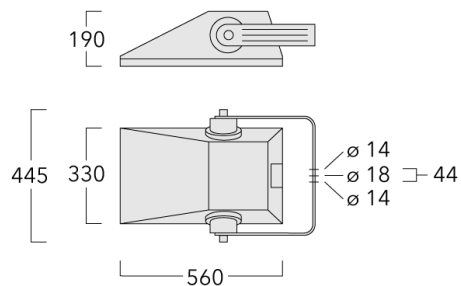


FLA740 LED

Pole mounted

we-ef



Description

IP66, Class I. IK08. Marine-grade, die-cast aluminium alloy. 5CE superior corrosion protection including PCS hardware. Silicone rubber gasket. Safety glass lens, hinged. Protractor scale for accurate aiming from 0° to 15° above horizontal. Integral EC electronic converter in thermally separated compartment. DALI. CAD-optimised optics for superior illumination and glare control. OLC® One LED Concept. Factory installed LED circuit board.






Optional 2200 K version available. To be specified at time of ordering.

WE-EF LEUCHTEN GmbH

Töpinger Straße 16, 29646 Bispingen, Germany - Phone: +49 5194 909-0
info@we-ef.com - <https://we-ef.com>

Subject to technical changes and errors. - Generated on 23/11/2024

Specifications**Material description**

Body	Marine-grade, die-cast aluminium alloy
Lens	Safety glass lens, hinged
Colours	 RAL9004 Signal black  RAL9006 White aluminium  RAL9007 Grey aluminium  RAL7016 Anthracite grey  RAL9016 Traffic white
Gasket	Silicone rubber gasket
Fasteners	PCS Polymer Coated Stainless Steel Hardware
Ingress protection	IP66
Impact resistance	IK08
Corrosion resistance	5CE
Windage	0.09 m ²

Electrical description

Power supply	220-240V / 50-60 Hz
Driver / Ballast	Integral EC electronic converter. DALI
Surge protection	6/6 kV (optional SP10)

Additional information

Lifetime	Ta=25° L90B10 > 90000h
Energy efficiency class	C-D (Light source)

FLA740 LED

Pole mounted

Options

Light distribution



asymmetric, side throw beam [S65]



rectangular, side throw [R65]

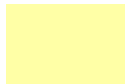


asymmetric, forward throw [A60]

Colour temperature



3000 K

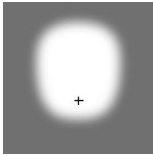
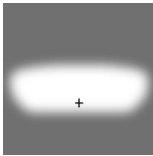


4000 K

Nominal Watt

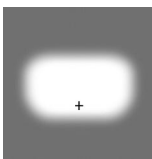
0 W

Configurations

Light distribution	Part ID	Light source	Rated lumens	Rated input power	CRI	Weight (kg)
asymmetric, forward throw [A60] 	147-0683	LED-24/72W / 1050 mA - 3000 K	7709.6	81 W	80	9.60
	147-0683-70	LED-24/72W / 1050 mA - 3000 K	8785.3	81 W	70	9.60
	147-0684	LED-24/72W / 1050 mA - 4000 K	8068.2	81 W	80	9.60
	147-0684-70	LED-24/72W / 1050 mA - 4000 K	9143.9	81 W	70	9.60
	147-0701	LED-18/54W / 1050 mA - 3000 K	5782.2	59 W	80	9.60
	147-0701-70	LED-18/54W / 1050 mA - 3000 K	6589	59 W	70	9.60
	147-0702	LED-18/54W / 1050 mA - 4000 K	6051.1	59 W	80	9.60
	147-0702-70	LED-18/54W / 1050 mA - 4000 K	6857.9	59 W	70	9.60
	147-0713	LED-18/36W / 700 mA - 3000 K	3899.6	41 W	80	9.60
	147-0713-70	LED-18/36W / 700 mA - 3000 K	4437.5	41 W	70	9.60
	147-0714	LED-18/36W / 700 mA - 4000 K	4168.6	41 W	80	9.60
	147-0714-70	LED-18/36W / 700 mA - 4000 K	4706.4	41 W	70	9.60
	147-0725	LED-24/48W / 700 mA - 3000 K	5199.5	54 W	80	9.60
	147-0725-70	LED-24/48W / 700 mA - 3000 K	5916.7	54 W	70	9.60
	147-0726	LED-24/48W / 700 mA - 4000 K	5558.1	54 W	80	9.60
147-0726-70	LED-24/48W / 700 mA - 4000 K	6275.2	54 W	70	9.60	
asymmetric, side throw beam [S65] 	147-0679	LED-24/72W / 1050 mA - 3000 K	8269.6	81 W	80	9.60
	147-0679-70	LED-24/72W / 1050 mA - 3000 K	9423.5	81 W	70	9.60
	147-0680	LED-24/72W / 1050 mA - 4000 K	8654.2	81 W	80	9.60
	147-0680-70	LED-24/72W / 1050 mA - 4000 K	9808.1	81 W	70	9.60
	147-0697	LED-18/54W / 1050 mA - 3000 K	6202.2	59 W	80	9.60
	147-0697-70	LED-18/54W / 1050 mA - 3000 K	7067.6	59 W	70	9.60
	147-0698	LED-18/54W / 1050 mA - 4000 K	6490.7	59 W	80	9.60
	147-0698-70	LED-18/54W / 1050 mA - 4000 K	7356.1	59 W	70	9.60
	147-0709	LED-18/36W / 700 mA - 3000 K	4182.9	41 W	80	9.60
	147-0709-70	LED-18/36W / 700 mA - 3000 K	4759.8	41 W	70	9.60
	147-0710	LED-18/36W / 700 mA - 4000 K	4471.4	41 W	80	9.60
	147-0710-70	LED-18/36W / 700 mA - 4000 K	5048.3	41 W	70	9.60
	147-0721	LED-24/48W / 700 mA - 3000 K	5577.2	54 W	80	9.60
	147-0721-70	LED-24/48W / 700 mA - 3000 K	6346.4	54 W	70	9.60
	147-0722	LED-24/48W / 700 mA - 4000 K	5961.8	54 W	80	9.60
147-0722-70	LED-24/48W / 700 mA - 4000 K	6731.1	54 W	70	9.60	
rectangular, side throw [R65]	147-0681	LED-24/72W / 1050 mA - 3000 K	7534	81 W	80	9.60
	147-0681-70	LED-24/72W / 1050 mA - 3000 K	8585.3	81 W	70	9.60
	147-0682	LED-24/72W / 1050 mA - 4000 K	7884.5	81 W	80	9.60

FLA740 LED

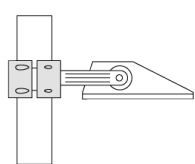
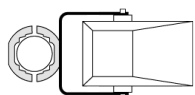
Pole mounted

Light distribution	Part ID	Light source	Rated lumens	Rated input power	CRI	Weight (kg)
	147-0682-70	LED-24/72W / 1050 mA - 4000 K	8935.7	81 W	70	9.60
	147-0699	LED-18/54W / 1050 mA - 3000 K	5650.5	59 W	80	9.60
	147-0699-70	LED-18/54W / 1050 mA - 3000 K	6439	59 W	70	9.60
	147-0700	LED-18/54W / 1050 mA - 4000 K	5913.3	59 W	80	9.60
	147-0700-70	LED-18/54W / 1050 mA - 4000 K	6701.8	59 W	70	9.60
	147-0711	LED-18/36W / 700 mA - 3000 K	3810.8	41 W	80	9.60
	147-0711-70	LED-18/36W / 700 mA - 3000 K	4336.5	41 W	70	9.60
	147-0712	LED-18/36W / 700 mA - 4000 K	4073.6	41 W	80	9.60
	147-0712-70	LED-18/36W / 700 mA - 4000 K	4599.3	41 W	70	9.60
	147-0723	LED-24/48W / 700 mA - 3000 K	5081.1	54 W	80	9.60
	147-0723-70	LED-24/48W / 700 mA - 3000 K	5781.9	54 W	70	9.60
	147-0724	LED-24/48W / 700 mA - 4000 K	5431.5	54 W	80	9.60
	147-0724-70	LED-24/48W / 700 mA - 4000 K	6132.4	54 W	70	9.60

Mounting Accessories

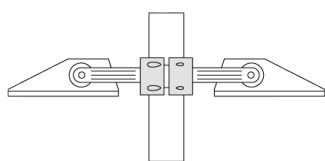
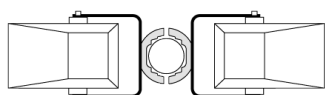
Pole clamp TS

Description	Part ID	D1	Weight (kg)	D
TS1-2/M12 Pole clamp, single (Ø 76-89)	147-0543	76-89	1.40	76-89



D1

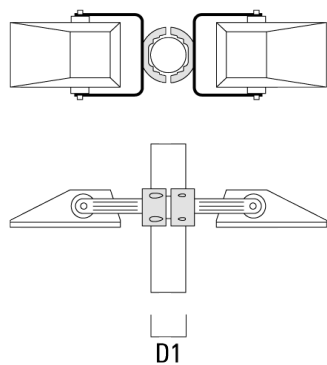
TS2-2/M12 Pole clamp, double (Ø 76-89)	147-0545	76-89	1.40	76-89
--	----------	-------	------	-------



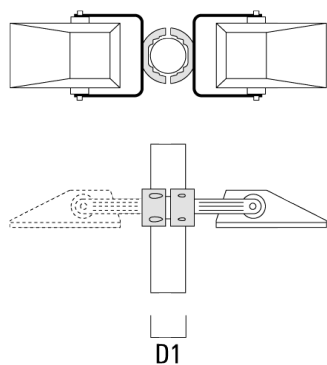
D1

Pole mounted

Description	Part ID	D1	Weight (kg)	D
TS2-2/M12 Pole clamp, double (Ø 114-133)	147-0546	114-133	1.60	114-133

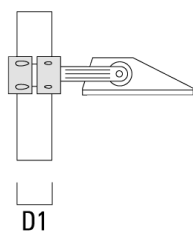
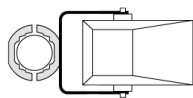


TS1-2/M12 Pole clamp, single (Ø 102-114)	147-0526	102-114	1.50	102-114
--	----------	---------	------	---------

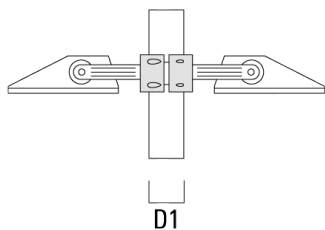
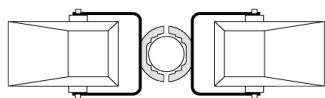


Pole mounted

Description	Part ID	D1	Weight (kg)	D
TS1-2/M12 Pole clamp, single (Ø 114-133)	147-0544	114-133	1.70	114-133

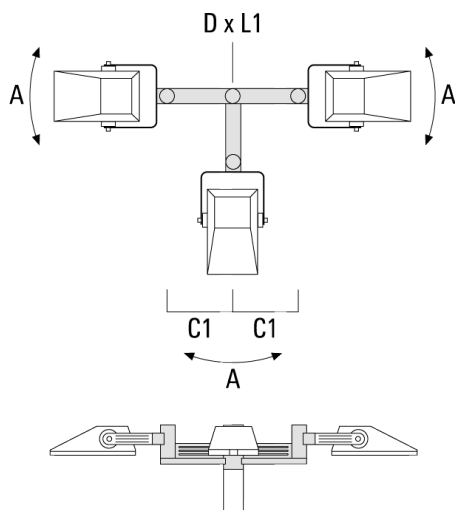


TS2-2/M12 Pole clamp, double (Ø 102-114)	147-0527	102-114	1.50	102-114
--	----------	---------	------	---------

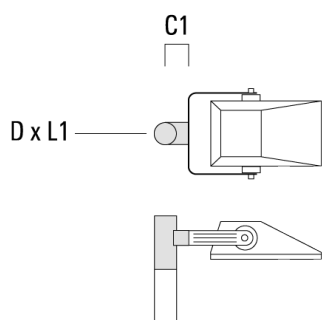


Floodlight mounting bracket TA

Description	Part ID	A	C1	D x L1	Weight (kg)	D x S
TA3-L Mounting bracket, triple (Ø 89 x 200)	147-0557	±9°	690	89 x 200	20.80	89 x 200

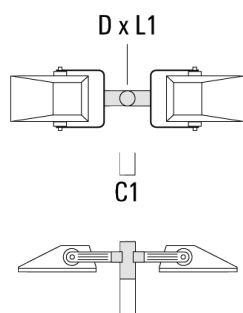


TA1 Mounting bracket, single* (Ø 76 x 200)	147-0023		130	76 x 200	1.90	76 x 200
--	----------	--	-----	----------	------	----------

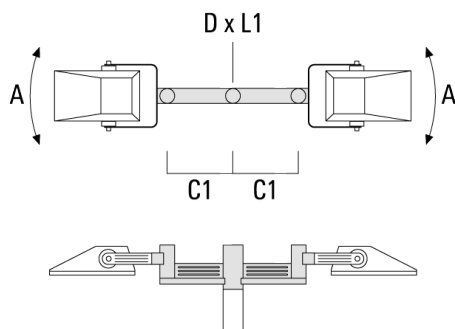


Pole mounted

Description	Part ID	A	C1	D x L1	Weight (kg)	D x S
TA2 Mounting bracket, double* (Ø 76 x 200)	147-0024		130	76 x 200	1.90	76 x 200



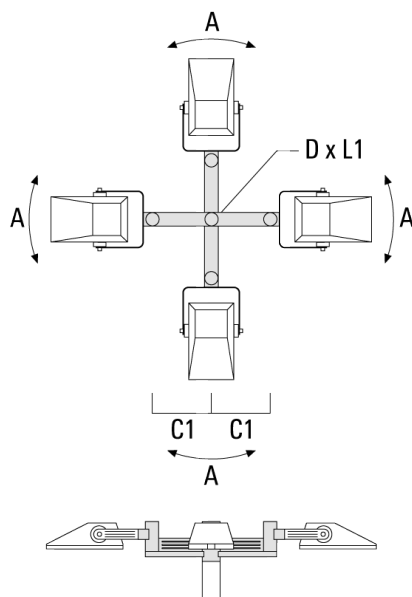
TA2-L Mounting bracket, double (Ø 76 x 200)	147-0105	±90°	420	76 x 200	16.10	76 x 200
---	----------	------	-----	----------	-------	----------



FLA740 LED

Pole mounted

Description	Part ID	A	C1	D x L1	Weight (kg)	D x S
TA4-L Mounting bracket, quad (Ø 89 x 200)	147-0465	±9°	690	89 x 200	22.60	89x200



WE-EF LEUCHTEN GmbH

Töpinger Straße 16, 29646 Bispingen, Germany - Phone: +49 5194 909-0
info@we-ef.com - <https://we-ef.com>

Subject to technical changes and errors. - Generated on 23/11/2024

Optical Accessories**Light shield**

Description	Part ID	Additional information
LS180-[A60]	430-0038	Light shield LS180 to greatly reduce or eliminate light pollution. PA injection moulded component, black matt. Suitable for asymmetric light distribution [A60].
LS180	430-0029	Glare Shield for backlight spill. Glare Shield factory-installed or available as retrofit kit. Suitable for [S60], [S65], [S70], [R65], [P65] lenses. Must be specified at time of ordering.