

FLA740 LED

Pole mounted

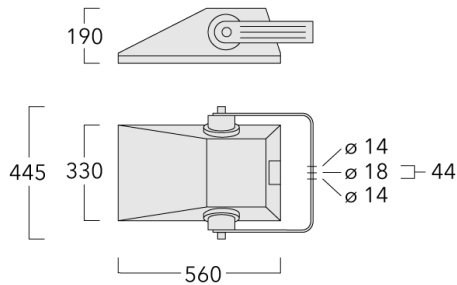
we-ef



Description

IP66. IK08. Marine-grade, die-cast aluminium alloy. 5CE superior corrosion protection + primer including PCS hardware. Safety glass lens, hinged. Silicone CCG® Controlled Compression Gasket. Protractor scale for accurate aiming from 0° to 15° above horizontal.

Integral EC electronic converter in thermally-shielded compartment. Advanced thermal management protects LEDs while optimising lumens output. Removable LED boards for upgrading. CAD-optimised optics for superior illumination and glare control. OLC_R_ One LED Concept. Optional 2200 K version available. To be specified at time of ordering.






WE-EF LIGHTING Pty Ltd

6/13 Downard Street, 3195 Braeside, Victoria - Phone: +61 3 8587 0444 - Fax: +61 3 8587 0499

info.australia@we-ef.com - <https://we-ef.com/aus>

Subject to technical changes and errors. - Generated on 23/10/2024

Specifications**Material description**

Body	Marine-grade, die-cast aluminium alloy
Lens	Safety glass lens, hinged
Colours	 RAL9004 Signal black  RAL9006 White aluminium  RAL9007 Grey aluminium
Gasket	Silicone CCG® Controlled Compression Gasket
Fasteners	PCS Polymer Coated Stainless Steel Hardware (unpainted)
Ingress protection	IP66
Impact resistance	IK08
Corrosion resistance	5CE+Primer
Windage	0.09 m ²

Electrical description

Power supply	230V / 50 Hz
Driver / Ballast	Integral EC electronic converter
Surge protection	In-pole surge protection SP10 device supplied. Please refer to WE-EF installation instructions for details. Use suffix +A for Integral surge protection.

Additional information

Lifetime	Ta=40° L90B10 > 90000h
Warranty	The product is supplied with 10-year warranty. Please refer to the LED Warranty Statement located on www.we-ef.com for further details.

FLA740 LED

Pole mounted

Options

Light distribution



asymmetric, side throw [S65]



rectangular, side throw [R65]



asymmetric, forward throw [A60]

Colour temperature



3000 K

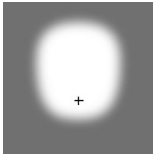
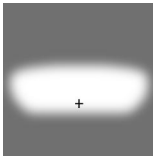
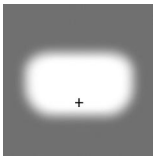


4000 K

Nominal Watt

0 W

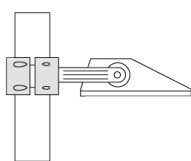
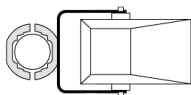
Configurations

Light distribution	Part ID	Light source	Rated lumens	Rated input power	CRI	Weight (kg)
asymmetric, forward throw [A60] 	147-0683	LED-24/72W / 1050 mA - 3000 K	7709.6	81 W	80	9.60
	147-0684	LED-24/72W / 1050 mA - 4000 K	8068.2	81 W	80	9.60
	147-0701	LED-18/54W / 1050 mA - 3000 K	5782.2	59 W	80	9.60
	147-0702	LED-18/54W / 1050 mA - 4000 K	6051.1	59 W	80	9.60
	147-0713	LED-18/36W / 700 mA - 3000 K	3899.6	41 W	80	9.60
	147-0714	LED-18/36W / 700 mA - 4000 K	4168.6	41 W	80	9.60
	147-0725	LED-24/48W / 700 mA - 3000 K	5199.5	54 W	80	9.60
	147-0726	LED-24/48W / 700 mA - 4000 K	5558.1	54 W	80	9.60
asymmetric, side throw [S65] 	147-0679	LED-24/72W / 1050 mA - 3000 K	8269.6	81 W	80	9.60
	147-0680	LED-24/72W / 1050 mA - 4000 K	8654.2	81 W	80	9.60
	147-0697	LED-18/54W / 1050 mA - 3000 K	6202.2	59 W	80	9.60
	147-0698	LED-18/54W / 1050 mA - 4000 K	6490.7	59 W	80	9.60
	147-0709	LED-18/36W / 700 mA - 3000 K	4182.9	41 W	80	9.60
	147-0710	LED-18/36W / 700 mA - 4000 K	4471.4	41 W	80	9.60
	147-0721	LED-24/48W / 700 mA - 3000 K	5577.2	54 W	80	9.60
	147-0722	LED-24/48W / 700 mA - 4000 K	5961.8	54 W	80	9.60
rectangular, side throw [R65] 	147-0681	LED-24/72W / 1050 mA - 3000 K	7534	81 W	80	9.60
	147-0682	LED-24/72W / 1050 mA - 4000 K	7884.5	81 W	80	9.60
	147-0699	LED-18/54W / 1050 mA - 3000 K	5650.5	59 W	80	9.60
	147-0700	LED-18/54W / 1050 mA - 4000 K	5913.3	59 W	80	9.60
	147-0711	LED-18/36W / 700 mA - 3000 K	3810.8	41 W	80	9.60
	147-0712	LED-18/36W / 700 mA - 4000 K	4073.6	41 W	80	9.60
	147-0723	LED-24/48W / 700 mA - 3000 K	5081.1	54 W	80	9.60
	147-0724	LED-24/48W / 700 mA - 4000 K	5431.5	54 W	80	9.60

Mounting Accessories

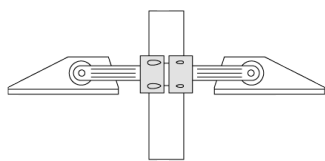
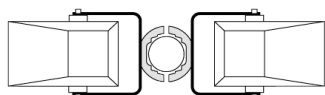
Pole clamp TS

Description	Part ID	D1	Weight (kg)	D
TS1-2/M12 Pole clamp, single (Ø 76-89)	147-0543	76-89	1.40	76-89



D1

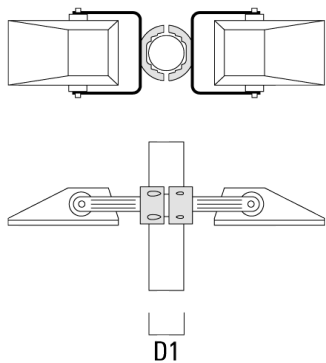
TS2-2/M12 Pole clamp, double (Ø 76-89)	147-0545	76-89	1.40	76-89
--	----------	-------	------	-------



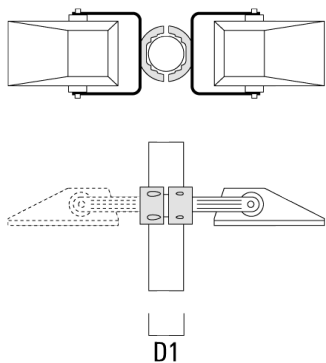
D1

Pole mounted

Description	Part ID	D1	Weight (kg)	D
TS2-2/M12 Pole clamp, double (Ø 114-133)	147-0546	114-133	1.60	114-133

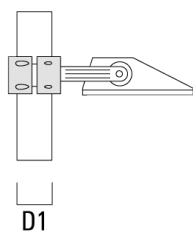
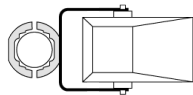


TS1-2/M12 Pole clamp, single (Ø 102-114)	147-0526	102-114	1.50	102-114
--	----------	---------	------	---------

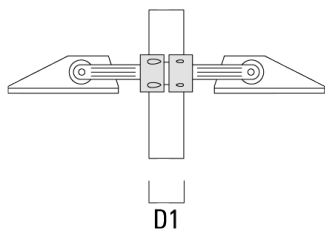
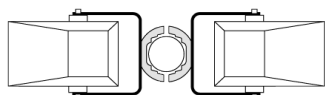


Pole mounted

Description	Part ID	D1	Weight (kg)	D
TS1-2/M12 Pole clamp, single (Ø 114-133)	147-0544	114-133	1.70	114-133



TS2-2/M12 Pole clamp, double (Ø 102-114)	147-0527	102-114	1.50	102-114
--	----------	---------	------	---------



Floodlight mounting bracket TA

WE-EF LIGHTING Pty Ltd

6/13 Downard Street, 3195 Braeside, Victoria - Phone: +61 3 8587 0444 - Fax: +61 3 8587 0499

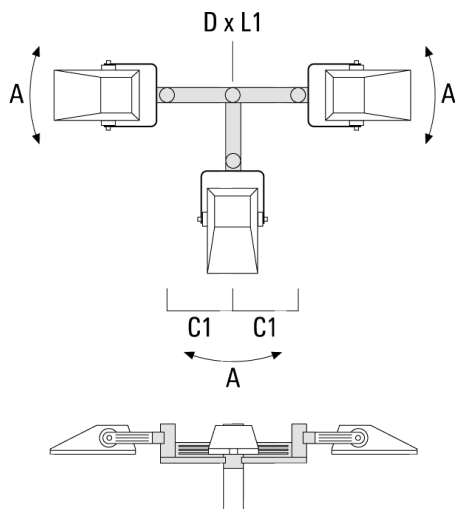
info.australia@we-ef.com - <https://we-ef.com/aus>

Subject to technical changes and errors. - Generated on 23/10/2024

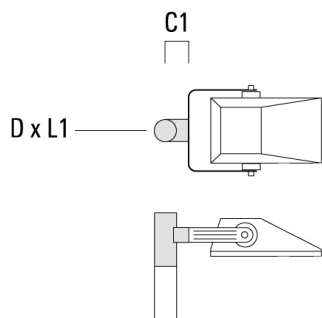
FLA740 LED

Pole mounted

Description	Part ID	A	C1	D x L1	Weight (kg)	D x S
TA3-L Mounting bracket, triple (Ø 89 x 200)	147-0557	±9°	690	89 x 200	20.80	89 x 200



TA1 Mounting bracket, single* (Ø 76 x 200)	147-0023		130	76 x 200	1.90	76 x 200
--	----------	--	-----	----------	------	----------



WE-EF LIGHTING Pty Ltd

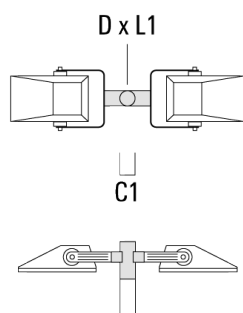
6/13 Downard Street, 3195 Braeside, Victoria - Phone: +61 3 8587 0444 - Fax: +61 3 8587 0499

info.australia@we-ef.com - <https://we-ef.com/aus>

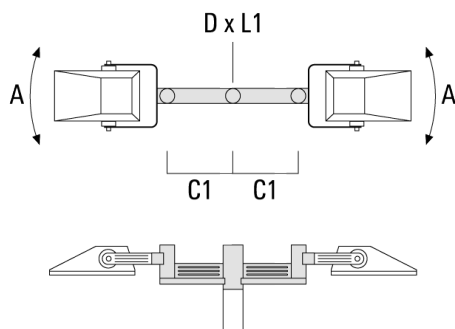
Subject to technical changes and errors. - Generated on 23/10/2024

Pole mounted

Description	Part ID	A	C1	D x L1	Weight (kg)	D x S
TA2 Mounting bracket, double* (Ø 76 x 200)	147-0024		130	76 x 200	1.90	76 x 200



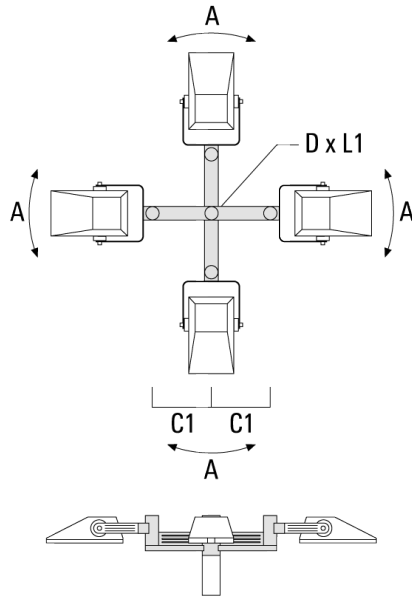
TA2-L Mounting bracket, double (Ø 76 x 200)	147-0105	±90°	420	76 x 200	16.10	76 x 200
---	----------	------	-----	----------	-------	----------



FLA740 LED

Pole mounted

Description	Part ID	A	C1	D x L1	Weight (kg)	D x S
TA4-L Mounting bracket, quad (Ø 89 x 200)	147-0465	±9°	690	89 x 200	22.60	89x200



WE-EF LIGHTING Pty Ltd

6/13 Downard Street, 3195 Braeside, Victoria - Phone: +61 3 8587 0444 - Fax: +61 3 8587 0499

info.australia@we-ef.com - <https://we-ef.com/aus>

Subject to technical changes and errors. - Generated on 23/10/2024

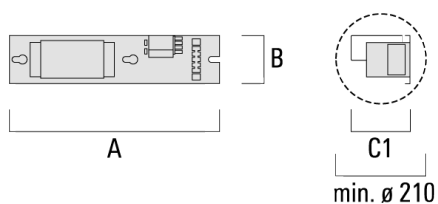
FLA740 LED

Pole mounted

Electrical Accessories

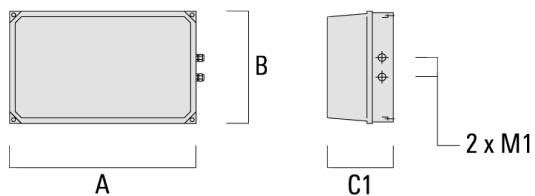
Platine

Description	Part ID	A	B	C1	Weight (kg)
PT110 and 2 fuses E14 for HI 2000W, ~400V/9,60-11,30A	400-0180[HPF]	500	145	160	13.60



Gear box DK6/DK6A

Description	Part ID	A	B	C1	M1
DK6A HI 2000W, ~400V/9,60-11,30 A	400-0271[HPF]	475	290	220	20



Optical Accessories**Light shield**

Description	Part ID	Additional information
LS180-[A60]	003-4018	Glare Shield for backlight spill. Glare Shield factory-installed or available as retrofit kit. Suitable for [A60] lenses. Must be specified at time of ordering.
LS180	003-4019	Glare Shield for backlight spill. Glare Shield factory-installed or available as retrofit kit. Suitable for [S60], [S65], [S70], [R65], [P65] lenses. Must be specified at time of ordering.

FLA740 LED

Pole mounted

WE-EF LIGHTING Pty Ltd

6/13 Downard Street, 3195 Braeside, Victoria

Phone: +61 3 8587 0444

Fax: +61 3 8587 0499

info.australia@we-ef.com

<https://we-ef.com/aus>

Subject to technical changes and errors.

Generated on 23/10/2024