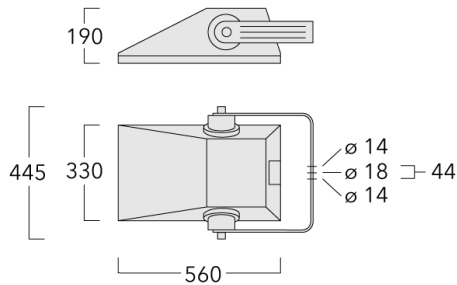


FLA740 LED

Pole mounted

we-ef



Description

IP66. IK08. Marine-grade, die-cast aluminium alloy. 5CE superior corrosion protection including PCS hardware. Safety glass lens, hinged. Silicone CCG® Controlled Compression Gasket.

Integral electronic converter with DALI interface in thermally-shielded compartment. Advanced thermal management protects LEDs while optimising lumens output. Removable LED boards for upgrading. CAD-optimised optics for superior illumination and glare control. OLC® One LED Concept. Optional 2200 K version available. To be specified at time of ordering.

Protractor scale for accurate aiming from 0° to 15° above horizontal.

Including 0.5 m cable with a cable connector.




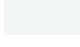
WE-EF LIGHTING (Thailand) Co., Ltd.

57 Moo 5, Kingkaew Rd., Bangplee, 10540 Samutprakarn - Phone: +66 2 738 96 20 - Fax: +66 2 738 96 29

<https://we-ef.com/asia>

Subject to technical changes and errors. - Generated on 23/11/2024

Specifications**Material description**

Body	Marine-grade, die-cast aluminium alloy
Lens	Safety glass lens, hinged
Colours	 RAL9004 Signal black  RAL9007 Grey aluminium  RAL7016 Anthracite grey  RAL9016 Traffic white
Gasket	Silicone CCG® Controlled Compression Gasket
Fasteners	PCS Polymer Coated Stainless Steel Hardware
Ingress protection	IP66
Impact resistance	IK08
Corrosion resistance	5CE
Windage	0.09 m ²

Electrical description

Power supply	220-240V / 50-60 Hz
Driver / Ballast	Integral electronic converter with DALI interface in thermally-shielded compartment

Additional information

Lifetime	Ta=25° L90B10 > 90000h
BUG Rating	Please see individual Spec Sheets for classification of Backlight, Uplight and Glare

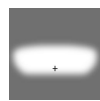
FLA740 LED

Pole mounted

we-ef

Options

Light distribution



asymmetric, side throw [S65]



rectangular, side throw [R65]



asymmetric, forward throw [A60]

Colour temperature



3000 K

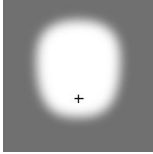
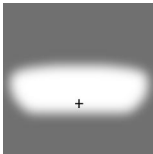
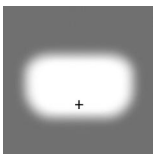


4000 K

Nominal Watt

0 W

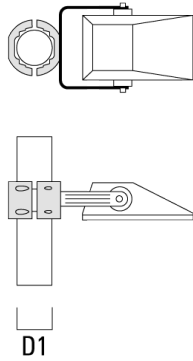
Configurations

Light distribution	Part ID	Light source	Rated lumens	Rated input power	CRI	Weight (kg)
asymmetric, forward throw [A60] 	147-0683	LED-24/72W / 1050 mA - 3000 K	7709.6	81 W	80	9.60
	147-0684	LED-24/72W / 1050 mA - 4000 K	8068.2	81 W	80	9.60
	147-0701	LED-18/54W / 1050 mA - 3000 K	5782.2	59 W	80	9.60
	147-0702	LED-18/54W / 1050 mA - 4000 K	6051.1	59 W	80	9.60
	147-0713	LED-18/36W / 700 mA - 3000 K	3899.6	41 W	80	9.60
	147-0714	LED-18/36W / 700 mA - 4000 K	4168.6	41 W	80	9.60
	147-0725	LED-24/48W / 700 mA - 3000 K	5199.5	54 W	80	9.60
	147-0726	LED-24/48W / 700 mA - 4000 K	5558.1	54 W	80	9.60
asymmetric, side throw [S65] 	147-0679	LED-24/72W / 1050 mA - 3000 K	8269.6	81 W	80	9.60
	147-0680	LED-24/72W / 1050 mA - 4000 K	8654.2	81 W	80	9.60
	147-0697	LED-18/54W / 1050 mA - 3000 K	6202.2	59 W	80	9.60
	147-0698	LED-18/54W / 1050 mA - 4000 K	6490.7	59 W	80	9.60
	147-0709	LED-18/36W / 700 mA - 3000 K	4182.9	41 W	80	9.60
	147-0710	LED-18/36W / 700 mA - 4000 K	4471.4	41 W	80	9.60
	147-0721	LED-24/48W / 700 mA - 3000 K	5577.2	54 W	80	9.60
	147-0722	LED-24/48W / 700 mA - 4000 K	5961.8	54 W	80	9.60
rectangular, side throw [R65] 	147-0681	LED-24/72W / 1050 mA - 3000 K	7534	81 W	80	9.60
	147-0682	LED-24/72W / 1050 mA - 4000 K	7884.5	81 W	80	9.60
	147-0699	LED-18/54W / 1050 mA - 3000 K	5650.5	59 W	80	9.60
	147-0700	LED-18/54W / 1050 mA - 4000 K	5913.3	59 W	80	9.60
	147-0711	LED-18/36W / 700 mA - 3000 K	3810.8	41 W	80	9.60
	147-0712	LED-18/36W / 700 mA - 4000 K	4073.6	41 W	80	9.60
	147-0723	LED-24/48W / 700 mA - 3000 K	5081.1	54 W	80	9.60
	147-0724	LED-24/48W / 700 mA - 4000 K	5431.5	54 W	80	9.60

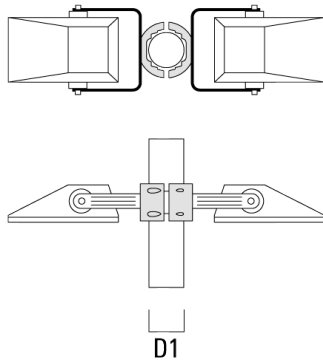
Mounting Accessories

Pole clamp

Description	Part ID	D1	Weight (kg)	D
Pole clamp TS1-2/M12, single (Ø 76-89)	147-0543	76-89	1.40	76-89



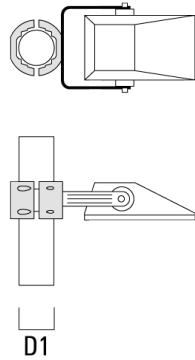
Pole clamp TS2-2/M12, double (Ø 76-89)	147-0545	76-89	1.40	76-89
--	----------	-------	------	-------



FLA740 LED

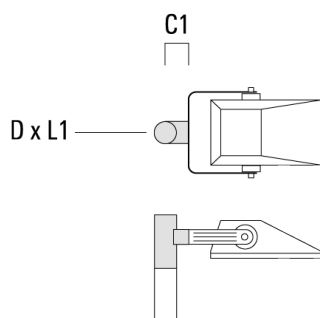
Pole mounted

Description	Part ID	D1	Weight (kg)	D
Pole clamp TS1-2/M12, single (Ø 114-140)	147-0643	114 x 140	1.70	



Floodlight mounting bracket TA

Description	Part ID	C1	D x L1	Weight (kg)	D x S
Mounting fitter TA1, single* (Ø 76 x 200)	147-0023	130	76 x 200	1.90	76 x 200



FLA740 LED

Pole mounted

Description	Part ID	C1	D × L1	Weight (kg)	D × S
Mounting fitter TA2, double* (Ø 76 x 200)	147-0024	130	76 x 200	1.90	76 x 200

