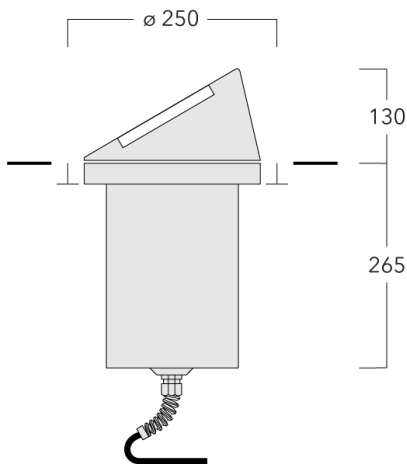


ESC130 LED

Inground luminaires

we-ef



Description

IP67, Class I. IK07. Stainless steel inground section. Die-cast hood made from marine-grade aluminium alloy. Construction helps to prevent accumulation of insects, leaves and debris on lens and restricts glare to passers-by. 5CE superior corrosion protection including PCS hardware. Safety glass lens. Silicone rubber gasket. Factory-sealed termination chamber with cable gland and 1.5 m of flexible PVC-free cable. Integral EC electronic converter. Advanced thermal management protects LEDs while optimising lumens output. Removable LED boards for upgrading. CAD-optimised optics for superior illumination and glare control. Luminaire installation blackout and sealable junction box included in supply.

WE-EF LIGHTING Pty Ltd

6/13 Downard Street, 3195 Braeside, Victoria - Phone: +61 3 8587 0444 - Fax: +61 3 8587 0499

info.australia@we-ef.com - <https://we-ef.com/aus>




Subject to technical changes and errors. - Generated on 23/11/2024

ESC130 LED

Inground luminaires

Specifications

Material description

Body	Stainless steel construction. Marine grade high pressure die cast aluminum frame.
Lens	Safety glass lens
Colours	 RAL9004 Signal black  RAL9006 White aluminium  RAL9007 Grey aluminium
Gasket	Silicone rubber gasket
Fasteners	PCS Polymer Coated Stainless Steel Hardware
Ingress protection	IP67
Impact resistance	IK07
Corrosion resistance	5CE

Electrical description

Driver / Ballast	Integral EC electronic converter
------------------	----------------------------------

Additional information

Lifetime	Ta=40° L90B10 > 90000h
----------	------------------------

ESC130 LED

Inground luminaires

we-ef

Options

Light distribution Colour temperature Nominal Watt

WE-EF LIGHTING Pty Ltd

6/13 Downard Street, 3195 Braeside, Victoria - Phone: +61 3 8587 0444 - Fax: +61 3 8587 0499

info.australia@we-ef.com - <https://we-ef.com/aus>

Subject to technical changes and errors. - Generated on 23/11/2024

ESC130 LED

Inground luminaires



Configurations

Light distribution	Part ID	Light source	Rated lumens	Rated input power	CRI	Weight (kg)
--------------------	---------	--------------	--------------	-------------------	-----	-------------

WE-EF LIGHTING Pty Ltd

6/13 Downard Street, 3195 Braeside, Victoria - Phone: +61 3 8587 0444 - Fax: +61 3 8587 0499

info.australia@we-ef.com - <https://we-ef.com/aus>

Subject to technical changes and errors. - Generated on 23/11/2024

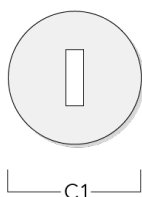
ESC130 LED

Inground luminaires

Mounting Accessories

Installation cover

Description	Part ID	C1
Installation cover BE	185-0325	250



Electrical Accessories**Sealable junction box**

Description	Part ID	C1	M1	M2
Sealable junction box SJB130	185-1624	146	Ø 10	Ø 12 - 19

