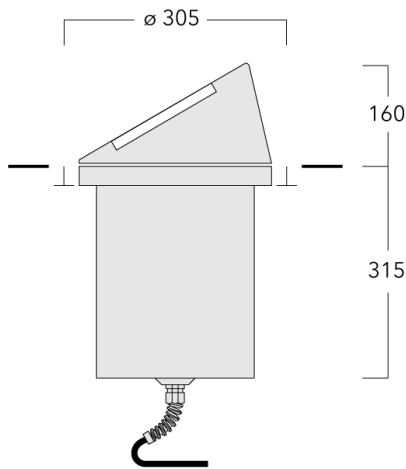
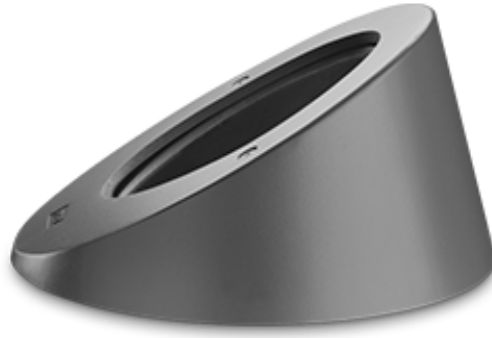


ESC140 LED

Inground luminaires

we-ef



Description

IP67, Class I. IK07. Stainless steel inground section. Die-cast hood made from marine-grade aluminium alloy. Construction helps to prevent accumulation of insects, leaves and debris on lens and restricts glare to passers-by. 5CE superior corrosion protection including PCS hardware. Safety glass lens. Silicone rubber gasket. Factory-sealed termination chamber with cable gland and 1.5 m of flexible PVC-free cable. Integral EC electronic converter. Advanced thermal management protects LEDs while optimising lumens output. Removable LED boards for upgrading. CAD-optimised optics for superior illumination and glare control. Luminaire installation blackout and sealable junction box included in supply.

WE-EF LIGHTING Pty Ltd

6/13 Downard Street, 3195 Braeside, Victoria - Phone: +61 3 8587 0444 - Fax: +61 3 8587 0499

info.australia@we-ef.com - <https://we-ef.com/aus>

Subject to technical changes and errors. - Generated on 23/11/2024

ESC140 LED




Inground luminaires

Specifications

Material description

Body Stainless steel inground section. Die-cast dome made from marine-grade aluminium alloy

Colours

	RAL9004 Signal black
	RAL9006 White aluminium
	RAL9007 Grey aluminium

Ingress protection IP67

Impact resistance IK07

Corrosion resistance 5CE

Electrical description

Additional information

Lifetime $T_a=40^\circ$ L90B10 > 90000h

ESC140 LED

Inground luminaires

we-ef

Options

Light distribution Colour temperature Nominal Watt

WE-EF LIGHTING Pty Ltd

6/13 Downard Street, 3195 Braeside, Victoria - Phone: +61 3 8587 0444 - Fax: +61 3 8587 0499

info.australia@we-ef.com - <https://we-ef.com/aus>

Subject to technical changes and errors. - Generated on 23/11/2024

ESC140 LED

Inground luminaires



Configurations

Light distribution	Part ID	Light source	Rated lumens	Rated input power	CRI	Weight (kg)
--------------------	---------	--------------	--------------	-------------------	-----	-------------

WE-EF LIGHTING Pty Ltd

6/13 Downard Street, 3195 Braeside, Victoria - Phone: +61 3 8587 0444 - Fax: +61 3 8587 0499

info.australia@we-ef.com - <https://we-ef.com/aus>

Subject to technical changes and errors. - Generated on 23/11/2024

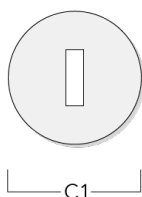
ESC140 LED

Inground luminaires

Mounting Accessories

Installation cover

Description	Part ID	C1
Installation cover BE	185-0326	300



Electrical Accessories

Sealable junction box

Description	Part ID	C1	M1	M2
Sealable junction box SJB130	185-1624	146	Ø 10	Ø 12 - 19

