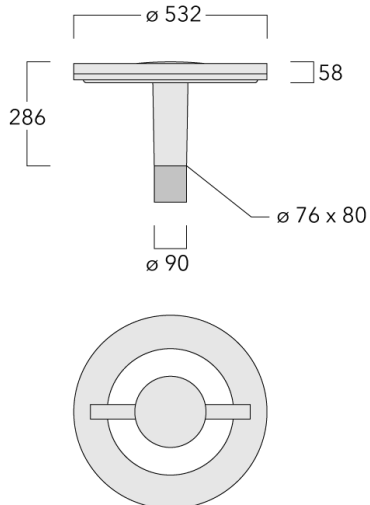


CFT530 LED

Pole mounted

we-ef



Description

IP66. Class I. IK08. Marine-grade, die-cast aluminium alloy. 5CE superior corrosion protection + primer including PCS hardware. Silicone CCG[®] Controlled Compression Gasket. RFC[™] Reflection Free Contour main lens. The luminaire is factory-sealed and does not need to be opened during installation. Integral EC electronic converter. DALI. Factory installed LED circuit board. LED board can be easily removed for upgrading. PMMA OLC[®] LED lenses for superior illumination and glare control. Optional 2200 K version available. To be specified at time of ordering.




WE-EF LIGHTING Pty Ltd

6/13 Downard Street, 3195 Braeside, Victoria - Phone: +61 3 8587 0444 - Fax: +61 3 8587 0499

info.australia@we-ef.com - <https://we-ef.com/aus>

Subject to technical changes and errors. - Generated on 23/11/2024

Specifications**Material description**

Body	Marine-grade, die-cast aluminium alloy
Lens	PMMA RFC® Reflection Free Contour technology
Colours	 RAL9004 Signal black  RAL9006 White aluminium  RAL9007 Grey aluminium
Gasket	Silicone CCG® Controlled Compression Gasket
Fasteners	PCS Polymer Coated Stainless Steel Hardware (unpainted)
Ingress protection	IP66
Impact resistance	IK08
Corrosion resistance	5CE+Primer
Windage	0.16 m ²

Electrical description

Power supply	230V / 50 Hz
Driver / Ballast	Integral EC electronic converter. DALI
Power factor	> 0.9
Surge protection	In-pole surge protection SP10 device supplied. Please refer to WE-EF installation instructions for details. Use suffix +A for Integral surge protection.

Additional information

Lifetime	Ta=40° L90B10 > 90000h
Warranty	The product is supplied with 10-year warranty. Please refer to the LED Warranty Statement located on www.we-ef.com for further details.

CFT530 LED

Pole mounted

we-ef

Options

Light distribution



controlled symmetric distribution [C50]



rectangular [R]

Colour temperature



3000 K



4000 K



2700 K

Nominal Watt

0 W

WE-EF LIGHTING Pty Ltd

6/13 Downard Street, 3195 Braeside, Victoria - Phone: +61 3 8587 0444 - Fax: +61 3 8587 0499

info.australia@we-ef.com - <https://we-ef.com/aus>

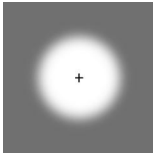
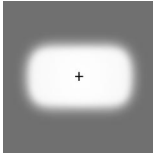
Subject to technical changes and errors. - Generated on 23/11/2024

CFT530 LED

Pole mounted

we-ef

Configurations

Light distribution	Part ID	Light source	Rated lumens	Rated input power	CRI	Weight (kg)
controlled symmetric distribution [C50] 	105-0092	LED-24/24W / 350 mA - 3000 K	3510.8	26.5 W	80	9.80
	105-0093	LED-24/24W / 350 mA - 4000 K	3850.6	26.5 W	80	9.80
	105-0096	LED-24/48W / 700 mA - 3000 K	6251.1	54 W	80	9.80
	105-0097	LED-24/48W / 700 mA - 4000 K	6682.2	54 W	80	9.80
	105-0237	LED-24/24W / 350 mA - 2700 K	3284.3	26.5 W	80	9.80
	105-0238	LED-24/48W / 700 mA - 2700 K	5820	54 W	80	9.80
rectangular [R] 	105-0094	LED-24/24W / 350 mA - 3000 K	3472.4	26.5 W	80	9.80
	105-0095	LED-24/24W / 350 mA - 4000 K	3808.5	26.5 W	80	9.80
	105-0098	LED-24/48W / 700 mA - 3000 K	6182.6	54 W	80	9.80
	105-0099	LED-24/48W / 700 mA - 4000 K	6609	54 W	80	9.80
	105-0239	LED-24/24W / 350 mA - 2700 K	3248.4	26.5 W	80	9.80
105-0240	LED-24/48W / 700 mA - 2700 K	5756.2	54 W	80	9.80	

WE-EF LIGHTING Pty Ltd

6/13 Downard Street, 3195 Braeside, Victoria - Phone: +61 3 8587 0444 - Fax: +61 3 8587 0499

info.australia@we-ef.com - <https://we-ef.com/aus>

Subject to technical changes and errors. - Generated on 23/11/2024

CFT530 LED

Pole mounted

we-ef

Control

Eco Step Dim® Basic

Description	Part ID
Eco Step Dim® Basic LED	430-0001

Eco Step Dim® Advanced

Description	Part ID
Eco Step Dim® Advanced LED	430-0002

WE-EF LIGHTING Pty Ltd

6/13 Downard Street, 3195 Braeside, Victoria - Phone: +61 3 8587 0444 - Fax: +61 3 8587 0499

info.australia@we-ef.com - <https://we-ef.com/aus>

Subject to technical changes and errors. - Generated on 23/11/2024