

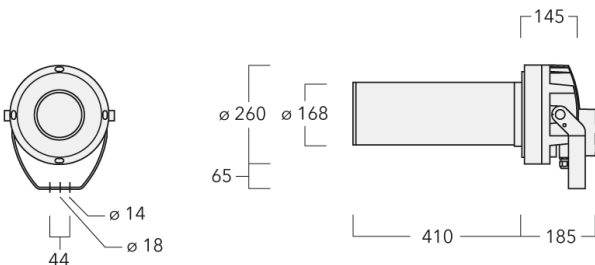


### Description

Profile Projector [FP] for framing applications, polygon shape. Spherical/triple flat convex lens system.





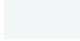
IP66, Class I. Class II on request. IK07. Marine-grade, die-cast aluminium alloy. 5CE superior corrosion protection including PCS hardware. Silicone CCG® Controlled Compression Gasket. Safety glass lens. One cable gland. Second gland for through wiring on request. PMMA LED lens array. Factory installed LED circuit board. LED board can be removed for upgrading. Integral EC electronic converter, thermally separated.

Optional 2200 K version up to max. 1050mA available. To be specified at time of ordering.



**Projectors****Specifications****Material description**

---

|                      |   |
|----------------------|---|
| Body                 | Marine-grade, die-cast aluminium alloy  |
| Lens                 | Safety glass lens   |
| Colours              |  RAL9004 Signal black<br> RAL9006 White aluminium<br> RAL9007 Grey aluminium<br> RAL7016 Anthracite grey<br> RAL9016 Traffic white |
| Gasket               | Silicone CCG® Controlled Compression Gasket   |
| Fasteners            | PCS Polymer Coated Stainless Steel Hardware   |
| Ingress protection   | IP66  |
| Impact resistance    | IK07  |
| Corrosion resistance | 5CE   |
| Windage              | 0.114 m <sup>2</sup>  |

---

**Electrical description**

---

|                  |   |
|------------------|---|
| Power supply     | 220-240V / 50-60 Hz   |
| Driver / Ballast | Standard. Optional DALI version available. To be specified at time of ordering. |
| Power factor     | > 0.9   |
| Surge protection | 6/6 kV (optional SP10)  |

---

**Additional information**

---

|                         |                        |
|-------------------------|------------------------|
| Lifetime                | Ta=25° L70B50 > 50000h |
| Energy efficiency class | C-D (Light source)     |

---

# FLC230 LED [FP]

## Projectors

**we-ef**

### Options

#### Light distribution



symmetric Framing-Projector [FP] - min aperture angle



symmetric Framing-Projector [FP] - max aperture angle

#### Colour temperature



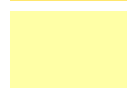
2200 K



2700 K



3000 K



4000 K

#### Nominal Watt



0 W

#### WE-EF LEUCHTEN GmbH

Töpinger Straße 16, 29646 Bispingen, Germany - Phone: +49 5194 909-0  
info@we-ef.com - <https://we-ef.com>

Subject to technical changes and errors. - Generated on 23/11/2024

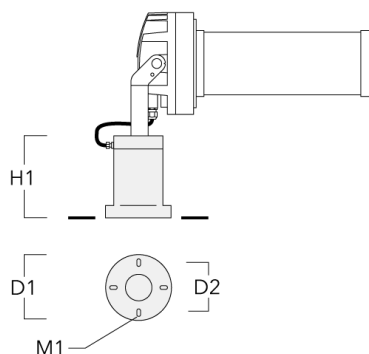
### Configurations

| Light distribution  | Part ID      | Light source                  | Rated lumens | Rated input power | CRI | Weight (kg) |
|---|--------------|-------------------------------|--------------|-------------------|-----|-------------|
| symmetric Framing-Projector [FP] -<br>max aperture angle<br>  | 139-2999_max | LED-FT-36W / 850 mA - 2200 K  | 2201.3       | 39 W              | 70  | 10.80       |
|   | 139-3000_max | LED-FT-48W / 1100 mA - 2200 K | 2810.5       | 53 W              | 70  | 10.80       |
|   | 139-3001_max | LED-FT-36W / 850 mA - 2700 K  | 2580.2       | 39 W              | 80  | 10.80       |
|   | 139-3002_max | LED-FT-48W / 1100 mA - 2700 K | 3294.3       | 53 W              | 80  | 10.80       |
|   | 139-3003_max | LED-FT-36W / 850 mA - 3000 K  | 2603.2       | 39 W              | 80  | 10.80       |
|   | 139-3004_max | LED-FT-48W / 1100 mA - 3000 K | 3325         | 53 W              | 80  | 10.80       |
|   | 139-3005_max | LED-FT-36W / 850 mA - 4000 K  | 2790.1       | 39 W              | 80  | 10.80       |
|   | 139-3005_min | LED-FT-36W / 850 mA - 4000 K  | 3120.7       | 39 W              | 80  | 10.80       |
|   | 139-3006_max | LED-FT-48W / 1100 mA - 4000 K | 3563.1       | 53 W              | 80  | 10.80       |
| symmetric Framing-Projector [FP] -<br>min aperture angle<br> | 139-2999_min | LED-FT-36W / 850 mA - 2200 K  | 2462.2       | 39 W              | 70  | 10.80       |
|   | 139-3000_min | LED-FT-48W / 1100 mA - 2200 K | 3143.6       | 53 W              | 70  | 10.80       |
|   | 139-3001_min | LED-FT-36W / 850 mA - 2700 K  | 2886         | 39 W              | 80  | 10.80       |
|   | 139-3002_min | LED-FT-48W / 1100 mA - 2700 K | 3684.7       | 53 W              | 80  | 10.80       |
|   | 139-3003_min | LED-FT-36W / 850 mA - 3000 K  | 2911.7       | 39 W              | 80  | 10.80       |
|   | 139-3004_min | LED-FT-48W / 1100 mA - 3000 K | 3719.1       | 53 W              | 80  | 10.80       |
|   | 139-3006_min | LED-FT-48W / 1100 mA - 4000 K | 3985.4       | 53 W              | 80  | 10.80       |

### Mounting Accessories

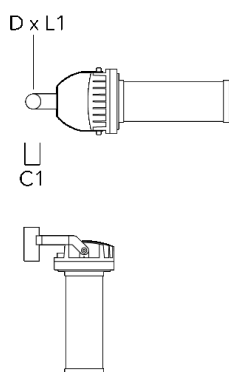
#### Short post EM

| Description | Part ID  | D1  | D2  | H1  | M1 | Weight (kg) |
|-------------|----------|-----|-----|-----|----|-------------|
| EM1-M16     | 270-9038 | 160 | 130 | 200 | 9  | 2           |



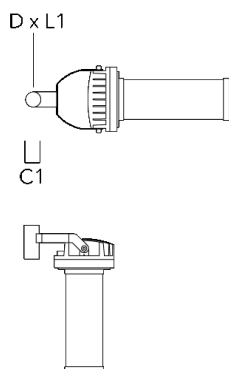
#### Floodlight mounting bracket TA

| Description                                | Part ID  | A | C1  | D x L1   | Weight (kg) | D x S    |
|--|----------|---|-----|----------|-------------|----------|
| TA1 Mounting bracket, single* (Ø 76 x 200) | 147-0023 |   | 130 | 76 x 200 | 1.90        | 76 x 200 |

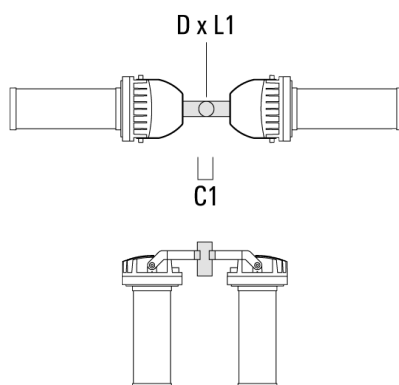


## Projectors

| Description                                | Part ID  | A | C1  | D × L1    | Weight (kg) | D × S     |
|--|----------|---|-----|-----------|-------------|-----------|
| TA1 Mounting bracket, single (Ø 108 x 200) | 147-0096 |   | 130 | 108 x 200 | 7.50        | 108 x 200 |

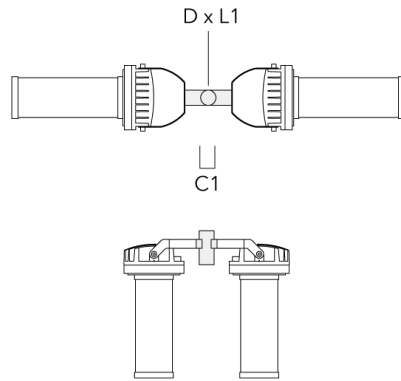


|  |          |  |     |          |      |          |
|--|----------|--|-----|----------|------|----------|
| TA2 Mounting bracket, double* (Ø 76 x 200) | 147-0024 |  | 130 | 76 x 200 | 1.90 | 76 x 200 |
|--|----------|--|-----|----------|------|----------|

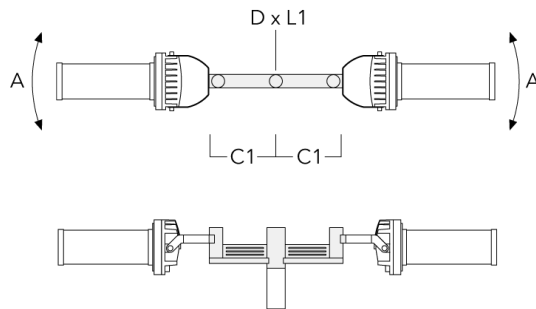


## Projectors

| Description                                | Part ID  | A | C1  | D × L1    | Weight (kg) | D × S     |
|--|----------|---|-----|-----------|-------------|-----------|
| TA2 Mounting bracket, double (Ø 108 x 200) | 147-0097 |   | 130 | 108 x 200 | 7.50        | 108 x 200 |

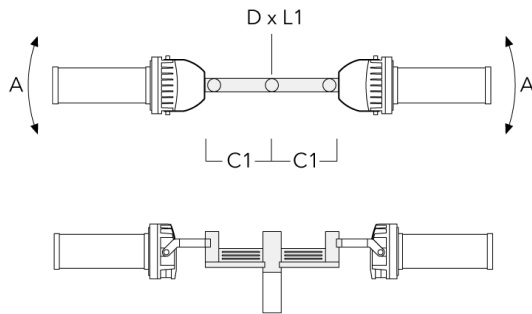


|  |          |      |     |           |       |           |
|--|----------|------|-----|-----------|-------|-----------|
| TA2-L Mounting bracket, double (Ø 108 x 200) | 147-0148 | ±90° | 420 | 108 x 200 | 20.20 | 108 x 200 |
|--|----------|------|-----|-----------|-------|-----------|

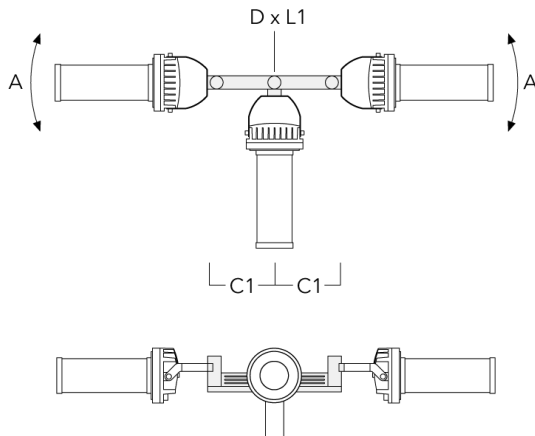


## Projectors

| Description                                 | Part ID  | A    | C1  | D x L1   | Weight (kg) | D x S    |
|---|----------|------|-----|----------|-------------|----------|
| TA2-L Mounting bracket, double (Ø 76 x 200) | 147-0105 | ±90° | 420 | 76 x 200 | 16.10       | 76 x 200 |



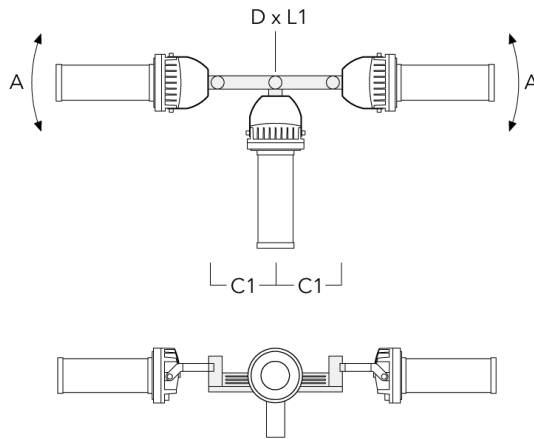
|   |          |      |     |          |       |          |
|---|----------|------|-----|----------|-------|----------|
| TA3 Mounting bracket, triple (Ø 89 x 200) | 147-0025 | ±90° | 650 | 89 x 200 | 17.90 | 89 x 200 |
|---|----------|------|-----|----------|-------|----------|



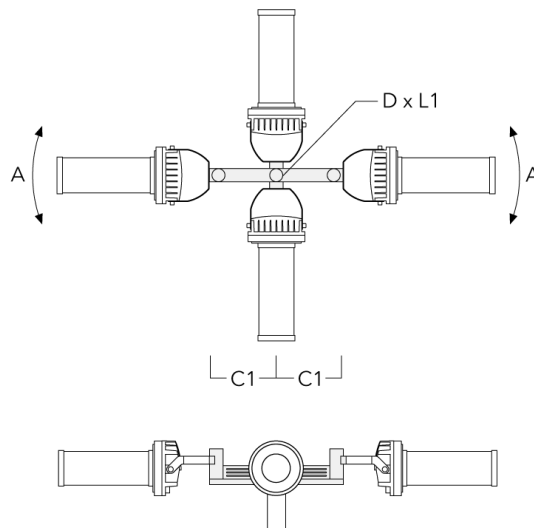


## Projectors

| Description                                | Part ID  | A    | C1  | D x L1    | Weight (kg) | D x S     |
|--|----------|------|-----|-----------|-------------|-----------|
| TA3 Mounting bracket, triple (Ø 108 x 200) | 147-0098 | ±90° | 650 | 108 x 200 | 24.20       | 108 x 200 |

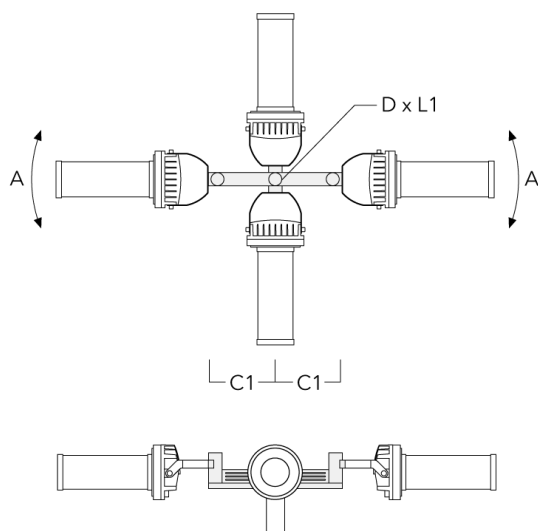


|   |          |      |     |          |       |          |
|---|----------|------|-----|----------|-------|----------|
| TA4 Mounting bracket, quad (Ø 89 x 200) | 147-0099 | ±90° | 650 | 89 x 200 | 20.80 | 89 x 200 |
|---|----------|------|-----|----------|-------|----------|



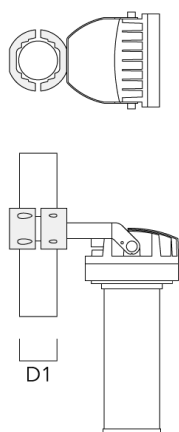
## Projectors

| Description                              | Part ID  | A    | C1  | D × L1    | Weight (kg) | D × S     |
|--|----------|------|-----|-----------|-------------|-----------|
| TA4 Mounting bracket, quad (Ø 108 x 200) | 147-0100 | ±90° | 650 | 108 x 200 | 24.20       | 108 x 200 |



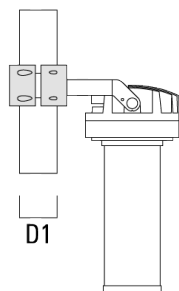
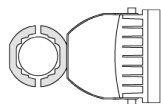
## Pole clamp TS

| Description                              | Part ID  | D1      | Weight (kg) | D       |
|--|----------|---------|-------------|---------|
| TS1-2/M12 Pole clamp, single (Ø 102-114) | 147-0526 | 102-114 | 1.50        | 102-114 |

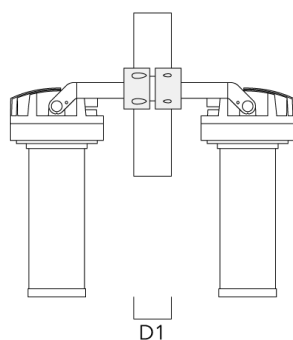
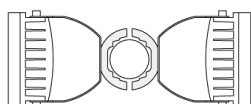


## Projectors

| Description                              | Part ID  | D1      | Weight (kg) | D       |
|--|----------|---------|-------------|---------|
| TS1-2/M12 Pole clamp, single (Ø 114-133) | 147-0544 | 114-133 | 1.70        | 114-133 |

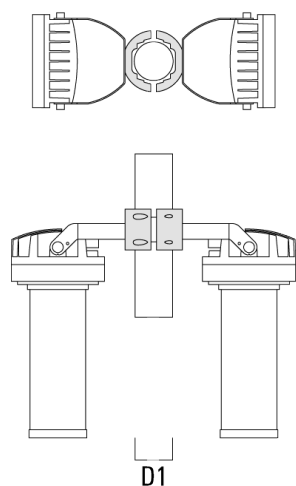


|  |          |         |      |         |
|--|----------|---------|------|---------|
| TS2-2/M12 Pole clamp, double (Ø 102-114) | 147-0527 | 102-114 | 1.50 | 102-114 |
|--|----------|---------|------|---------|

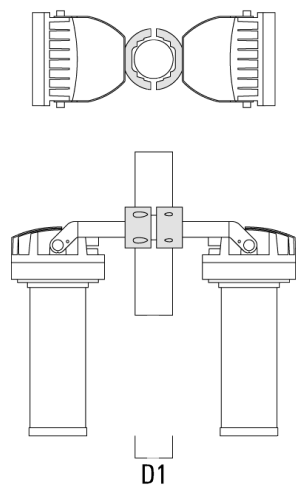


## Projectors

| Description                            | Part ID  | D1    | Weight (kg) | D     |
|--|----------|-------|-------------|-------|
| TS2-2/M12 Pole clamp, double (Ø 76-89) | 147-0545 | 76-89 | 1.40        | 76-89 |

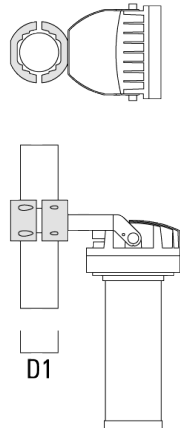


|  |          |         |      |         |
|--|----------|---------|------|---------|
| TS2-2/M12 Pole clamp, double (Ø 114-133) | 147-0546 | 114-133 | 1.60 | 114-133 |
|--|----------|---------|------|---------|



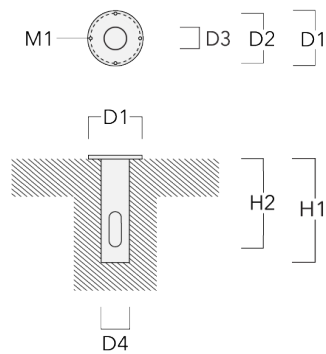
## Projectors

| Description                            | Part ID  | D1    | Weight (kg) | D     |
|--|----------|-------|-------------|-------|
| TS1-2/M12 Pole clamp, single (Ø 76-89) | 147-0543 | 76-89 | 1.40        | 76-89 |



## Planted root

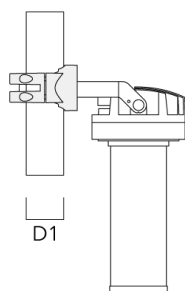
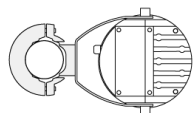
| Description       | Part ID  | D1  | D2  | D3 | D4 | H1  | H2  | M1 | Weight (kg) |
|-------------------|----------|-----|-----|----|----|-----|-----|----|-------------|
| Planted root ESV4 | 300-0461 | 145 | 130 | 60 | 89 | 400 | 350 | 8  | 3.83        |



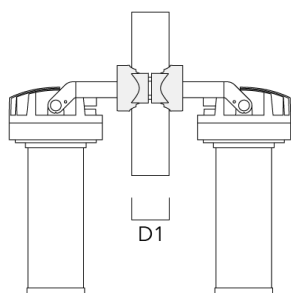
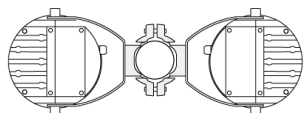
## Projectors

### Pole clamp PC

| Description                               | Part ID  | D1    | Weight (kg) |
|---|----------|-------|-------------|
| PC1 76-89/60 Pole clamp, single (Ø 76-89) | 139-2702 | 76-89 | 1.00        |

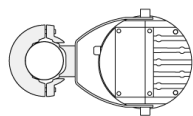


|   |          |       |      |
|---|----------|-------|------|
| PC2 76-89/60 Pole clamp, double (Ø 76-89) | 139-2703 | 76-89 | 1.00 |
|---|----------|-------|------|



## Projectors

| Description                                 | Part ID  | D1     | Weight (kg) |
|---|----------|--------|-------------|
| PC1 82-109/60 Pole clamp, single (Ø 82-109) | 139-2704 | 82-109 | 1.10        |

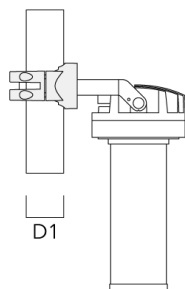
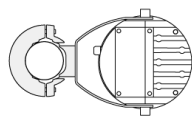


|   |          |        |      |
|---|----------|--------|------|
| PC2 82-109/60 Pole clamp, double (Ø 82-109) | 139-2705 | 82-109 | 1.10 |
|---|----------|--------|------|



## Projectors

| Description                                      | Part ID  | D1      | Weight (kg) |
|--|----------|---------|-------------|
| PC1 102-114/60 Pole clamp, single<br>(Ø 102-114) | 139-2706 | 102-114 | 1.20        |



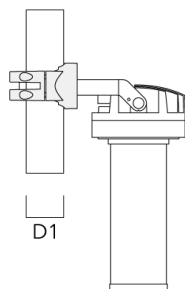
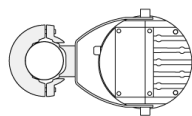
|  |          |         |      |
|--|----------|---------|------|
| PC2 102-114/60 Pole clamp, double<br>(Ø 102-114) | 139-2707 | 102-114 | 1.20 |
|--|----------|---------|------|



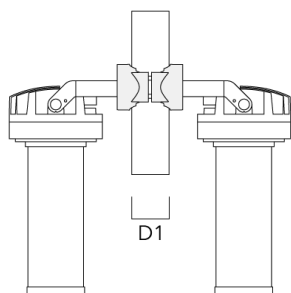
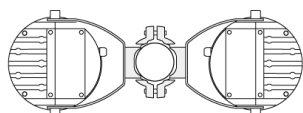


## Projectors

| Description                                      | Part ID  | D1      | Weight (kg) |
|--|----------|---------|-------------|
| PC1 114-133/60 Pole clamp, single<br>(Ø 114-133) | 139-2708 | 114-133 | 1.40        |



|  |          |         |      |
|--|----------|---------|------|
| PC2 114-133/60 Pole clamp, double<br>(Ø 114-133) | 139-2709 | 114-133 | 1.40 |
|--|----------|---------|------|



### Control

#### Eco Step Dim® Basic

| Description             | Part ID  |
|-------------------------|----------|
| Eco Step Dim® Basic LED | 430-0001 |

#### Eco Step Dim® Advanced

| Description                | Part ID  |
|----------------------------|----------|
| Eco Step Dim® Advanced LED | 430-0002 |

#### R2C Ready to Connect

| Description                | Part ID  |
|----------------------------|----------|
| R2C Ready to Connect (top) | 430-0019 |