

161-5869

FLB141 LED Surface mounted - Asymmetric

**we-ef**



#### Description

IP66, Class I. IK08. Marine-grade, die-cast aluminium alloy. 5CE superior corrosion protection including PCS hardware. Safety glass lens, hinged. Silicone CCG® Controlled Compression Gasket. Luminaire is factory-sealed and does not need to be opened during installation.

Integral EC electronic converter. Advanced thermal management protects LEDs while optimising lumens output. CAD-optimised optics for superior illumination and glare control. OLC® One LED Concept.

Weight	3.8 kg
Light distribution	rectangular, side throw [R65]
Light source	LED-6/26W / 1400 mA - 3000 K
CRI	80
Power supply	EC
LEDs	6
Rated input power	27 W

#### Nominal Lumen (lm)

LED Lumen	550
Total Lumen	3300
Tj	85

#### Rated lumens (lm)

LED Lumen	310.6
Total Lumen	1863.7
Ta	25

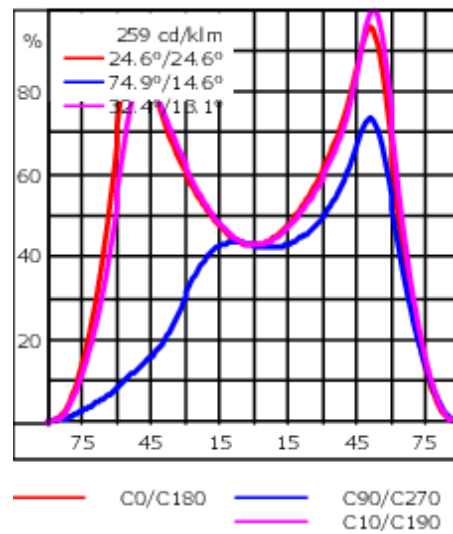
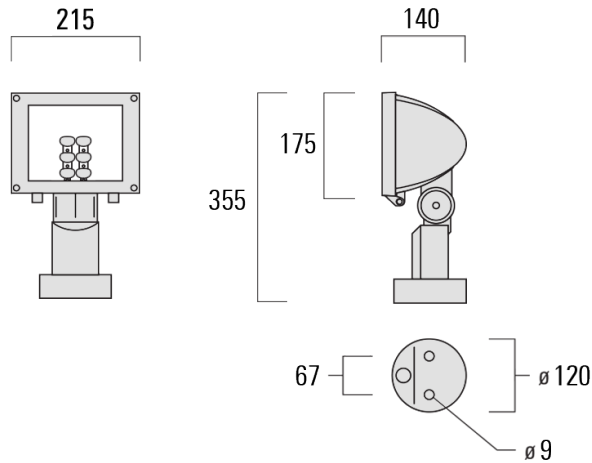
**WE-EF LIGHTING (Thailand) Co., Ltd.**

57 Moo 5, Kingkaew Rd., Bangplee, 10540 Samutprakarn - Phone: +66 2 738 96 20 - Fax: +66 2 738 96 29

<https://we-ef.com/asia>

Subject to technical changes and errors. - Generated on 06/10/2025

## FLB141 LED Surface mounted - Asymmetric



## Specifications

## Material description

Body	Marine-grade, die-cast aluminium alloy
Lens	Safety glass
Colours	<ul style="list-style-type: none"> <li><span style="display: inline-block; width: 15px; height: 15px; background-color: black; margin-right: 5px;"></span> RAL9004 Signal black</li> <li><span style="display: inline-block; width: 15px; height: 15px; background-color: grey; margin-right: 5px;"></span> RAL9007 Grey aluminium</li> <li><span style="display: inline-block; width: 15px; height: 15px; background-color: darkgrey; margin-right: 5px;"></span> RAL7016 Anthracite grey</li> <li><span style="display: inline-block; width: 15px; height: 15px; background-color: white; margin-right: 5px;"></span> RAL9016 Traffic white</li> </ul>
Gasket	Silicone CCG® Controlled Compression Gasket
Fasteners	PCS hardware
Ingress protection	IP66
Impact resistance	IK08
Corrosion resistance	5CE

## Electrical description

Driver / Ballast	Integral EC electronic converter in thermally-separated compartment
------------------	---

## Additional information

## WE-EF LIGHTING (Thailand) Co., Ltd.

57 Moo 5, Kingkaew Rd., Bangplee, 10540 Samutprakarn - Phone: +66 2 738 96 20 - Fax: +66 2 738 96 29

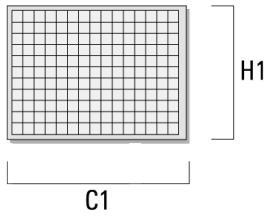
<https://we-ef.com/asia>

Subject to technical changes and errors. - Generated on 06/10/2025

**Optical Accessories**

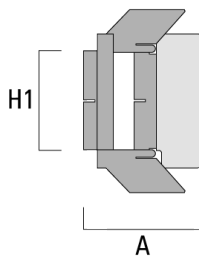
**Wire guard**

Description	Part ID	C1	H1
Wire guard EG	161-9118	181	153



**Barn doors**

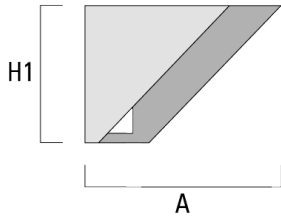
Description	Part ID	A	H1
Barn doors ED	161-9119	245	132



**FLB141 LED Surface mounted - Asymmetric**

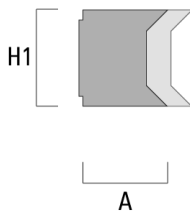
**Glare shield**

Description	Part ID	A	H1
Glare shield ES	161-9121	165	132



**Snoot**

Description	Part ID	A	H1
Snoot ET	161-9122	135	155



**161-5869**

**we-ef**

**FLB141 LED Surface mounted - Asymmetric**

## **Control**

### **1-10 V analogue dimming interface**

---

Description	Part ID	C
1-10 V analogue dimming interface	430-0011	90

---

**WE-EF LIGHTING (Thailand) Co., Ltd.**

57 Moo 5, Kingkaew Rd., Bangplee, 10540 Samutprakarn - Phone: +66 2 738 96 20 - Fax: +66 2 738 96 29

<https://we-ef.com/asia>

Subject to technical changes and errors. - Generated on 06/10/2025

**FLB141 LED Surface mounted - Asymmetric****DALI interface**

Description	Part ID	Additional information	C
DALI interface	430-0013	DALI variant. The luminaire is equipped with a DT6 Dali driver (Dali 2.0).	90

## Dali 2.0

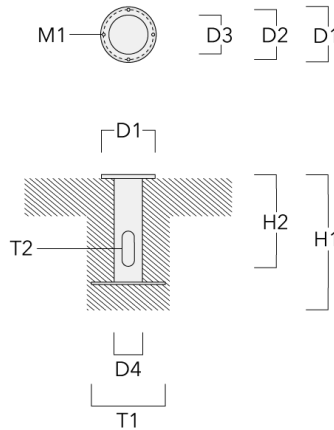
- Application controllers and Input devices defined
- Single-masters and multi-masters allowed
- Event priorities defined
- Separate addressing & grouping from control gear

Note: Mixing Dali 1 and Dali 2.0 drivers can cause problems because the addressing and the command scope has changed!

**Mounting Accessories**

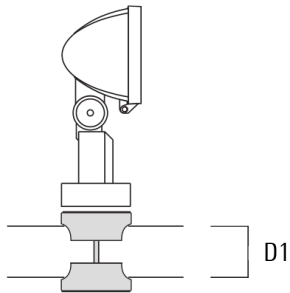
**Planted root**

Description	Part ID	D1	D2	D3	D4	H1	H2	M1	T1	T2	Weight (kg)
Planted root ESV4	300-0461-AP	150	130	60	89	400	350	8	200	50 x 100	3.85



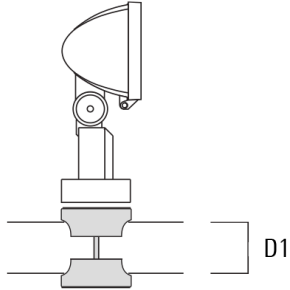
**Pole clamp**

Description	Part ID	D1	Weight (kg)	D
Pole clamp SP1-2/M8, single (Ø 38-60)	146-0245	38-60	1.10	38-66

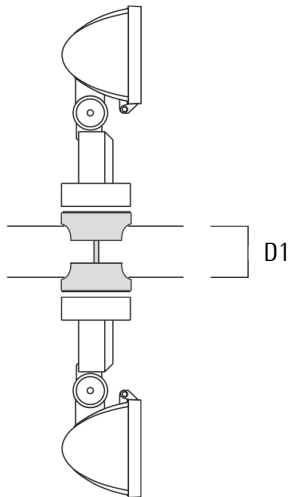


**FLB141 LED Surface mounted - Asymmetric**

Description	Part ID	D1	Weight (kg)	D
Pole clamp SP1-2/M8, single (Ø 76-89)	146-0246	76-89	1.10	76-89



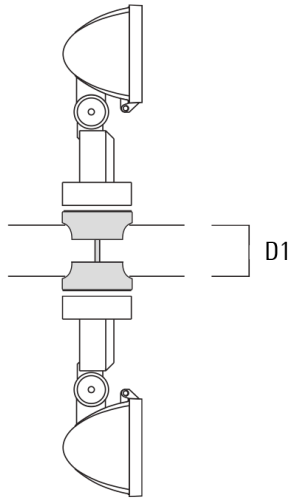
Pole clamp SP2-2/M8, double (Ø 38-60)	146-0247	38-60	1	38-60
---------------------------------------	----------	-------	---	-------





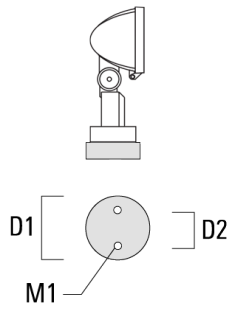
**FLB141 LED Surface mounted - Asymmetric**

Description	Part ID	D1	Weight (kg)	D
Pole clamp SP2-2/M8, double (Ø 76-89)	146-0248	76-89	1.20	76-89



**Junction box**

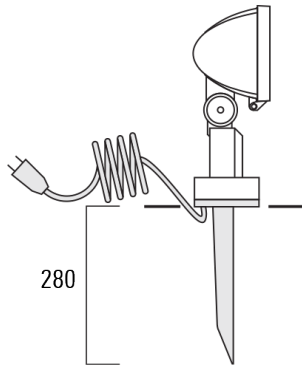
Description	Part ID	D1	D2	M1	Weight (kg)
Junction box JB1	310-9000	135	67	9	1.6



**FLB141 LED Surface mounted - Asymmetric**

**Ground spike**

Description	Part ID	Weight (kg)
Ground spike EF1-2/M8 for FLB141	146-0251	0.40



**Short post**

Description	Part ID	Weight (kg)
Short post EM1-2/M8 for FLB141	146-0253	1.70

