

115-1535

ZFT430-FT LED

**we-ef**



**Description**

Post top luminaire with shielded light source and canopy highlight feature.

IP66. Class I. IK09. Marine-grade, die-cast aluminum alloy. 5CE superior corrosion protection including PCS hardware. Silicone CCG® Controlled Compression Gasket. PMMA main lens. CAD-optimized indirect optics for superior illumination and glare control. Integral driver in thermally separated compartment. Factory-installed LED circuit board. 0-10V Dimming comes standard with luminaire. Luminaire is factory-sealed and does not need to be opened during installation.

Recommended mounting height 10-20 ft.

Specify product with 7 Digit product code - Finish Color. Accessories, such as mounting, optical, and electrical, must be specified separately.

Example: XXX-XXXX-9004 (Black)  
+ XXX-XXXX (Accessory 1)

|                    |                    |
|--------------------|--------------------|
| Weight             | 11.91 lbs lb       |
| Light distribution | [C50] Type V Short |
| Light source       | LED-FT-24W (3000K) |
| CRI                | 80                 |
| Power supply       | electronic gear    |
| LEDs               | 1                  |
| Rated input power  | 27 W               |

**Rated lumens (lm)**

|             |        |
|-------------|--------|
| LED Lumen   | 3495.5 |
| Total Lumen | 3495.5 |
| Ta          | 25     |

**Nominal Lumen (lm)**

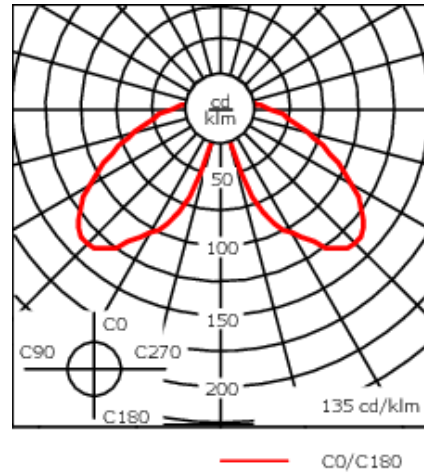
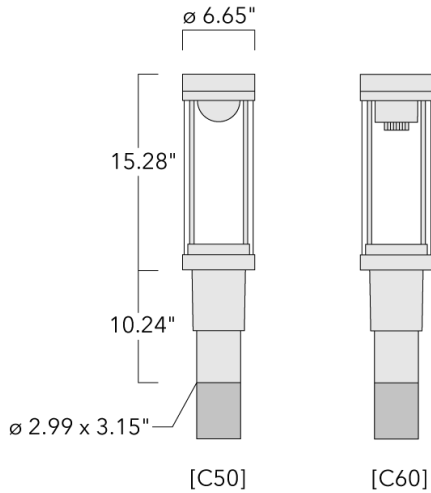
|             |      |
|-------------|------|
| LED Lumen   | 4220 |
| Total Lumen | 4220 |
| Tc          | 25   |

**WE-EF LIGHTING USA, LLC**

410-D Keystone Drive, 15086 Warrendale, PA 15086 - Phone: +1 724 742 0030

customersupport.usa@we-ef.com - <https://we-ef.com/us>

Subject to technical changes and errors. - Generated on 10/23/2024



**Specifications**

**Material description**

|                      |   |
|----------------------|---|
| Body                 | Marine-grade, die-cast aluminum alloy.  |
| Lens                 | Clear polycarbonate outer lens  |
| Colors               | <div style="display: flex; flex-direction: column; gap: 5px;"> <div style="display: flex; align-items: center;"> <div style="width: 20px; height: 10px; background-color: black; margin-right: 5px;"></div> <span>RAL9004 Black</span> </div> <div style="display: flex; align-items: center;"> <div style="width: 20px; height: 10px; background-color: grey; margin-right: 5px;"></div> <span>RAL9007 Grey Metallic</span> </div> <div style="display: flex; align-items: center;"> <div style="width: 20px; height: 10px; background-color: white; margin-right: 5px;"></div> <span>RAL9016 White</span> </div> <div style="display: flex; align-items: center;"> <div style="width: 20px; height: 10px; background-color: darkgrey; margin-right: 5px;"></div> <span>RAL8019 Dark Bronze</span> </div> </div> |
| Gasket               | Silicone rubber gasket  |
| Fasteners            | PCS polymer coated stainless steel hardware   |
| Ingress protection   | IP66  |
| Impact resistance    | IK09  |
| Corrosion resistance | 5CE   |
| Windage              | 0.104 m <sup>2</sup>  |

**115-1535**

**we-ef**

**ZFT430-FT LED**

**Electrical description**

---

|                  |  |
|------------------|--|
| Power supply     | Integral [ECG] LED driver in 120V-277V |
| Driver / Ballast | Integral EC electronic converter       |
| Power factor     | > 0.9                                  |
| Surge protection | In-line bracket 10kV Surge Protector   |

---

**Additional information**

---

|            |   |
|------------|---|
| Lifetime   | Ta=25°/40° L70B50 > 50000h  |
| BUG Rating | Please see individual Spec Sheets for classification of Backlight, Uplight and Glare. |
| Listings   | ETL, UL-1598, CSA-C22.2#250.0. Suitable for Wet Locations.                            |

---

**WE-EF LIGHTING USA, LLC**

410-D Keystone Drive, 15086 Warrendale, PA 15086 - Phone: +1 724 742 0030

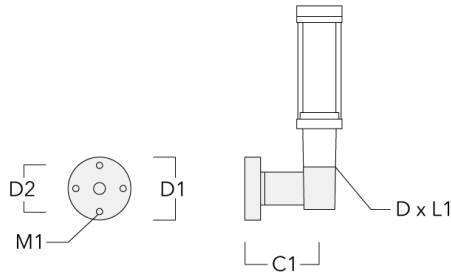
customersupport.usa@we-ef.com - <https://we-ef.com/us>

Subject to technical changes and errors. - Generated on 10/23/2024

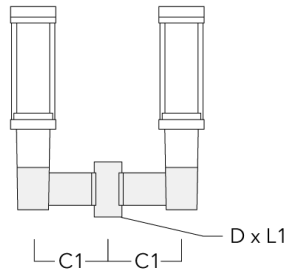
**Mounting Accessories**

**Wall and pole brackets RZ**

| Description                  | Part ID  | C1     | D1   | D2    | D x L1  | M1    | Weight (lb) |
|------------------------------|----------|--------|------|-------|---------|-------|-------------|
| RZ0-400 Wall bracket, single | 115-1324 | 10.90" | 9.1" | 7.67" | 3" x 3" | 0.47" | 7.72 lbs    |



|                              |          |        |  |  |         |  |          |
|------------------------------|----------|--------|--|--|---------|--|----------|
| RZ2-400 Pole bracket, double | 115-1323 | 10.16" |  |  | 3" x 3" |  | 10.8 lbs |
|------------------------------|----------|--------|--|--|---------|--|----------|



**115-1535**

**ZFT430-FT LED**

**WE-EF LIGHTING USA, LLC**

410-D Keystone Drive, 15086 Warrendale, PA 15086

Phone: +1 724 742 0030

[customersupport.usa@we-ef.com](mailto:customersupport.usa@we-ef.com)

<https://we-ef.com/us>

Subject to technical changes and errors.

Generated on 10/23/2024

**we-ef**

---

A Fagerhult Group Company