

131-9677

PLS430 LED

**we-ef**



### Description

IP66. Class I. Class II on request. IK08. Marine-grade, die-cast aluminium alloy. 5CE superior corrosion protection including PCS hardware. Safety glass lens. Silicone CCG® Controlled Compression Gasket. Luminaire is factory-sealed and does not need to be opened during installation. Integral EC electronic converter. Advanced thermal management protects LEDs while optimising lumens output. CAD-optimised optics for superior illumination and glare control. Optional 2200 K version up to max. 1050mA available. To be specified at time of ordering.

Luminaire can be mounted for up or down lighting.

Weight	5.20 kg
Light distribution	symmetric, narrow beam [E]
Light source	LED-12/24W / 700 mA - 3000 K
CRI	80
Power supply	EC
BUG	B2 U0 G0
LEDs	12
Rated input power	27 W

### Nominal Lumen (lm)

LED Lumen	290
Total Lumen	3480
Tj	85

### Rated lumens (lm)

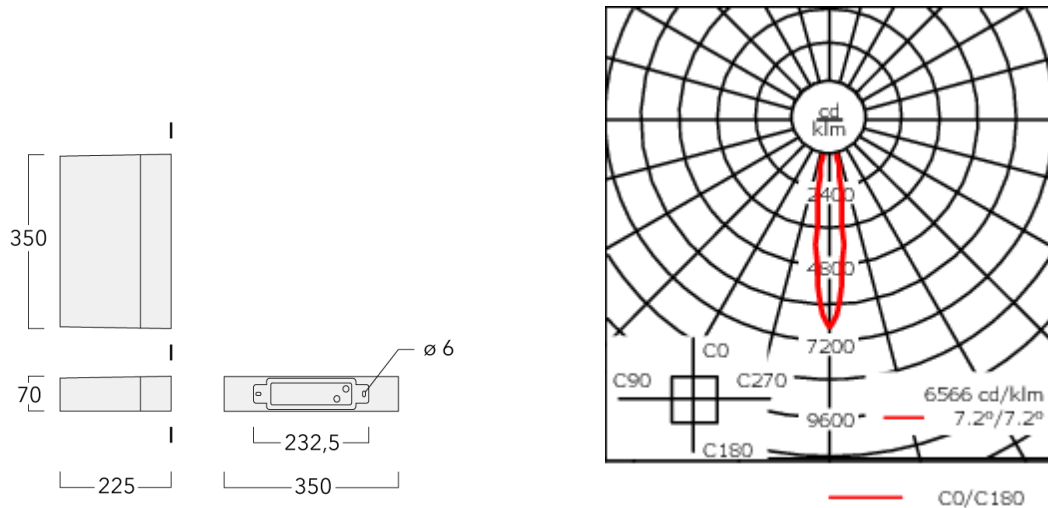
LED Lumen	219
Total Lumen	2627.6
Ta	25

### Fagerhult Lighting Ltd

33-34 Dolben Street, SE1 0UQ London, United Kingdom

<https://we-ef.com/uk>

Subject to technical changes and errors. - Generated on 23/11/2024



## Specifications

### Material description

Body	Marine-grade, die-cast aluminium alloy										
Lens	Safety glass lens										
Colours	<table><tr><td>■</td><td>RAL9004 Signal black</td></tr><tr><td>■</td><td>RAL9006 White aluminium</td></tr><tr><td>■</td><td>RAL9007 Grey aluminium</td></tr><tr><td>■</td><td>RAL7016 Anthracite grey</td></tr><tr><td>■</td><td>RAL9016 Traffic white</td></tr></table>	■	RAL9004 Signal black	■	RAL9006 White aluminium	■	RAL9007 Grey aluminium	■	RAL7016 Anthracite grey	■	RAL9016 Traffic white
■	RAL9004 Signal black										
■	RAL9006 White aluminium										
■	RAL9007 Grey aluminium										
■	RAL7016 Anthracite grey										
■	RAL9016 Traffic white										
Gasket	Silicone CCG® Controlled Compression Gasket										
Fasteners	PCS Polymer Coated Stainless Steel Hardware										
Ingress protection	IP66										
Impact resistance	IK08										
Corrosion resistance	5CE										

### Electrical description

Power supply	220-240V / 50-60 Hz
Driver / Ballast	Standard. Optional DALI version available. To be specified at time of ordering.
Power factor	> 0.9
Surge protection	1/2 kV

#### Fagerhult Lighting Ltd

33-34 Dolben Street, SE1 0UQ London, United Kingdom

<https://we-ef.com/uk>

Subject to technical changes and errors. - Generated on 23/11/2024

**131-9677**

**PLS430 LED**

**we-ef**

**Additional information**

---

Lifetime Ta=25° L90B10 > 90000h

Energy efficiency class C-D (Light source)

---

## Optical Accessories

### Honeycomb louvre

Description	Part ID	C1	H1
IW-PLS430	131-9684	308	71



### Light shield

Description	Part ID	Additional information
LS180-[A60]	430-0038	Light shield LS180 to greatly reduce or eliminate light pollution. PA injection moulded component, black matt. Suitable for asymmetric light distribution [A60].
LS180	430-0029	Glare Shield for backlight spill. Glare Shield factory-installed or available as retrofit kit. Suitable for [S60], [S65], [S70], [R65], [P65] lenses. Must be specified at time of ordering.

## Control

### DALI interface

---

Description	Part ID	Additional information	C
DALI interface	430-0013	DALI variant. The luminaire is equipped with a DT6 Dali driver (Dali 2.0).	90

---

Dali 2.0

- Application controllers and Input devices defined
- Single-masters and multi-masters allowed
- Event priorities defined
- Separate addressing & grouping from control gear

Note: Mixing Dali 1 and Dali 2.0 drivers can cause problems because the addressing and the command scope has changed!