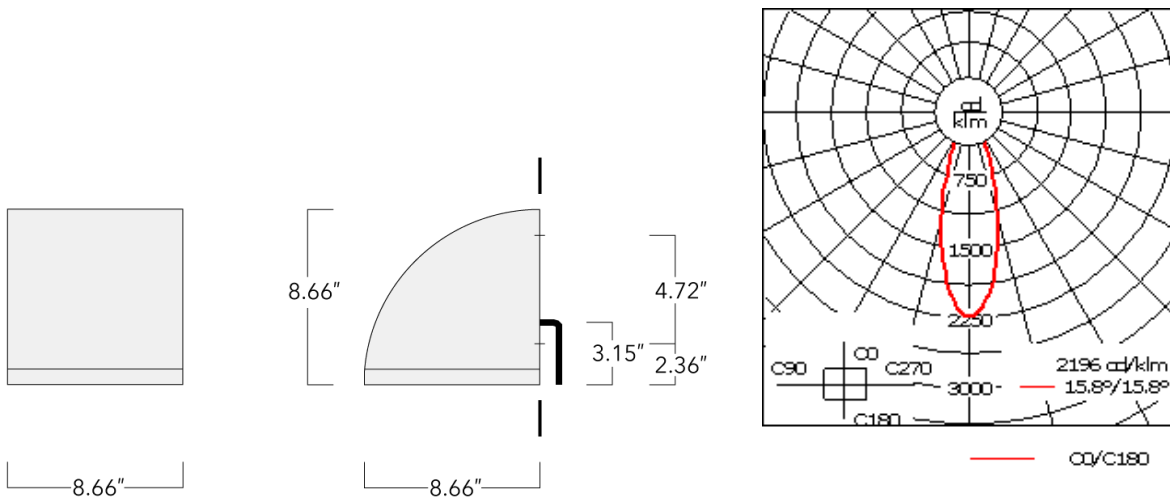




Description

IP65. Surface mounted wallwasher. Suitable for installation over 4" recessed junction box in uplight or downlight position. Optional 2200 K version available. To be specified at time of ordering.

| | |
|------------------------------|------------------------------|
| Weight | 14.60 lb |
| Light distribution | symmetric, medium beam [M] |
| Light source | LED-12/12W / 350 mA - 2700 K |
| CRI | 80 |
| Power supply | electronic gear |
| LEDs | 12 |
| Rated input power | 13.9 W |
| Nominal Lumen (lm) | |
| LED Lumen | 145 |
| Total Lumen | 1740 |
| T _j | 85 |
| Delivered lumens (lm) | |
| LED Lumen | 124.9 |
| Total Lumen | 1499.3 |
| T _a | 25 |



Specifications

Material description

| | |
|----------------------|---|
| Body | Luminaire body and lens frame constructed in die cast aluminum. |
| Lens | Tempered glass lens. |
| Colors | <div style="display: flex; flex-direction: column; gap: 5px;"> <div style="display: flex; align-items: center;"> <div style="width: 20px; height: 15px; background-color: black; margin-right: 5px;"></div> RAL9004 Black </div> <div style="display: flex; align-items: center;"> <div style="width: 20px; height: 15px; background-color: grey; margin-right: 5px;"></div> RAL9007 Grey Metallic </div> <div style="display: flex; align-items: center;"> <div style="width: 20px; height: 15px; background-color: white; margin-right: 5px;"></div> RAL9016 White </div> <div style="display: flex; align-items: center;"> <div style="width: 20px; height: 15px; background-color: darkgrey; margin-right: 5px;"></div> RAL8019 Dark Bronze </div> </div> |
| Gasket | Silicone rubber gasket |
| Fasteners | PCS polymer coated stainless steel |
| Ingress protection | IP65 |
| Impact resistance | IK07 |
| Corrosion resistance | 5CE |

Electrical description

| | |
|------------------|---|
| Power supply | Integral [ECG] electronic driver 120V-277V. 0-10V dimmable, to be specified with order. |
| Driver / Ballast | Integral EC electronic converter |

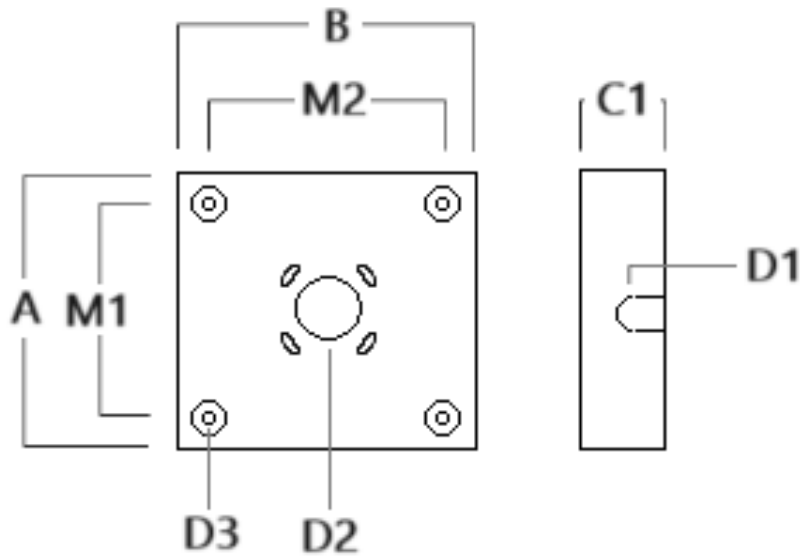
Additional information

| | |
|------------|---|
| Lifetime | Ta=25°/40° L90B10 > 90000h |
| BUG Rating | Please see individual Spec Sheets for classification of Backlight, Uplight and Glare. |
| Listings | ETL listed. Suitable for wet locations. |

Mounting Accessories

Surface Collar

| Description | Part ID | A | B | C1 | D1 | D2 | Weight (lb) |
|-----------------------|----------|------|------|------|----|----|-------------|
| OLV33_ Surface Collar | 132-6001 | 8.69 | 8.63 | 1.75 | ∅1 | ∅2 | 1.12 |



Electrical Accessories

Emergency Lighting Package

| Description | Part ID | Additional information |
|---------------------------------------|----------|---|
| OLV33_ LED Emergency Lighting Package | 132-6900 | Emergency battery backup operating for a minimum of 90 minutes, at full power, when main power is lost. |
