

131-0189

QLS420 LED

we-ef



Description

IP66, Class I. IK07. Surface mounted LED wall luminaire. Marine-grade, die-cast aluminum alloy. 5CE superior corrosion protection including PCS hardware. Silicone CCG® Controlled Compression Gasket. Safety glass lens. Integral driver. CAD-optimized optics for superior illumination and glare control. OLC® One LED Concept. Factory installed LED circuit board. 0-10V Dimming on request. Suitable for installation over 4" recessed junction box. Optional 2200 K version up to max. 1050mA available. To be specified at time of ordering.

ADA (American Disabilities Act) Compliant.

For DarkSky compliant configurations of this product, please find the spec sheet and DarkSky certificate in the library.

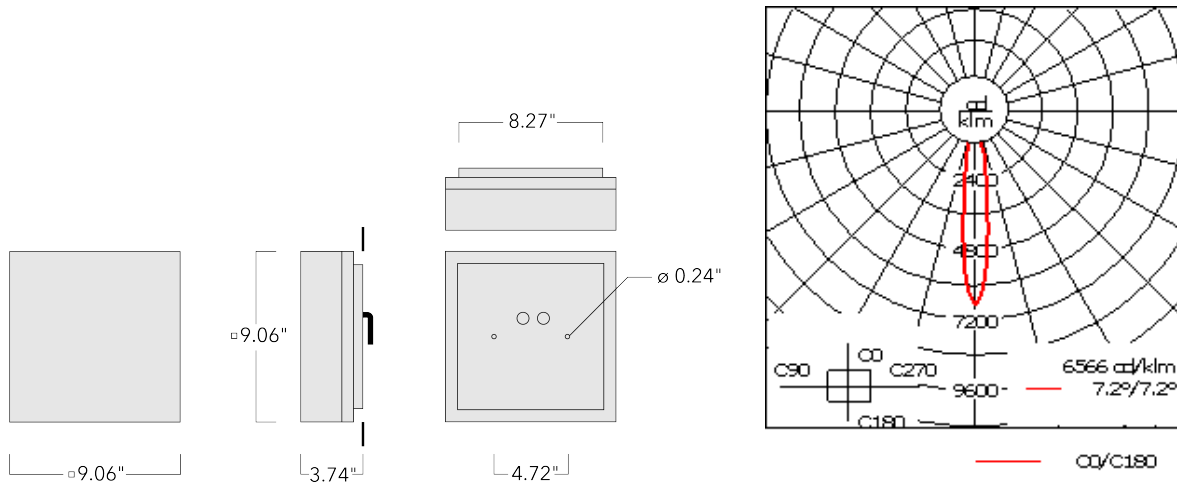
| | |
|---------------------------|------------------------------|
| Weight | 6.80 lb |
| Light distribution | symmetric, narrow beam [N] |
| Light source | LED-6/18W / 1050 mA - 4000 K |
| CRI | 80 |
| Power supply | electronic gear |
| BUG | B2 U0 G0 |
| LEDs | 6 |
| Rated input power | 21 W |
| Nominal Lumen (lm) | |
| LED Lumen | 450 |
| Total Lumen | 2700 |
| Tj | 85 |
| Rated lumens (lm) | |
| LED Lumen | 339.8 |
| Total Lumen | 2038.6 |
| Ta | 25 |

WE-EF LIGHTING USA, LLC

410-D Keystone Drive, 15086 Warrendale, PA 15086 - Phone: +1 724 742 0030

customersupport.usa@we-ef.com - <https://we-ef.com/us>

Subject to technical changes and errors. - Generated on 10/23/2024



Specifications

Material description

| | |
|----------------------|--|
| Body | Luminaire body and lens frame constructed in die cast aluminum. |
| Lens | Clear tempered glass lens. |
| Colors | <ul style="list-style-type: none"> RAL9004 Black RAL9007 Grey Metallic RAL9016 White RAL8019 Dark Bronze |
| Gasket | Silicone CCG® Controlled Compression Gasket |
| Fasteners | PCS polymer coated stainless steel |
| Ingress protection | IP66 |
| Impact resistance | IK07 |
| Corrosion resistance | 5CE |

Electrical description

| | |
|------------------|---|
| Power supply | Integral [ECG] electronic driver 120V-277V. 0-10V dimmable, to be specified with order. |
| Driver / Ballast | Integral EC electronic converter |

WE-EF LIGHTING USA, LLC

410-D Keystone Drive, 15086 Warrendale, PA 15086 - Phone: +1 724 742 0030
 customersupport.usa@we-ef.com - <https://we-ef.com/us>
 Subject to technical changes and errors. - Generated on 10/23/2024

131-0189

QLS420 LED

we-ef

Additional information

| | |
|------------|---|
| Lifetime | Ta=25°/40° L90B10 > 90000h |
| BUG Rating | Please see individual Spec Sheets for classification of Backlight, Uplight and Glare. |
| Listings | ETL listed. Suitable for wet locations. |

WE-EF LIGHTING USA, LLC

410-D Keystone Drive, 15086 Warrendale, PA 15086 - Phone: +1 724 742 0030

customersupport.usa@we-ef.com - <https://we-ef.com/us>

Subject to technical changes and errors. - Generated on 10/23/2024

131-0189

QLS420 LED

we-ef

Electrical Accessories

Emergency Lighting Package

| Description | Part ID | Additional information |
|---|----------|---|
| _LS420/430 LED Emergency Lighting Package | 131-6900 | Emergency battery backup operating for a minimum 90 minutes when power is lost. |

WE-EF LIGHTING USA, LLC

410-D Keystone Drive, 15086 Warrendale, PA 15086 - Phone: +1 724 742 0030

customersupport.usa@we-ef.com - <https://we-ef.com/us>

Subject to technical changes and errors. - Generated on 10/23/2024

131-0189

QLS420 LED

we-ef

Mounting Accessories

Surface Collar

| Description | Part ID | A | B | C1 | D1 | D2 | D3 | M1 | M2 |
|-----------------------|----------|------|------|------|----|----|-------|------|------|
| QLS420 Surface Collar | 131-6001 | 9.08 | 9.08 | 1.75 | ∅1 | ∅2 | ∅0.38 | 7.58 | 7.58 |

WE-EF LIGHTING USA, LLC

410-D Keystone Drive, 15086 Warrendale, PA 15086 - Phone: +1 724 742 0030

customersupport.usa@we-ef.com - <https://we-ef.com/us>

Subject to technical changes and errors. - Generated on 10/23/2024

131-0189

QLS420 LED

WE-EF LIGHTING USA, LLC

410-D Keystone Drive, 15086 Warrendale, PA 15086

Phone: +1 724 742 0030

customersupport.usa@we-ef.com

<https://we-ef.com/us>

Subject to technical changes and errors.

Generated on 10/23/2024

we-ef

A Fagerhult Group Company