



Description

IP66. Class I. IK07. Marine-grade, die-cast aluminum alloy. 5CE superior corrosion protection including PCS hardware. Silicone CCG® Controlled Compression Gasket. Safety glass lens. Two cable entries. CAD-optimized optics for superior illumination and glare control. Integral driver. OLC® One LED Concept. Factory-installed LED circuit board. 0-10V Dimming comes standard with luminaire.

Specify product with 7 Digit product code - Finish Color. Accessories, such as mounting, optical, and electrical, must be specified separately.

Example: XXX-XXXX-9004 (Black)
+ XXX-XXXX (Accessory 1)

For DarkSky compliant configurations of this product, please find the spec sheet and DarkSky certificate in the library.

| | |
|---------------------------|------------------------------|
| Weight | 10.80 lb |
| Light distribution | symmetric, narrow beam [N] |
| Light source | LED-6/18W / 1050 mA - 3000 K |
| CRI | 80 |
| Power supply | electronic gear |
| BUG | B2 U0 G0 |
| LEDs | 6 |
| Rated input power | 21 W |
| Nominal Lumen (lm) | |
| LED Lumen | 430 |
| Total Lumen | 2580 |
| Tj | 85 |
| Rated lumens (lm) | |
| LED Lumen | 324.7 |
| Total Lumen | 1948 |
| Ta | 25 |

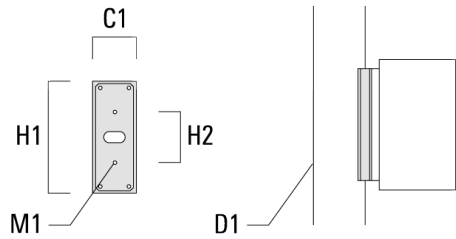
WE-EF LIGHTING USA, LLC

410-D Keystone Drive, 15086 Warrendale, PA 15086 - Phone: +1 724 742 0030
customersupport.usa@we-ef.com - <https://we-ef.com/us>
Subject to technical changes and errors. - Generated on 11/23/2024

Mounting Accessories

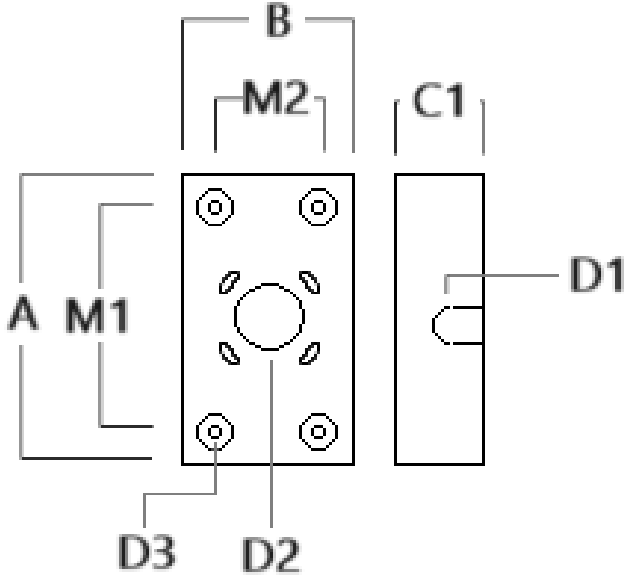
Column fitter

| Description | Part ID | C1 | D1 | H1 | H2 | M1 | Weight (lb) |
|-------------|----------|------|--------|------|------|------|-------------|
| CF-410/420 | 131-9140 | 3.27 | ≥ 5.51 | 8.66 | 3.94 | 0.24 | 1.32 |



Surface Collar

| Description | Part ID | A | B | C1 | D1 | D2 | D3 | M1 | M2 |
|------------------------|----------|------|------|------|----|------|-------|----|----|
| VLS/SLS Surface Collar | 131-6004 | 8.66 | 3.66 | 1.75 | ∅1 | ∅1.5 | ∅0.38 | 6 | 2 |



131-0212



VLS420 LED

Electrical Accessories

Emergency Lighting Package

| Description | Part ID | Additional information |
|---|----------|---|
| _LS420/430 LED Emergency Lighting Package | 131-6900 | Emergency battery backup operating for a minimum 90 minutes when power is lost. |

WE-EF LIGHTING USA, LLC

410-D Keystone Drive, 15086 Warrendale, PA 15086 - Phone: +1 724 742 0030
customersupport.usa@we-ef.com - <https://we-ef.com/us>
Subject to technical changes and errors. - Generated on 11/23/2024