

131-9612

RLS420 LED

we-ef



Description

IP66. Class I. Class II on request. IK08. Marine-grade, die-cast aluminium alloy. 5CE superior corrosion protection including PCS hardware. Safety glass lens. Silicone CCG® Controlled Compression Gasket. Luminaire is factory-sealed and does not need to be opened during installation. Optional 2200 K version up to max. 1050mA available. To be specified at time of ordering.

Integral EC electronic converter. Advanced thermal management protects LEDs while optimising lumens output. CAD-optimised optics for superior illumination and glare control. OLC® One LED Concept.

Luminaire can be mounted for up or down lighting.

| | |
|--------------------|-------------------------------|
| Weight | 2.60 kg |
| Light distribution | rectangular, side throw [R45] |
| Light source | LED-6/26W / 1400 mA - 2700 K |
| CRI | 80 |
| Power supply | EC |
| BUG | B1 U0 G0 |
| LEDs | 6 |
| Rated input power | 29 W |

Nominal Lumen (lm)

| | |
|-------------|------|
| LED Lumen | 520 |
| Total Lumen | 3120 |
| Tj | 85 |

Rated lumens (lm)

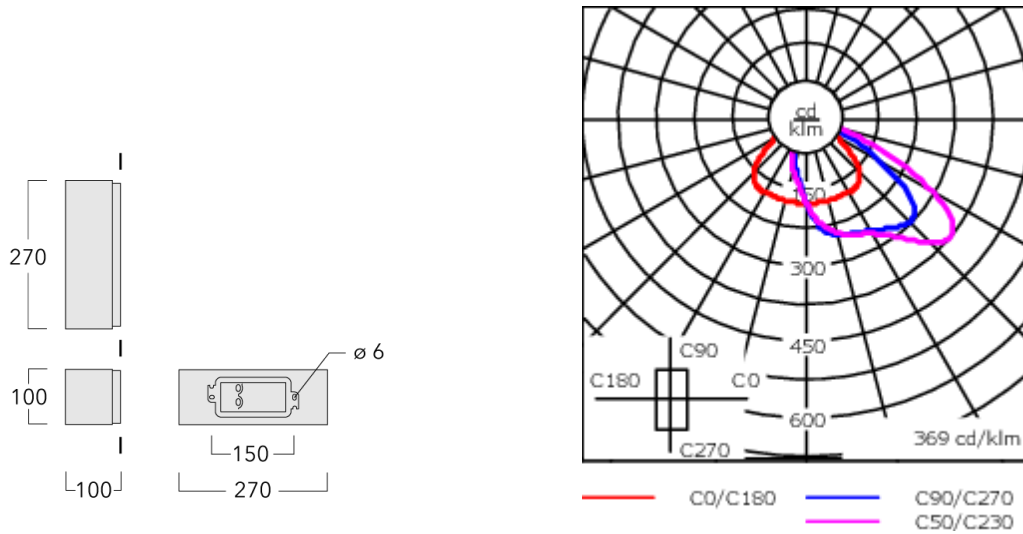
| | |
|-------------|--------|
| LED Lumen | 310.4 |
| Total Lumen | 1862.6 |
| Ta | 25 |

Fagerhult Lighting Ltd

33-34 Dolben Street, SE1 0UQ London, United Kingdom

<https://we-ef.com/uk>

Subject to technical changes and errors. - Generated on 23/11/2024



Specifications

Material description

| | |
|----------------------|---|
| Body | Marine-grade, die-cast aluminium alloy |
| Lens | Safety glass lens |
| Colours | <ul style="list-style-type: none"> RAL9004 Signal black RAL9006 White aluminium RAL9007 Grey aluminium RAL7016 Anthracite grey RAL9016 Traffic white |
| Gasket | Silicone CCG® Controlled Compression Gasket |
| Fasteners | PCS Polymer Coated Stainless Steel Hardware |
| Ingress protection | IP66 |
| Impact resistance | IK08 |
| Corrosion resistance | 5CE |

Electrical description

| | |
|------------------|---|
| Power supply | 220-240V / 50-60 Hz |
| Driver / Ballast | Standard. Optional DALI version available. To be specified at time of ordering. |
| Power factor | > 0.9 |
| Surge protection | 1/2 kV |

Additional information

| | |
|----------|------------------------|
| Lifetime | Ta=25° L90B10 > 90000h |
|----------|------------------------|

Fagerhult Lighting Ltd

33-34 Dolben Street, SE1 0UQ London, United Kingdom

<https://we-ef.com/uk>

Subject to technical changes and errors. - Generated on 23/11/2024

131-9612

RLS420 LED

we-ef

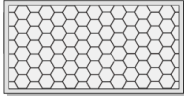
Optical Accessories

Colour correction filter

| Description | Part ID |
|------------------|----------|
| IF-3000K > 2400K | 131-9707 |

Honeycomb louvre

| Description | Part ID |
|-------------|----------|
| IW-RLS420 | 131-9706 |



Control

DALI interface

| Description | Part ID | Additional information | C |
|----------------|----------|--|----|
| DALI interface | 430-0013 | DALI variant. The luminaire is equipped with a DT6 Dali driver (Dali 2.0). | 90 |

Dali 2.0

- Application controllers and Input devices defined
- Single-masters and multi-masters allowed
- Event priorities defined
- Separate addressing & grouping from control gear

Note: Mixing Dali 1 and Dali 2.0 drivers can cause problems because the addressing and the command scope has changed!