

115-1566

LTM440 LED-FT

**we-ef**



**Description**

IP66. Class I. IK10. Marine-grade, die-cast aluminum alloy. 5CE superior corrosion protection including PCS hardware. Silicone CCG® Controlled Compression Gasket. Polycarbonate outer lens. Service door with fused cable connecting box. CAD-optimized indirect optics for superior illumination and glare control. 0-10V Dimming comes standard with luminaire.

Specify product with 7 Digit product code - Finish Color. Accessories, such as mounting, optical, and electrical, must be specified separately.

Example: XXX-XXXX-9004 (Black)  
+ XXX-XXXX (Accessory 1)

|                    |                    |
|--------------------|--------------------|
| Weight             | 55.10 lb           |
| Light distribution | [C50] Type V Short |
| Light source       | LED-FT-37W (4000K) |
| CRI                | 80                 |
| Power supply       | electronic gear    |
| LEDs               | 1                  |
| Rated input power  | 42 W               |

|                          |        |
|--------------------------|--------|
| <b>Rated lumens (lm)</b> |        |
| LED Lumen                | 5469.5 |
| Total Lumen              | 5469.5 |
| Ta                       | 25     |

|                           |      |
|---------------------------|------|
| <b>Nominal Lumen (lm)</b> |      |
| LED Lumen                 | 6695 |
| Total Lumen               | 6695 |
| Tc                        | 25   |

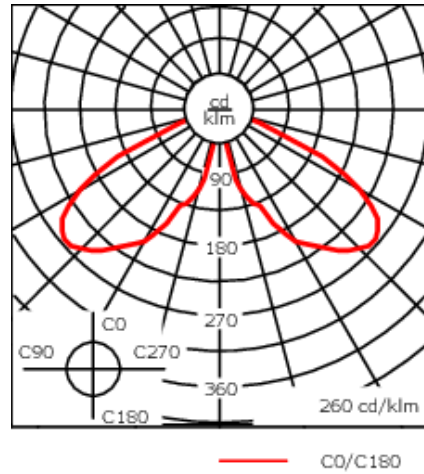
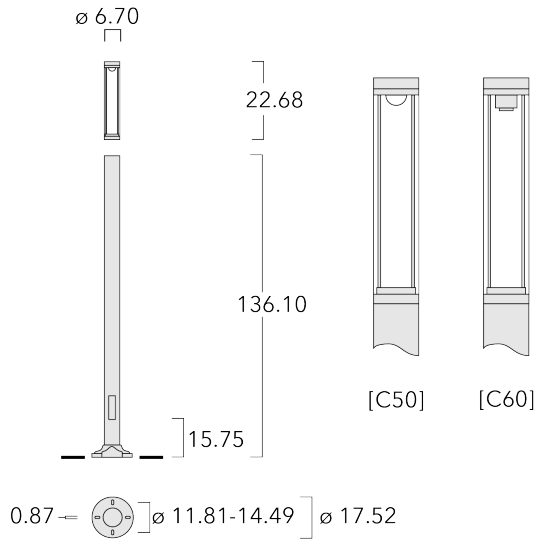
**WE-EF LIGHTING USA, LLC**

410-D Keystone Drive, 15086 Warrendale, PA 15086 - Phone: +1 724 742 0030  
customersupport.usa@we-ef.com - <https://we-ef.com/us>  
Subject to technical changes and errors. - Generated on 11/23/2024

115-1566

**we-ef**

LTM440 LED-FT



## Specifications

### Material description

|                      |   |
|----------------------|---|
| Body                 | Luminaire head, base plate and base plate cover constructed in die cast aluminum  |
| Lens                 | Clear polycarbonate lens.   |
| Colors               | <div style="display: flex; flex-direction: column; gap: 5px;"> <div><span style="display: inline-block; width: 15px; height: 15px; background-color: black; margin-right: 5px;"></span> RAL9004 Black</div> <div><span style="display: inline-block; width: 15px; height: 15px; background-color: grey; margin-right: 5px;"></span> RAL9007 Grey Metallic</div> <div><span style="display: inline-block; width: 15px; height: 15px; background-color: white; margin-right: 5px;"></span> RAL9016 White</div> <div><span style="display: inline-block; width: 15px; height: 15px; background-color: darkgrey; margin-right: 5px;"></span> RAL8019 Dark Bronze</div> </div> |
| Gasket               | Silicone rubber gasket  |
| Fasteners            | PCS Polymer Coated Stainless Steel hardware   |
| Ingress protection   | IP66  |
| Impact resistance    | IK10  |
| Corrosion resistance | 5CE   |

### Electrical description

|                  |                                       |
|------------------|---------------------------------------|
| Power supply     | Integral [ECG] LED driver in 120-277V |
| Driver / Ballast | Integral EC electronic converter      |

#### WE-EF LIGHTING USA, LLC

410-D Keystone Drive, 15086 Warrendale, PA 15086 - Phone: +1 724 742 0030

customersupport.usa@we-ef.com - <https://we-ef.com/us>

Subject to technical changes and errors. - Generated on 11/23/2024

**115-1566**

**LTM440 LED-FT**

**we-ef**

**Additional information**

---

|            |   |
|------------|---|
| Lifetime   | Ta=25°/40° L70B50 > 50000h  |
| BUG Rating | Please see individual Spec Sheets for classification of Backlight, Uplight and Glare. |
| Listings   | ETL listed. Suitable for wet locations.   |

---

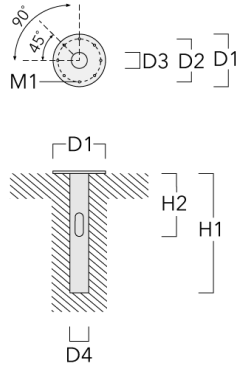
**WE-EF LIGHTING USA, LLC**

410-D Keystone Drive, 15086 Warrendale, PA 15086 - Phone: +1 724 742 0030  
customersupport.usa@we-ef.com - <https://we-ef.com/us>  
Subject to technical changes and errors. - Generated on 11/23/2024

**Mounting Accessories**

**Planted root**

| Description        | Part ID  | D1    | D2    | D3   | D4   | H1    | H2    | M1   | Weight(lb) |
|--------------------|----------|-------|-------|------|------|-------|-------|------|------------|
| Planted root ESV10 | 300-0949 | 16.34 | 13.39 | 4.96 | 5.24 | 39.37 | 19.69 | 0.71 | 55.78      |



**115-1566**

**LTM440 LED-FT**

**we-ef**

## **Optical Accessories**

### **Light shield**

| Description | Part ID  |
|-------------|----------|
| LS180-[C60] | 159-0321 |

**WE-EF LIGHTING USA, LLC**

410-D Keystone Drive, 15086 Warrendale, PA 15086 - Phone: +1 724 742 0030  
customersupport.usa@we-ef.com - <https://we-ef.com/us>

Subject to technical changes and errors. - Generated on 11/23/2024