

115-1588

ZFT440-FT LED

we-ef



Description

IP66. Post top luminaire with shielded light source and canopy highlight feature.

| | |
|---------------------------|--------------------|
| Weight | 13.00 lb |
| Light distribution | [C50] Type V Short |
| Light source | LED-FT-24W (2700K) |
| CRI | 80 |
| Power supply | electronic gear |
| LEDs | 1 |
| Rated input power | 27 W |
| Rated lumens (lm) | |
| LED Lumen | 3469.8 |
| Total Lumen | 3469.8 |
| Ta | 25 |
| Nominal Lumen (lm) | |
| LED Lumen | 4050 |
| Total Lumen | 4050 |
| Tc | 25 |

WE-EF LIGHTING USA, LLC

410-D Keystone Drive, 15086 Warrendale, PA 15086 - Phone: +1 724 742 0030

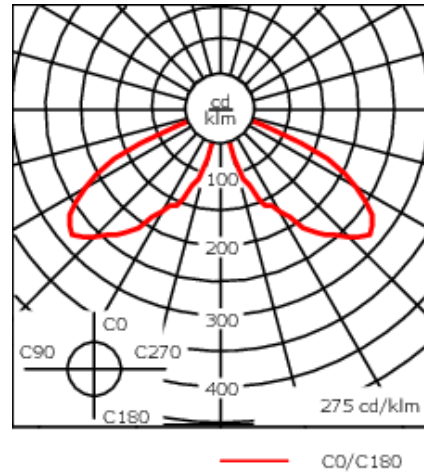
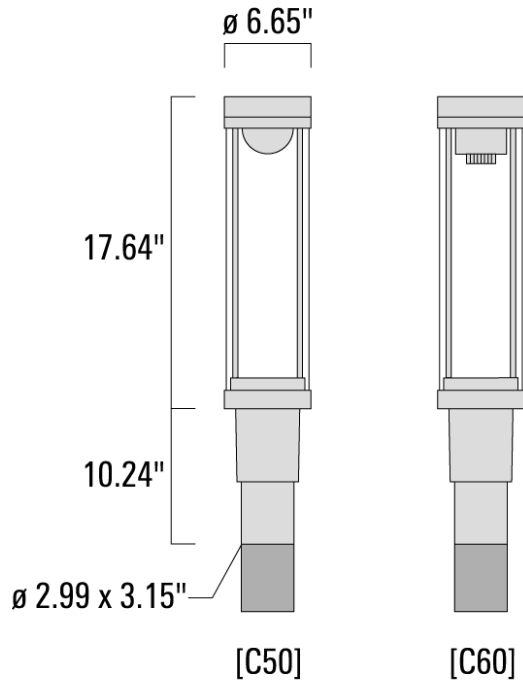
customersupport.usa@we-ef.com - <https://we-ef.com/us>

Subject to technical changes and errors. - Generated on 10/23/2024

115-1588

ZFT440-FT LED

we-ef



Specifications

Material description

| | |
|----------------------|---|
| Body | Marine-grade die-cast aluminium alloy |
| Lens | LED PMMA double lens |
| Colors | <div style="display: flex; flex-direction: column; gap: 5px;"> <div> RAL9004 Black</div> <div> RAL9007 Grey Metallic</div> <div> RAL9016 White</div> <div> RAL8019 Dark Bronze</div> </div> |
| Gasket | Silicone rubber gasket |
| Fasteners | PCS polymer coated stainless steel hardware |
| Ingress protection | IP66 |
| Impact resistance | IK09 |
| Corrosion resistance | 5CE |
| Windage | 0.133 m ² |

WE-EF LIGHTING USA, LLC

410-D Keystone Drive, 15086 Warrendale, PA 15086 - Phone: +1 724 742 0030

customersupport.usa@we-ef.com - <https://we-ef.com/us>

Subject to technical changes and errors. - Generated on 10/23/2024

115-1588

we-ef

ZFT440-FT LED

Electrical description

| | |
|------------------|---|
| Power supply | Integral [ECG] electronic LED driver in 120 - 277 volt. |
| Driver / Ballast | Integral EC electronic converter in thermally-separated compartment |
| Power factor | > 0.9 |

Additional information

| | |
|----------|--|
| Lifetime | Ta=25°/40° L70B50 > 50000h |
| Listings | Contact WE-EF USA for ETL/UL certification status. |

WE-EF LIGHTING USA, LLC

410-D Keystone Drive, 15086 Warrendale, PA 15086 - Phone: +1 724 742 0030

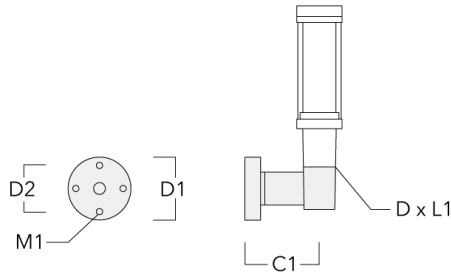
customersupport.usa@we-ef.com - <https://we-ef.com/us>

Subject to technical changes and errors. - Generated on 10/23/2024

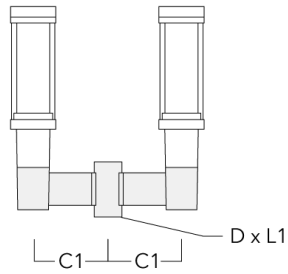
Mounting Accessories

Wall and pole brackets RZ

| Description | Part ID | C1 | D1 | D2 | D x L1 | M1 | Weight (lb) |
|------------------------------|----------|--------|------|-------|---------|-------|-------------|
| RZ0-400 Wall bracket, single | 115-1324 | 10.90" | 9.1" | 7.67" | 3" x 3" | 0.47" | 7.72 lbs |



| | | | | | | | |
|------------------------------|----------|--------|--|--|---------|--|----------|
| RZ2-400 Pole bracket, double | 115-1323 | 10.16" | | | 3" x 3" | | 10.8 lbs |
|------------------------------|----------|--------|--|--|---------|--|----------|



115-1588

ZFT440-FT LED

WE-EF LIGHTING USA, LLC

410-D Keystone Drive, 15086 Warrendale, PA 15086

Phone: +1 724 742 0030

customersupport.usa@we-ef.com

<https://we-ef.com/us>

Subject to technical changes and errors.

Generated on 10/23/2024

we-ef

A Fagerhult Group Company