

**ZFY250 LED-FT II**



**Description**

Available as an Impact-Rated Bollard (SC40, PU40, M30, M30 Shallow), specify impact designation with your order, options below.

IP66. Class I. IK10. Marine-grade, all aluminum construction. 5CE superior corrosion protection including PCS hardware. Silicone CCG® Controlled Compression Gasket. Polycarbonate main lens. CAD-optimized indirect optics for superior illumination and glare control. Integral driver in thermally separated compartment. Factory-installed LED circuit board. 0-10V Dimming comes standard with luminaire.

Pre-wired post complete with cable connecting box and fuse for mains connection.

Specify product with 7 Digit product code - Finish Color. Accessories, such as mounting, optical, and electrical, must be specified separately.

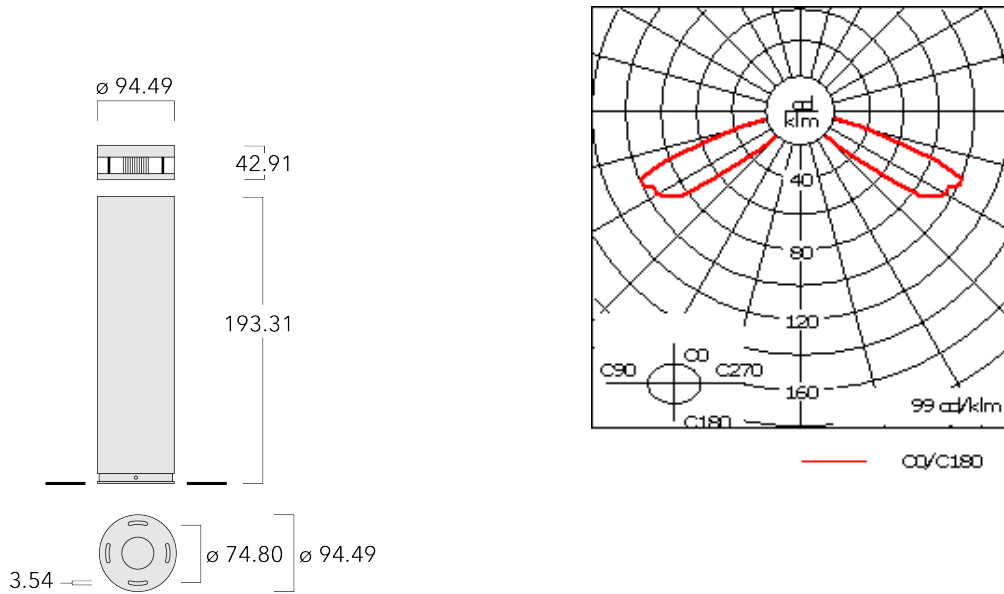
Example: XXX-XXXX-9004 (Black)  
+ XXX-XXXX (Accessory 1)

|                           |                                      |
|---------------------------|--------------------------------------|
| Weight                    | 32.85 lb                             |
| Light distribution        | asymmetric, forward-throw, one-sided |
| Light source              | LED-FT-17W (4000K)                   |
| CRI                       | 80                                   |
| Power supply              | electronic gear                      |
| LEDs                      | 1                                    |
| Rated input power         | 20 W                                 |
| <b>Rated lumens (lm)</b>  |                                      |
| LED Lumen                 | 400.3                                |
| Total Lumen               | 400.3                                |
| Ta                        | 25                                   |
| <b>Nominal Lumen (lm)</b> |                                      |
| LED Lumen                 | 3200                                 |
| Total Lumen               | 3200                                 |
| Tc                        | 25                                   |

**WE-EF LIGHTING USA, LLC**

410-D Keystone Drive, 15086 Warrendale, PA 15086 - Phone: +1 724 742 0030  
customersupport.usa@we-ef.com - <https://we-ef.com/us>  
Subject to technical changes and errors. - Generated on 11/23/2024

**ZFY250 LED-FT II**



**Specifications**

**Material description**

|                    |   |
|--------------------|---|
| Body               | Marine-grade, all aluminum construction   |
| Lens               | Polycarbonate   |
| Colors             | <div style="display: flex; flex-direction: column; gap: 5px;"> <div><span style="display: inline-block; width: 15px; height: 15px; background-color: black; margin-right: 5px;"></span> RAL9004 Black</div> <div><span style="display: inline-block; width: 15px; height: 15px; background-color: grey; margin-right: 5px;"></span> RAL9007 Grey Metallic</div> <div><span style="display: inline-block; width: 15px; height: 15px; background-color: white; margin-right: 5px;"></span> RAL9016 White</div> <div><span style="display: inline-block; width: 15px; height: 15px; background-color: darkgrey; margin-right: 5px;"></span> RAL8019 Dark Bronze</div> </div> |
| Gasket             | Silicone CCG® Controlled Compression Gasket   |
| Fasteners          | PCS Polymer Coated Stainless Steel Hardware   |
| Ingress protection | IP66  |
| Impact resistance  | IK10  |

**Electrical description**

|                  |   |
|------------------|---|
| Power supply     | Integral [ECG] electronic driver 120V-277V. 0-10V dimmable, to be specified with order. |
| Driver / Ballast | Integral EC electronic converter  |
| Surge protection | Integral 10kV Surge Protector   |

**WE-EF LIGHTING USA, LLC**

410-D Keystone Drive, 15086 Warrendale, PA 15086 - Phone: +1 724 742 0030

customersupport.usa@we-ef.com - <https://we-ef.com/us>

Subject to technical changes and errors. - Generated on 11/23/2024

**117-0204+117-0228**

**we-ef**

**ZFY250 LED-FT II**

**Additional information**

---

Lifetime Ta=25°/40° L70B50 > 50000h

Listings ETL, UL-1598, CSA-C22.2#250.0. Suitable for Wet Locations.

---

**WE-EF LIGHTING USA, LLC**

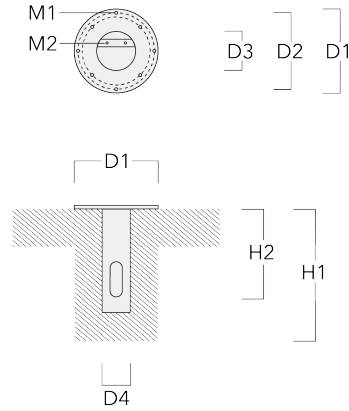
410-D Keystone Drive, 15086 Warrendale, PA 15086 - Phone: +1 724 742 0030  
customersupport.usa@we-ef.com - <https://we-ef.com/us>

Subject to technical changes and errors. - Generated on 11/23/2024

**Mounting Accessories**

**Planted root**

| Description       | Part ID  | D1   | D2   | D3   | D4   | H1    | H2    | M1  | M2  | Weight (lb) |
|-------------------|----------|------|------|------|------|-------|-------|-----|-----|-------------|
| Planted root ESV4 | 300-0464 | 8.66 | 7.48 | 4.25 | 4.02 | 15.75 | 13.78 | .35 | .24 | 9.48        |



**Optical Accessories**

**Light shield**

---

| Description | Part ID  | H1   | Weight (lb) |
|-------------|----------|------|-------------|
| LS180 ZFY   | 117-0228 | 1.93 | 0.07        |

---

