

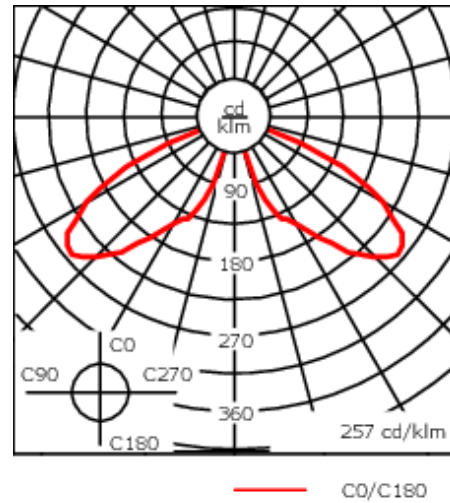
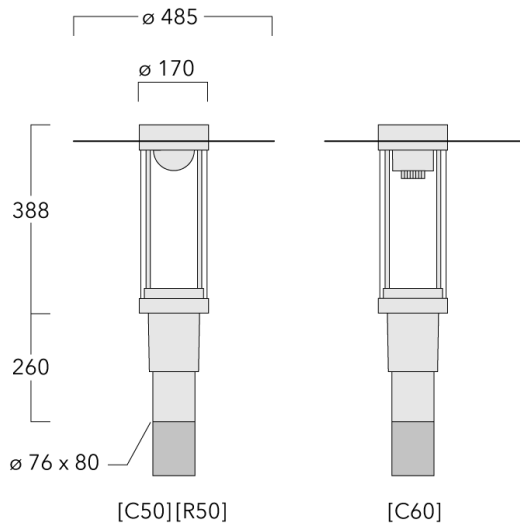


### Description

IP66, Class I. Class II on request. IK09. Marine-grade, die-cast aluminium alloy. 5CE superior corrosion protection including PCS hardware. Silicone CCG® Controlled Compression Gasket. PMMA main lens. Integral EC electronic converter in thermally separated compartment. CAD-optimised indirect optics for superior illumination and glare control. Factory installed LED circuit board. The luminaire is factory-sealed and does not need to be opened during installation.

|                           |   |
|---------------------------|---|
| Weight                    | 7.70 kg                                 |
| Light distribution        | controlled symmetric distribution [C50] |
| Light source              | LED-FT-17W / 500 mA - 2700 K            |
| CRI                       | 80                                      |
| Power supply              | EC                                      |
| LEDs                      | 1                                       |
| Rated input power         | 20 W                                    |
| <b>Rated lumens (lm)</b>  |   |
| LED Lumen                 | 2226.4                                  |
| Total Lumen               | 2226.4                                  |
| Ta                        | 25                                      |
| <b>Nominal Lumen (lm)</b> |   |
| LED Lumen                 | 2935                                    |
| Total Lumen               | 2935                                    |
| Tc                        | 25                                      |

## ZAT430-FT LED



## Specifications

### Material description

|                      |  |
|----------------------|--|
| Body                 | Marine-grade, die-cast aluminium alloy   |
| Lens                 | PMMA   |
| Colours              | <div style="display: flex; align-items: center;"> <div style="width: 20px; height: 20px; background-color: black; margin-right: 5px;"></div> <div>RAL9004 Signal black</div> </div> <div style="display: flex; align-items: center; margin-top: 5px;"> <div style="width: 20px; height: 20px; background-color: #cccccc; margin-right: 5px;"></div> <div>RAL9006 White aluminium</div> </div> <div style="display: flex; align-items: center; margin-top: 5px;"> <div style="width: 20px; height: 20px; background-color: #808080; margin-right: 5px;"></div> <div>RAL9007 Grey aluminium</div> </div> <div style="display: flex; align-items: center; margin-top: 5px;"> <div style="width: 20px; height: 20px; background-color: #333333; margin-right: 5px;"></div> <div>RAL7016 Anthracite grey</div> </div> <div style="display: flex; align-items: center; margin-top: 5px;"> <div style="width: 20px; height: 20px; background-color: #e0e0e0; margin-right: 5px;"></div> <div>RAL9016 Traffic white</div> </div> |
| Gasket               | Silicone CCG® Controlled Compression Gasket  |
| Fasteners            | PCS Polymer Coated Stainless Steel Hardware  |
| Ingress protection   | IP66   |
| Impact resistance    | IK09   |
| Corrosion resistance | 5CE  |
| Windage              | 0.130 m <sup>2</sup>   |

### Electrical description

|                  |                                  |
|------------------|----------------------------------|
| Power supply     | 220-240V / 50-60 Hz              |
| Driver / Ballast | Integral EC electronic converter |
| Power factor     | > 0.9                            |
| Surge protection | 6/6 kV (optional SP10)           |

**Additional information**

---

Lifetime Ta=25° L70B50 > 50000h

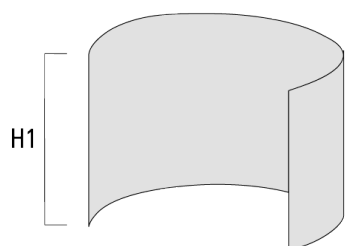
Energy efficiency class C-D (Light source)

---

## Optical Accessories

### Light shield

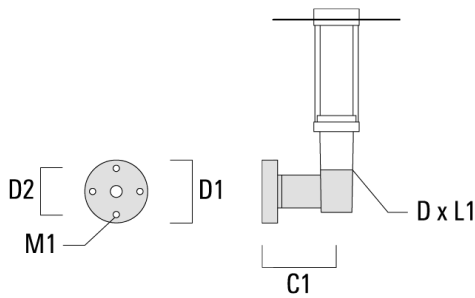
| Description | Part ID  | H1  |
|-------------|----------|-----|
| LS180-[C60] | 159-0321 | 120 |



**Mounting Accessories**

**Wall and pole brackets RZ**

| Description                  | Part ID  | C1  | D1  | D2  | D x L1  | M1 | Weight (kg) |
|------------------------------|----------|-----|-----|-----|---------|----|-------------|
| RZ0-400 Wall bracket, single | 115-1324 | 277 | 231 | 195 | 76 x 80 | 12 | 3.50        |



|                              |          |     |  |  |          |  |      |
|------------------------------|----------|-----|--|--|----------|--|------|
| RZ2-400 Pole bracket, double | 115-1323 | 258 |  |  | 76 x 100 |  | 4.90 |
|------------------------------|----------|-----|--|--|----------|--|------|

